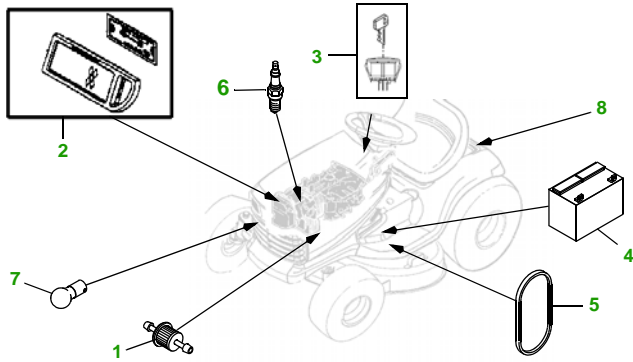


# MAINTENANCE REMINDER SHEET

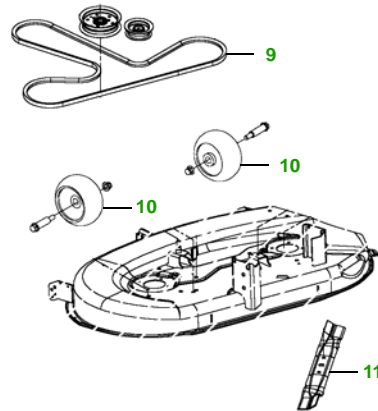
## 102 with 42" EdgeDeck

### Lawn Tractor



Tractor S/N

### 42" Edge Deck



Deck S/N

Key	Part No.	Description
1	AM116304	FUEL FILTER - IN-LINE
	GY20709	FUEL FILTER (PACKAGE)
2	GY20573	AIR FILTER KIT (PACKAGE)
3	GY20680	KEY (PACKAGE)
	GY20074	IGNITION SWITCH
4	TY23017	BATTERY
5	GX22036	BELT - TRACTION DRIVE

Key	Part No.	Description
6	M78543	SPARK PLUG
7	AD2062R	HEADLIGHT BULB
8	GX22166	FUEL CAP
9	GX20072	BELT (PACKAGE)
10	GX10168	GAGE WHEEL
11	AM137333	KIT - 3N1 BLADE - STANDARD
	GY20850	BLADE - (PKG) (PACKAGED QTY - 2 BLADES)

#### Service Recommendations

#### "As Needed" Parts

Qty	Part No	Item	Qty or Capacity	Change Interval in Hours
9	TY22029	1 Qt. Engine Oil Turf Gard® 10W30	1.5 qt	8/50/100/150/200/250
1	TY22076	2 1/2 Gal. Engine Oil Turf Gard® 10W30		
5	GY20573	Air Filter Kit	1	50/100/150/200/250
5	AM116304	Fuel Filter	1	50/100/150/200/250
5	M78543	Spark Plug	1	50/100/150/200/250
2	TY6341	JD Multi Purpose SD Polyurea Grease		As Needed

Qty	Part No	Item
1	AM137333	Kit - 3N1 Blade - Standard
1	GY20850	Blade Kit
1	GY20072	Belt - Mower deck
1	GX22036	Belt - Traction Drive
1	GY20680	Key Padded
1	GX22166	Fuel Cap
1	TY15272	Mower Deck Leveling Gauge
1	TY15410	Grease Gun

#### FOR ON-LINE PARTS ASSISTANCE:

• [www.deere.com](http://www.deere.com)

- Click on **Residential**
- Click on **Parts** to:
- Click on...



- **View Parts Catalogs** to look-up part numbers
- **JDParts** to order parts on-line from your dealer
- **Valuable Parts Coupons** for discounts at your dealer
- **Coolants, Oils & Lubricants** to learn about our quality fluids
- **Replacement Parts - The Quality Story** tells you 'why' John Deere branded parts are superior

#### FOR ON-LINE SERVICE ASSISTANCE:

• [www.deere.com](http://www.deere.com)

- Click on **Residential**
- Click on **Services & Support**
- Click on **Service Solutions**



- Click on **Mobile Maintenance** for Ready To Mow AT HOME Service
- Click on **John Deere Service Plans** for extended warranty and free pick-up and delivery of your tractor

#### OTHER SITES:

• Home and Workshop Products

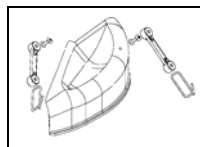
- [www.deere.com](http://www.deere.com)
- Click on **Residential**
- Under "All Residential Products" click on **Home & Workshop Products**

• **John Deere Credit**

- Go to [www.johndeerecredit.com](http://www.johndeerecredit.com) for John Deere Revolving Credit to find your finance solution

• **John Deere Gifts!**

- Go to [www.johndeeregifts.com](http://www.johndeeregifts.com) to stop by John Deere's "General Store" !!



Mulch Cover Kit....GY00115 (PACKAGE)

Dealer Name  
Contact Name  
Dealer Phone No



#### Home Maintenance Kit

Unit	Kit Number
102	LG251

