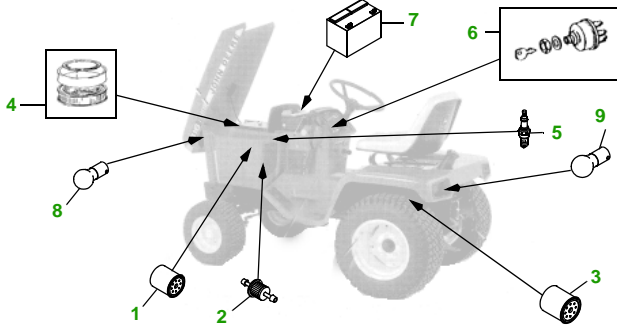


# MAINTENANCE REMINDER SHEET

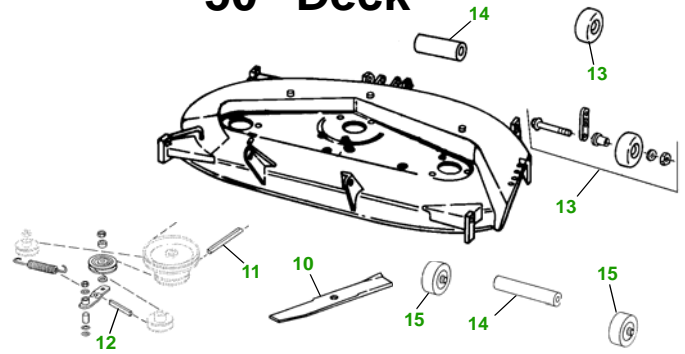
## 316 with 50" Deck

### Lawn & Garden Tractor



Tractor S/N

### 50" Deck



Deck S/N

Key	Part No.	Description
1	AM101207	ENGINE OIL FILTER
2	AM116304	FUEL FILTER IN-LINE
3	AM39653	TRANSAXLE OIL FILTER
4	HE1401496	FOAM AIR FILTER ELEMENT
	HE1402628	PAPER AIR FILTER ELEMENT
5	AM132420	SPARK PLUG
6	M40718	KEY
	AM38227	IGNITION SWITCH
7	TY6192	BATTERY (DRY)
8	AD2062R	HEADLIGHT BULB

Key	Part No.	Description
9	AR62407	TAIL LIGHT BULB
10	M86209	BLADE - STANDARD
	M76461	BLADE - MED LIFT
11	M89112	BELT - PRIMARY
12	M41668	BELT - SECONDARY
13	AM116299	KIT - GAGE WHEEL - FRONT
	M84690	GAGE WHEEL - FRONT
14	M113955	ROLLER - ALSO ORDER M114002
15	AM32639	GAGE WHEEL - REAR

#### Service Recommendations

#### "As Needed" Parts

Qty	Part No	Item	Qty or Capacity	Change Interval in Hours
10	AM101207	Oil Filter	1	Every 25 hours
2	TY22072	2 1/2 Gal Torq Gard® SAE 30 Engine Oil	1.6 qt	Every 25 hours
2	AM39653	Transaxle Oil Filter	1	50/200
2	TY22000	1 Gal JD Low Viscosity Hygard	5.0 qt	200
1	AM116304	Fuel Filter	1	200
2	TY6333	JD Moly High Temp Grease		As Needed

Qty	Part No	Item
1	HE1401496	Air Filter - Foam
1	HE1402628	Air Filter - Paper
2	AM132420	Spark Plug
3	M86209	Blade - Standard
3	M76461	Blade - Med Lift
1	M89112	Belt - Primary
1	M41668	Belt - Secondary
1	M40718	Key
1	AM39206	Fuel Cap and Gauge
1	TY130907	Mower Deck Leveling Gauge
1	TY26183	Grease Gun

#### FOR ON-LINE PARTS ASSISTANCE:

• [www.deere.com](http://www.deere.com)

- Click on **Residential**
- Click on **Parts** to:
- Click on...



- **View Parts Catalogs** to look-up part numbers
- **JDParts** to order parts on-line from your dealer
- **Valuable Parts Coupons** for discounts at your dealer
- **Coolants, Oils & Lubricants** to learn about our quality fluids
- **Replacement Parts - The Quality Story** tells you 'why' John Deere branded parts are superior

#### FOR ON-LINE SERVICE ASSISTANCE:

• [www.deere.com](http://www.deere.com)

- Click on **Residential**
- Click on **Services & Support**
- Click on **Service Solutions**



- Click on **Mobile Maintenance** for Ready To Mow AT HOME Service
- Click on **John Deere Service Plans** for extended warranty and free pick-up and delivery of your tractor

#### OTHER SITES:

• Home and Workshop Products

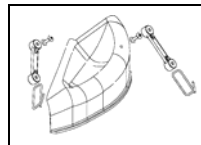
- [www.deere.com](http://www.deere.com)
- Click on **Residential**
- Under "All Residential Products" click on **Home & Workshop Products**

• **John Deere Credit**

- Go to [www.johndeerecredit.com](http://www.johndeerecredit.com) for John Deere Revolving Credit to find your finance solution

• **John Deere Gifts!**

- Go to [www.johndeeregifts.com](http://www.johndeeregifts.com) to stop by John Deere's "General Store" !!



Mulch Kit..... N/A

Dealer Name

Contact Name

Dealer Phone No



#### Home Maintenance Kit

Unit	Kit Number
316	N/A

