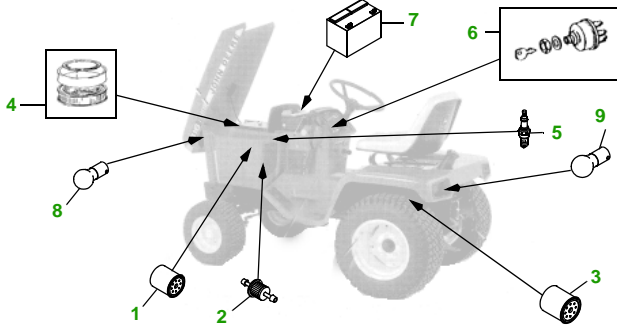


MAINTENANCE REMINDER SHEET

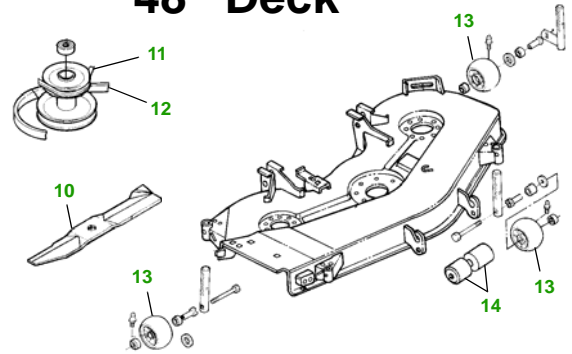
318 with 48" Deck

Lawn & Garden Tractor



Tractor S/N

48" Deck



Deck S/N

| Key | Part No. | Description |
|-----|-----------|--------------------------|
| 1 | AM101207 | ENGINE OIL FILTER |
| 2 | AM116304 | FUEL FILTER IN-LINE |
| 3 | AM39653 | TRANSAXLE OIL FILTER |
| 4 | HE1401496 | FOAM AIR FILTER ELEMENT |
| | HE1401912 | PAPER AIR FILTER ELEMENT |
| 5 | AM132420 | SPARK PLUG |
| 6 | M40718 | KEY |
| | AM38227 | IGNITION SWITCH |
| 7 | TY6192 | BATTERY (DRY) |
| 8 | AD2062R | HEADLIGHT BULB |

| Key | Part No. | Description |
|-----|----------|-------------------|
| 9 | A62407 | TAIL LIGHT BULB |
| 10 | M115495 | BLADE - STANDARD |
| | M135589 | BLADE - HIGH LIFT |
| | M113517 | BLADE - MULCHING |
| 11 | M119872 | BELT - PRIMARY |
| 12 | M119685 | BELT - SECONDARY |
| 13 | M111489 | GAGE WHEEL- FRONT |
| | AM115488 | GAGE WHEEL- REAR |
| 14 | M113955 | ROLLER |

Service Recommendations

"As Needed" Parts

| Qty | Part No | Item | Qty or Capacity | Change Interval in Hours |
|-----|----------|--|-----------------|--------------------------|
| 10 | AM101207 | Oil Filter | 1 | 5/50/100/200 |
| 2 | TY22072 | 2 1/2 Gal Torq Gard® SAE 30 Engine Oil | 1.75 qt | 5/50/100/200 |
| 2 | AM39653 | Transaxle Oil Filter | 1 | 50/200 |
| 2 | TY22000 | 1 Gal JD Low Viscosity Hygard | 5.0 qt | 200 |
| 1 | AM116304 | Fuel Filter | 1 | 200 |
| 2 | TY6333 | JD Moly High Temp Grease | | As Needed |

| Qty | Part No | Item |
|-----|-----------|---------------------------|
| 1 | HE1401496 | Air Filter - Foam |
| 1 | HE1401912 | Air Filter - Paper |
| 2 | AM132420 | Spark Plug |
| 3 | M115495 | Blade - Standard |
| 3 | M135589 | Blade - High Lift |
| 3 | M113517 | Blade - Mulching |
| 1 | M119872 | Belt - Primary |
| 1 | M119685 | Belt - Secondary |
| 1 | M40718 | Key |
| 1 | AM39206 | Fuel Cap and Gauge |
| 1 | TY130907 | Mower Deck Leveling Gauge |
| 1 | TY26183 | Grease Gun |

FOR ON-LINE PARTS ASSISTANCE:

• www.deere.com

- Click on **Residential**
- Click on **Parts** to:
- Click on...



- **View Parts Catalogs** to look-up part numbers
- **JDParts** to order parts on-line from your dealer
- **Valuable Parts Coupons** for discounts at your dealer
- **Coolants, Oils & Lubricants** to learn about our quality fluids
- **Replacement Parts - The Quality Story** tells you 'why' John Deere branded parts are superior

FOR ON-LINE SERVICE ASSISTANCE:

• www.deere.com

- Click on **Residential**
- Click on **Services & Support**
- Click on **Service Solutions**



- Click on **Mobile Maintenance** for Ready To Mow AT HOME Service
- Click on **John Deere Service Plans** for extended warranty and free pick-up and delivery of your tractor

OTHER SITES:

• Home and Workshop Products

• www.deere.com

• Click on **Residential**

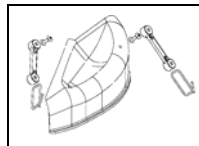
• Under "All Residential Products" click on **Home & Workshop Products**

• **John Deere Credit**

• Go to www.johndeerecredit.com for John Deere Revolving Credit to find your finance solution

• **John Deere Gifts!**

• Go to www.johndeeregifts.com to stop by John Deere's "General Store" !!



Tricycler Mulch Kit BM17868

Dealer Name

Contact Name

Dealer Phone No



Home Maintenance Kit

| Unit | Kit Number |
|------|------------|
| 318 | LG181 |



JOHN DEERE