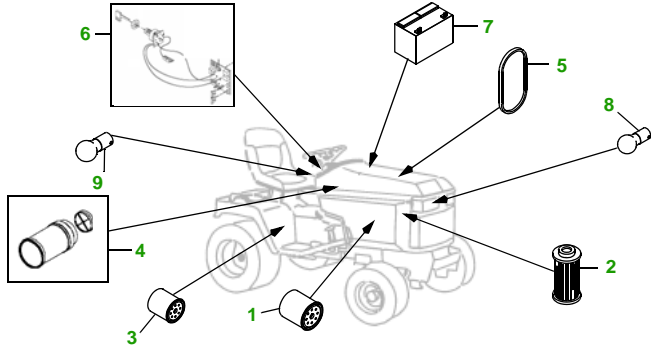


# MAINTENANCE REMINDER SHEET

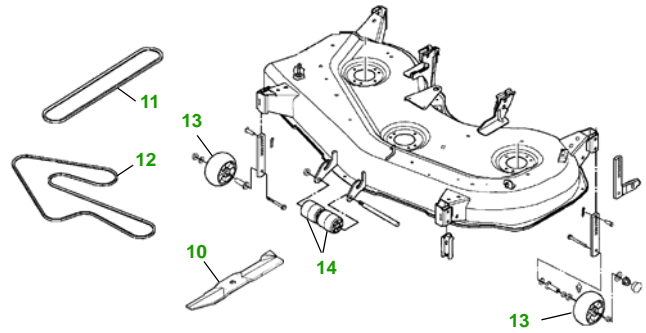
## 355D with 48C Deck

### Lawn & Garden Tractor



Tractor S/N

### 48" Convertible Deck



Deck S/N

Key	Part No.	Description
1	M806418	ENGINE OIL FILTER
2	M807152	FUEL FILTER
3	AM120916	TRANSAXLE OIL FILTER
4	AM130295	AIR FILTER ELEM (SOLD AS SET ONLY)
5	M130808	BELT - TRACTION DRIVE
6	AM131841	KEY
	AM132500	IGNITION MODULE
7	TY25876	BATTERY (DRY)
8	AD2062R	HEADLIGHT BULB

Key	Part No.	Description
9	AR62407	CONSOLE LIGHT BULB
10	M145476	BLADE
	M127673	BLADE - MULCHING
11	M143019	BELT - PRIMARY
	M110313	BELT - SECONDARY
12	AM133602	KIT - GAGE WHEEL- FRONT
	AM125172	KIT - GAGE WHEEL - REAR
13	M113955	ROLLER

#### Service Recommendations

#### "As Needed" Parts

Qty	Part No	Item	Qty or Capacity	Change Interval in Hours
2	M806418	Oil Filter	1	50/100
6	TY22064	1 Qt Torq Gard® 5W30 Engine Oil	2.4 qt	50/100
1	AM120916	Transaxle Oil Filter	1	50
2	TY22000	1 Gal Low Viscosity Hygard	4.7 qt	50
1	M807152	Fuel Filter	1	200
2	TY6341	JD Multi Purpose SD Polyurea Grease		As Needed

Qty	Part No	Item
1	AM130295	Air Filter Elem (Sold as set only)
3	M145176	Blade - Standard
3	M127673	Blade - Mulching
1	M130808	Belt - Traction Drive
1	M143019	Belt - Primary
1	M110313	Belt - Secondary
1	AM131841	Key
1	AM123508	Fuel Cap
1	TY130907	Mower Deck Leveling Gauge
1	TY26183	Grease Gun

#### FOR ON-LINE PARTS ASSISTANCE:

• [www.deere.com](http://www.deere.com)

- Click on **Residential**
- Click on **Parts** to:
- Click on...



- **View Parts Catalogs** to look-up part numbers
- **JDParts** to order parts on-line from your dealer
- **Valuable Parts Coupons** for discounts at your dealer
- **Coolants, Oils & Lubricants** to learn about our quality fluids
- **Replacement Parts - The Quality Story** tells you 'why' John Deere branded parts are superior

#### FOR ON-LINE SERVICE ASSISTANCE:

• [www.deere.com](http://www.deere.com)

- Click on **Residential**
- Click on **Services & Support**
- Click on **Service Solutions**



- Click on **Mobile Maintenance** for Ready To Mow AT HOME Service
- Click on **John Deere Service Plans** for extended warranty and free pick-up and delivery of your tractor

#### OTHER SITES:

• Home and Workshop Products

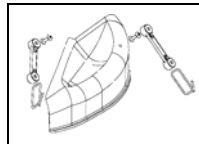
- [www.deere.com](http://www.deere.com)
- Click on **Residential**
- Under "All Residential Products" click on **Home & Workshop Products**

• **John Deere Credit**

- Go to [www.johndeerecredit.com](http://www.johndeerecredit.com) for John Deere Revolving Credit to find your finance solution

• **John Deere Gifts!**

- Go to [www.johndeeregifts.com](http://www.johndeeregifts.com) to stop by John Deere's "General Store" !!



Tricyclic Mulch Kit ..... BM19868

Dealer Name  
Contact Name  
Dealer Phone No



#### Home Maintenance Kit

Unit	Kit Number
355D	LG179



JOHN DEERE