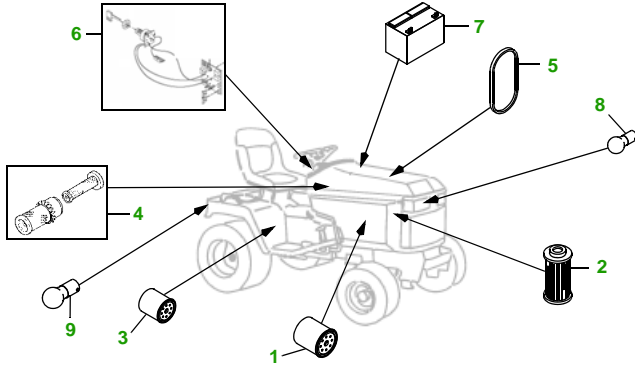


MAINTENANCE REMINDER SHEET

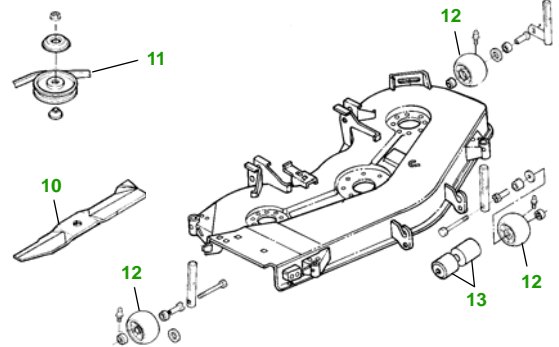
455 with 54" Deck

Lawn & Garden Tractor



Tractor S/N

54" Deck



Deck S/N

| Key | Part No. | Description |
|-----|----------------|----------------------------|
| 1 | M806418..... | ENGINE OIL FILTER |
| 2 | CH15553 | FUEL FILTER |
| 3 | AM116156 | TRANSAXLE OIL FILTER |
| 4 | AM108243 | AIR FILTER ELEMENT - OUTER |
| | M94734..... | AIR FILTER ELEMENT - INNER |
| 5 | M800347..... | BELT - FAN |
| 6 | AM131841 | KEY |
| | AM120819 | IGNITION SWITCH |
| 7 | TY25881..... | BATTERY (DRY) |

| Key | Part No. | Description |
|-----|----------------|---------------------------|
| 8 | AD2062R | HEADLIGHT BULB |
| 9 | AR62407 | WARNING LIGHT BULB |
| 10 | M115496 | BLADE - STANDARD |
| | M135590..... | BLADE - HIGH LIFT |
| 11 | M112269 | BELT |
| 12 | AM117478..... | KIT - GAGE WHEEL - YELLOW |
| | AM125172 | KIT - GAGE WHEEL - BLACK |
| 13 | M113955 | ROLLER |

Service Recommendations

"As Needed" Parts

| Qty | Part No | Item | Qty or Capacity | Change Interval in Hours |
|-----|----------|-------------------------------------|--------------------------|--------------------------|
| 2 | M806418 | Oil Filter | 1 | 50/200 |
| 6 | TY22064 | 1 Qt Torq Gard® 5W30 Engine Oil | 3.0 qt | 50/200 |
| 2 | AM116156 | Transaxle Oil Filter | 1 | 50/200 |
| 4 | TY22000 | 1 Gal Low Viscosity Hygard | 7.0 qt 2WS 6.0 qt AWS | 50/200 |
| 1 | CH15553 | Fuel Filter | 1 | 250 |
| 2 | TY6341 | JD Multi Purpose SD Polyurea Grease | | As Needed |

| Qty | Part No | Item |
|-----|----------|----------------------------|
| 1 | AM108243 | Air Filter Element - Outer |
| 1 | M94734 | Air Filter Element - Inner |
| 3 | M115496 | Blade - Standard |
| 3 | M135590 | Blade - High Lift |
| 1 | M800347 | Belt - Fan |
| 1 | M112269 | Belt - Mower |
| 1 | AM131841 | Key |
| 1 | AMT1274 | Fuel Cap |
| 1 | TY130907 | Mower Deck Leveling Gauge |
| 1 | TY26183 | Grease Gun |

FOR ON-LINE PARTS ASSISTANCE:

• www.deere.com

- Click on **Residential**
- Click on **Parts** to:
- Click on...



- **View Parts Catalogs** to look-up part numbers
- **JDParts** to order parts on-line from your dealer
- **Valuable Parts Coupons** for discounts at your dealer
- **Coolants, Oils & Lubricants** to learn about our quality fluids
- **Replacement Parts - The Quality Story** tells you 'why' John Deere branded parts are superior

FOR ON-LINE SERVICE ASSISTANCE:

• www.deere.com

- Click on **Residential**
- Click on **Services & Support**
- Click on **Service Solutions**



- Click on **Mobile Maintenance** for Ready To Mow AT HOME Service
- Click on **John Deere Service Plans** for extended warranty and free pick-up and delivery of your tractor

OTHER SITES:

• Home and Workshop Products

• www.deere.com

• Click on **Residential**

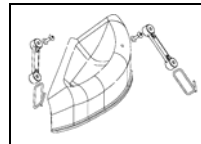
• Under "All Residential Products" click on **Home & Workshop Products**

• John Deere Credit

• Go to www.johndeerecredit.com for John Deere Revolving Credit to find your finance solution

• John Deere Gifts!!

• Go to www.johndeeregifts.com to stop by John Deere's "General Store" !!



Tricycler Mulch Kit.....BM17869

Dealer Name

Contact Name

Dealer Phone No



Home Maintenance Kit

| Unit | Kit Number |
|------|------------|
| 455 | LG189 |



JOHN DEERE