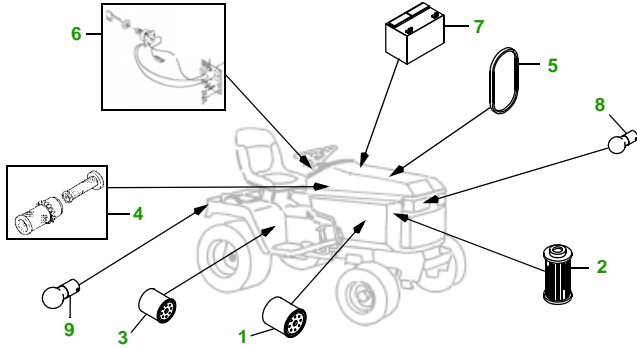


# MAINTENANCE REMINDER SHEET

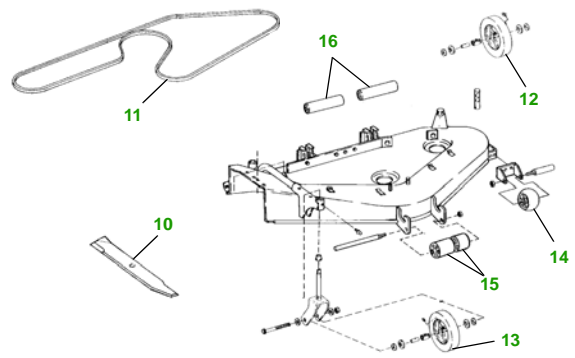
## 455 with 60" Deck

### Lawn & Garden Tractor



Tractor S/N

### 60" Deck



Deck S/N

Key	Part No.	Description
1	M806418.....	ENGINE OIL FILTER
2	CH15553 .....	FUEL FILTER
3	AM116156 .....	TRANSAXLE OIL FILTER
4	AM108243 .....	AIR FILTER ELEMENT - OUTER
	M94734.....	AIR FILTER ELEMENT - INNER
5	M800347.....	BELT - FAN
6	AM131841 .....	KEY
	AM120819 .....	IGNITION SWITCH
7	TY25881 .....	BATTERY (DRY)
8	AD2062R .....	HEADLIGHT BULB

Key	Part No.	Description
9	AR62407 .....	WARNING LIGHT BULB
10	M141785 .....	BLADE - STANDARD
	M119206 .....	BLADE - MULCHING
11	M120381 .....	BELT
12	AM107561 .....	CASTER WHEEL KIT
13	AM107560 .....	CASTER WHEEL KIT
14	M115245 .....	WHEEL
15	M113955 .....	ROLLER - FRONT
16	AM101044 .....	ROLLER - REAR

### Service Recommendations

### "As Needed" Parts

Qty	Part No	Item	Qty or Capacity	Change Interval in Hours
2	M806418	Oil Filter	1	50/200
6	TY22064	1 Qt Torq Gard® 5W30 Engine Oil	3.0 qt	50/200
2	AM116156	Transaxle Oil Filter	1	50/200
4	TY22000	1 Gal Low Viscosity Hygard	7.0 qt 2WS 6.0 qt AWS	50/200
1	CH15553	Fuel Filter	1	250
2	TY6341	JD Multi Purpose SD Polyurea Grease		As Needed

Qty	Part No	Item
1	AM108243	Air Filter Element - Outer
1	M94734	Air Filter Element - Inner
3	M141785	Blade - Standard
3	M119206	Blade - Mulching
1	M800347	Belt - Fan
1	M120381	Belt - Mower
1	AM131841	Key
1	AMT1274	Fuel Cap
1	TY130907	Mower Deck Leveling Gauge
1	TY26183	Grease Gun

### FOR ON-LINE PARTS ASSISTANCE:

• [www.deere.com](http://www.deere.com)

- Click on **Residential**
- Click on **Parts** to:
- Click on...



- **View Parts Catalogs** to look-up part numbers
- **JDParts** to order parts on-line from your dealer
- **Valuable Parts Coupons** for discounts at your dealer
- **Coolants, Oils & Lubricants** to learn about our quality fluids
- **Replacement Parts - The Quality Story** tells you 'why' John Deere branded parts are superior

### FOR ON-LINE SERVICE ASSISTANCE:

• [www.deere.com](http://www.deere.com)

- Click on **Residential**
- Click on **Services & Support**
- Click on **Service Solutions**



- Click on **Mobile Maintenance** for Ready To Mow AT HOME Service
- Click on **John Deere Service Plans** for extended warranty and free pick-up and delivery of your tractor

### OTHER SITES:

• Home and Workshop Products

• [www.deere.com](http://www.deere.com)

• Click on **Residential**

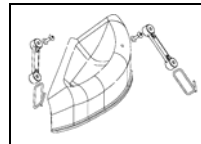
• Under "All Residential Products" click on **Home & Workshop Products**

• John Deere Credit

• Go to [www.johndeerecredit.com](http://www.johndeerecredit.com) for John Deere Revolving Credit to find your finance solution

• John Deere Gifts!!

• Go to [www.johndeeregifts.com](http://www.johndeeregifts.com) to stop by John Deere's "General Store" !!



Tricycler Mulch Kit ..... BM17878

Dealer Name

Contact Name

Dealer Phone No



### Home Maintenance Kit

Unit	Kit Number
455	LG189



JOHN DEERE