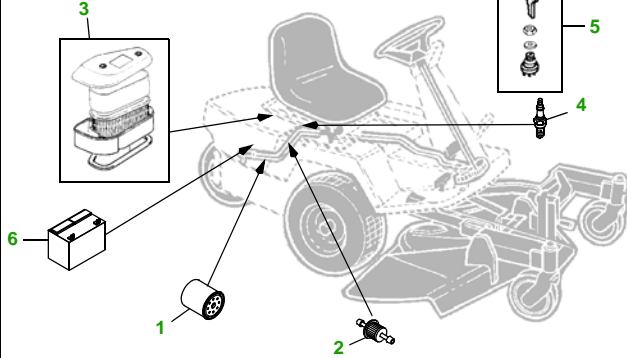


# MAINTENANCE REMINDER SHEET

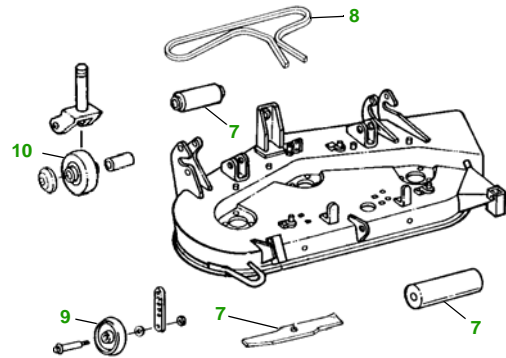
## F510 with 46" Deck

### Transport



### Transport S/N

### 46" Deck



### Deck S/N

Key	Part No.	Description
1	AM107423	ENGINE/TRANSMISSION OIL FILTER
2	AM38708	FUEL FILTER (S/N —100000)
	AM116304	FUEL FILTER (S/N 100001—)
3	M70127	FOAM AIR FILTER ELEMENT
	M97211	PAPER AIR FILTER ELEMENT
4	M802138	SPARK PLUG
5	AM131841	KEY
	TCA15075	IGNITION SWITCH

Key	Part No.	Description
6	TY25221	BATTERY (DRY)
7	AM31100	BLADE - LOW LIFT
8	M95087	BELT
9	M89339	GAGE WHEEL - 1 PER DECK
10	AM107370	CASTER WHEEL (S/N —101049)
	AM115510	CASTER WHEEL (S/N 101050—)

### Service Recommendations

Qty	Part No	Item	Qty or Capacity	Change Interval in Hours
6	AM107423	Oil Filter		5/50/100/150/200/250
15	TY25381	1 Qt Plus 4 @ 5W30 Engine Oil	2.5 qt	5/50/100/150/200/250
2	TY6341	JD Multi Purpose SD Polyurea Grease		As Needed

### "As Needed" Parts

Qty	Part No	Item
1	M70127	Air Filter Element - Foam
1	M97211	Air Filter Element - Paper
1	AM38708	Fuel Filter (S/N —100000)
	AM116304	Fuel Filter (S/N 100001—)
1	M802138	Spark Plug
3	AM31100	Blade
1	M95121	Belt
1	AM131841	Key
1	AM108138	Fuel Cap
1	TY130907	Mower Deck Leveling Gauge
1	TY26183	Grease Gun

### FOR ON-LINE PARTS ASSISTANCE:

• [www.deere.com](http://www.deere.com)

- Click on **Residential**
- Click on **Parts** to:
- Click on...



- **View Parts Catalogs** to look-up part numbers
- **JDParts** to order parts on-line from your dealer
- **Valuable Parts Coupons** for discounts at your dealer
- **Coolants, Oils & Lubricants** to learn about our quality fluids
- **Replacement Parts - The Quality Story** tells you 'why' John Deere branded parts are superior

### FOR ON-LINE SERVICE ASSISTANCE:

• [www.deere.com](http://www.deere.com)

- Click on **Residential**
- Click on **Services & Support**
- Click on **Service Solutions**



- Click on **Mobile Maintenance** for Ready To Mow AT HOME Service
- Click on **John Deere Service Plans** for extended warranty and free pick-up and delivery of your tractor

### OTHER SITES:

• Home and Workshop Products

• [www.deere.com](http://www.deere.com)

• Click on **Residential**

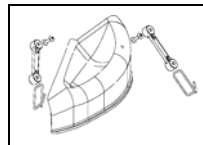
• Under "All Residential Products" click on **Home & Workshop Products**

• **John Deere Credit**

• Go to [www.johndeerecredit.com](http://www.johndeerecredit.com) for John Deere Revolving Credit to find your finance solution

• **John Deere Gifts!!**

• Go to [www.johndeeregifts.com](http://www.johndeeregifts.com) to stop by John Deere's "General Store" !!



Mulch Kit..... N/A

Dealer Name

Contact Name

Dealer Phone No



### Home Maintenance Kit

Unit	Kit Number
F510	N/A



JOHN DEERE