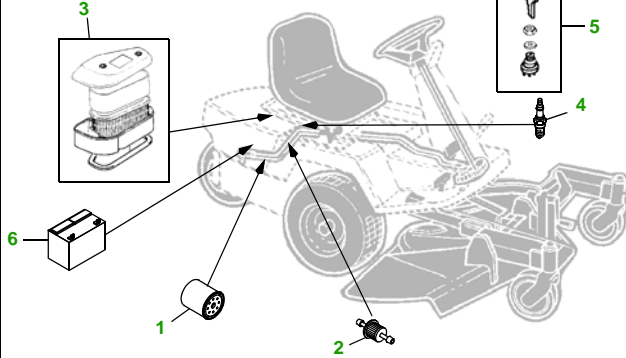


MAINTENANCE REMINDER SHEET

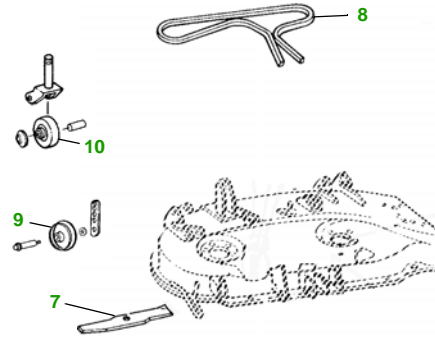
F525 with 38" Deck

Transport



Transport S/N

38" Deck



Deck S/N

Key	Part No.	Description
1	AM107423	ENGINE/TRANSMISSION OIL FILTER
2	AM107314	FUEL FILTER (S/N —100000)
	AM116304	FUEL FILTER (S/N 100001—)
3	M70127	FOAM AIR FILTER ELEMENT
	M97211	PAPER AIR FILTER ELEMENT
4	M802138	SPARK PLUG
5	AM131841	KEY
	TCA15075	IGNITION SWITCH
6	TY25221	BATTERY (DRY)
7	M82408	BLADE - LOW LIFT

Key	Part No.	Description
	AM137324	KIT - SIDE DISCHARGE BLADE - STANDARD
	AM137326	KIT - BAGGING BLADE
8	M95121	BELT - PRIMARY (S/N —130000)
	M95122	BELT - SECONDARY (S/N —130000)
	M118755	BELT - PRIMARY (S/N 130001—)
	M120048	BELT - SECONDARY (S/N 130001—)
9	M89339	GAGE WHEEL - 1 PER DECK
10	AM107370	CASTER WHEEL (S/N —101049)
	AM115510	CASTER WHEEL (S/N 101050—)

Service Recommendations

Qty	Part No	Item	Qty or Capacity	Change Interval in Hours
6	AM107423	Oil Filter		5/50/100/150/200/250
15	TY25381	1 Qt Plus 4 @ 5W30 Engine Oil	2.5 qt	5/50/100/150/200/250
2	TY6341	JD Multi Purpose SD Polyurea Grease		As Needed

"As Needed" Parts

Qty	Part No	Item
1	M70127	Air Filter Element - Foam
1	M97211	Air Filter Element - Paper
1	AM107314	Fuel Filter (S/N —100000)
	AM116304	Fuel Filter (S/N 100001—)
1	M802138	Spark Plug
2	M82408	Blade - Low Lift
1	AM137324	Kit - Side Discharge Blade - Standard
1	AM137326	Kit - Bagging Blade
1	M95121	Belt - Primary (S/N —130000)
1	M95122	Belt - Secondary (S/N 130001—)
1	M118755	Belt - Primary (S/N —130000)
1	M120048	Belt - Secondary (S/N 130001—)
1	AM131841	Key
1	AM108138	Fuel Cap
1	TY130907	Mower Deck Leveling Gauge
1	TY26183	Grease Gun

FOR ON-LINE PARTS ASSISTANCE:

• www.deere.com

- Click on **Residential**
- Click on **Parts** to:
- Click on...

- **View Parts Catalogs** to look-up part numbers
- **JDParts** to order parts on-line from your dealer
- **Valuable Parts Coupons** for discounts at your dealer
- **Coolants, Oils & Lubricants** to learn about our quality fluids
- **Replacement Parts - The Quality Story** tells you 'why' John Deere branded parts are superior

FOR ON-LINE SERVICE ASSISTANCE:

• www.deere.com

- Click on **Residential**
- Click on **Services & Support**
- Click on **Service Solutions**

- Click on **Mobile Maintenance** for Ready To Mow AT HOME Service
- Click on **John Deere Service Plans** for extended warranty and free pick-up and delivery of your tractor

OTHER SITES:

• Home and Workshop Products

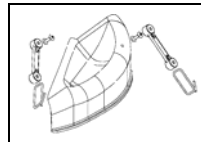
- www.deere.com
- Click on **Residential**
- Under "All Residential Products" click on **Home & Workshop Products**

• John Deere Credit

- Go to www.johndeerecredit.com for John Deere Revolving Credit to find your finance solution

• John Deere Gifts!!

- Go to www.johndeeregifts.com to stop by John Deere's "General Store" !!



Tricycler Mulch Kit.....BM21817

Dealer Name

Contact Name

Dealer Phone No



Home Maintenance Kit

Unit	Kit Number
F525	N/A

