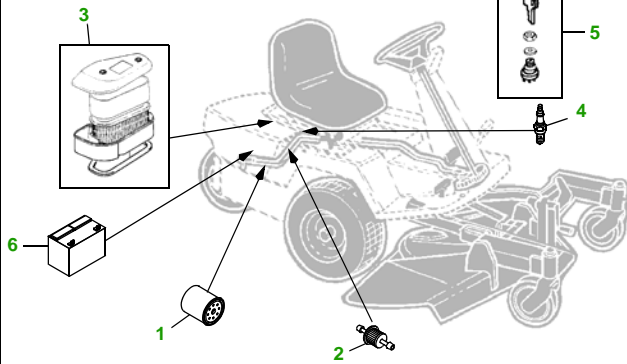


MAINTENANCE REMINDER SHEET

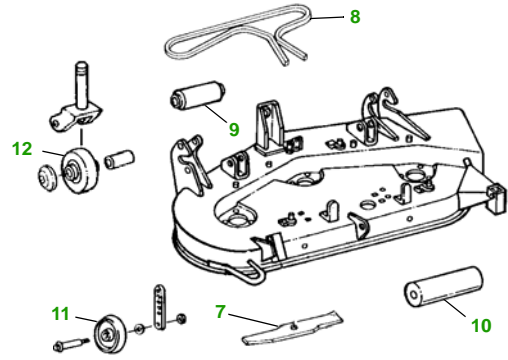
F525 with 46" Deck

Transport



Transport S/N

46" Deck



Deck S/N

| Key | Part No. | Description |
|-----|----------|--------------------------------|
| 1 | AM107423 | ENGINE/TRANSMISSION OIL FILTER |
| 2 | AM107314 | FUEL FILTER (S/N —100000) |
| | AM116304 | FUEL FILTER (S/N 100001—) |
| 3 | M70127 | FOAM AIR FILTER ELEMENT |
| | M97211 | PAPER AIR FILTER ELEMENT |
| 4 | M802138 | SPARK PLUG |
| 5 | AM131841 | KEY |
| | TCA15075 | IGNITION SWITCH |

| Key | Part No. | Description |
|-----|----------|--|
| 6 | TY25221 | BATTERY (DRY) |
| 7 | M41967 | BLADE |
| 8 | M95087 | BELT |
| 9 | | ROLLER - (SUB 2 M113955 AND 1 M114002) |
| 10 | | ROLLER - (SUB 2 M113955 AND 1 M114002) |
| 11 | M89339 | GAGE WHEEL - 1 PER DECK |
| 12 | AM107370 | CASTER WHEEL |

Service Recommendations

| Qty | Part No | Item | Qty or Capacity | Change Interval in Hours |
|-----|----------|-------------------------------------|-----------------|--------------------------|
| 6 | AM107423 | Oil Filter | | 10/100/200 |
| 15 | TY25381 | 1 Qt Plus 4 @ 5W30 Engine Oil | 2.5 qt | 10/100/200 |
| 2 | TY6341 | JD Multi Purpose SD Polyurea Grease | | As Needed |

"As Needed" Parts

| Qty | Part No | Item |
|-----|----------|----------------------------|
| 1 | M70127 | Air Filter Element - Foam |
| 1 | M97211 | Air Filter Element - Paper |
| 1 | AM107314 | Fuel Filter (S/N —100000) |
| | AM116304 | Fuel Filter (S/N 100001—) |
| 1 | M802138 | Spark Plug |
| 3 | M41967 | Blade |
| 1 | M95121 | Belt |
| 1 | AM131841 | Key |
| 1 | AM108138 | Fuel Cap |
| 1 | TY130907 | Mower Deck Leveling Gauge |
| 1 | TY26183 | Grease Gun |

FOR ON-LINE PARTS ASSISTANCE:

• www.deere.com

- Click on **Residential**
- Click on **Parts** to:
- Click on...



- **View Parts Catalogs** to look-up part numbers
- **JDParts** to order parts on-line from your dealer
- **Valuable Parts Coupons** for discounts at your dealer
- **Coolants, Oils & Lubricants** to learn about our quality fluids
- **Replacement Parts - The Quality Story** tells you 'why' John Deere branded parts are superior

FOR ON-LINE SERVICE ASSISTANCE:

• www.deere.com

- Click on **Residential**
- Click on **Services & Support**
- Click on **Service Solutions**



- Click on **Mobile Maintenance** for Ready To Mow AT HOME Service
- Click on **John Deere Service Plans** for extended warranty and free pick-up and delivery of your tractor

OTHER SITES:

• Home and Workshop Products

• www.deere.com

• Click on **Residential**

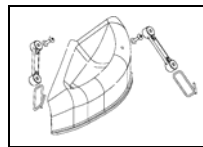
• Under "All Residential Products" click on **Home & Workshop Products**

• **John Deere Credit**

• Go to www.johndeerecredit.com for John Deere Revolving Credit to find your finance solution

• **John Deere Gifts!**

• Go to www.johndeeregifts.com to stop by John Deere's "General Store" !!



Mulch Kit N/A

Dealer Name

Contact Name

Dealer Phone No



Home Maintenance Kit

| Unit | Kit Number |
|------|------------|
| F525 | N/A |



JOHN DEERE