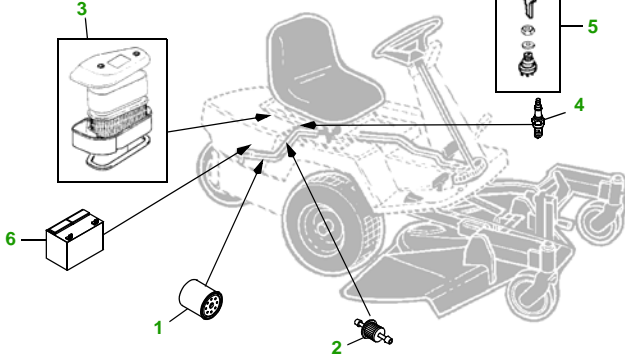


# MAINTENANCE REMINDER SHEET

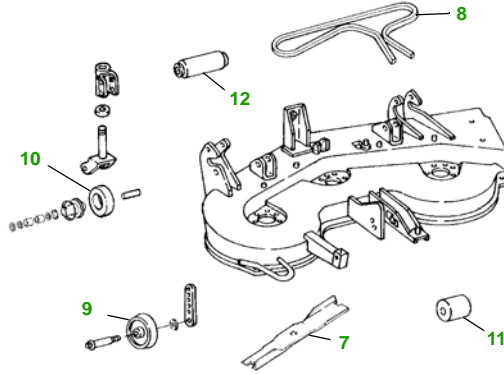
## F525 with 48" Deck S/N —130000

### Transport



### Transport S/N

### 48" Deck S/N —130000



### Deck S/N

Key	Part No.	Description
1	AM107423	ENGINE/TRANSMISSION OIL FILTER
2	AM38708	FUEL FILTER (S/N —100000)
	AM116304	FUEL FILTER (S/N 100001—)
3	M70127	FOAM AIR FILTER ELEMENT
	M97211	PAPER AIR FILTER ELEMENT
4	M802138	SPARK PLUG
5	AM131841	KEY
	TCA15075	IGNITION SWITCH
6	TY25221	BATTERY (DRY)

Key	Part No.	Description
7	M115495	BLADE - STD
	M135589	BLADE - HIGH LIFT
	M76466	BLADE - DISCHARGE PERFORMANCE
8	M95121	BELT - PRIMARY
	M95875	BELT - SECONDARY
9	M89339	GAGE WHEEL - 1 PER DECK
10	AM115510	CASTER WHEEL
11	M95452	ROLLER - REAR
12	M113955	ROLLER - FRONT (2 REQ)
	M122688	BUSHING FOR FRONT ROLLER (2 REQ)

### Service Recommendations

Qty	Part No	Item	Qty or Capacity	Change Interval in Hours
6	AM107423	Oil Filter		5/50/100/150/200/250
15	TY25381	1Qt Plus 4 @ 5W30 Engine Oil	2.5 qt	5/50/100/150/200/250
2	TY6341	JD Multi Purpose SD Polyurea Grease		As Needed

### "As Needed" Parts

Qty	Part No	Item
1	M70127	Air Filter Element - Foam
1	M97211	Air Filter Element - Paper
1	AM38708	Fuel Filter (S/N —100000)
	AM116304	Fuel Filter (S/N 100001—)
1	M802138	Spark Plug
3	M115495	Blade - Std
3	M135589	Blade - High Lift
3	M76466	Blade - Discharge Performance
1	M95121	Belt - Primary
1	M95875	Belt - Secondary
1	AM131841	Key
1	AM108138	Fuel Cap
1	TY130907	Mower Deck Leveling Gauge
1	TY26183	Grease Gun

### FOR ON-LINE PARTS ASSISTANCE:

• [www.deere.com](http://www.deere.com)

- Click on **Residential**
- Click on **Parts** to:
- Click on...

- **View Parts Catalogs** to look-up part numbers
- **JDParts** to order parts on-line from your dealer
- **Valuable Parts Coupons** for discounts at your dealer
- **Coolants, Oils & Lubricants** to learn about our quality fluids
- **Replacement Parts - The Quality Story** tells you 'why' John Deere branded parts are superior

### FOR ON-LINE SERVICE ASSISTANCE:

• [www.deere.com](http://www.deere.com)

- Click on **Residential**
- Click on **Services & Support**
- Click on **Service Solutions**

- Click on **Mobile Maintenance** for Ready To Mow AT HOME Service
- Click on **John Deere Service Plans** for extended warranty and free pick-up and delivery of your tractor

### OTHER SITES:

• Home and Workshop Products

• [www.deere.com](http://www.deere.com)

• Click on **Residential**

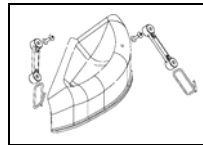
• Under "All Residential Products" click on **Home & Workshop Products**

• **John Deere Credit**

• Go to [www.johndeerecredit.com](http://www.johndeerecredit.com) for John Deere Revolving Credit to find your finance solution

• **John Deere Gifts!!**

• Go to [www.johndeeregifts.com](http://www.johndeeregifts.com) to stop by John Deere's "General Store" !!



Tricycler Mulch Kit..... BM19918

Dealer Name

Contact Name

Dealer Phone No



### Home Maintenance Kit

Unit	Kit Number
F525	N/A



JOHN DEERE