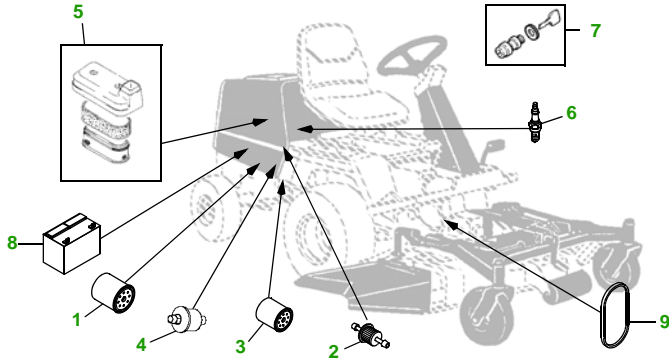


MAINTENANCE REMINDER SHEET

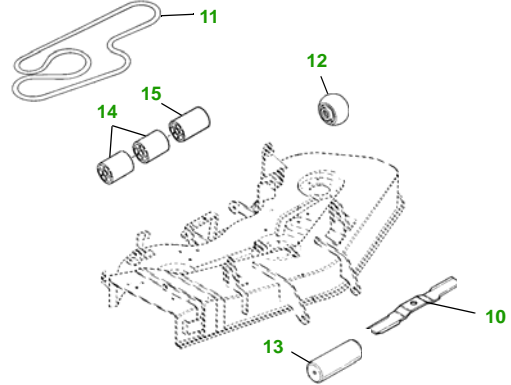
F710 with 48" Deck

Transport



Transport S/N

48" Deck



Deck S/N

Key	Part No.	Description
1	AM107423	ENGINE OIL FILTER
2	AM116304	FUEL FILTER IN-LINE
3	AM103027	TRANSAXLE OIL FILTER
4	AM120916	HYDRAULIC FILTER
5	M70127	FOAM AIR FILTER ELEMENT
	M97266	PAPER AIR FILTER ELEMENT
6	M802138	SPARK PLUG
7	AM131841	KEY
	TCA15075	IGNITION SWITCH
8	TY6192	BATTERY (DRY)

Key	Part No.	Description
9	M75353	BELT - TRACTION DRIVE
10	M115495	BLADE - STANDARD
	M135589	BLADE - HIGH LIFT
11	M111564	BELT - BLADE TO BLADE
12	AM117478	KIT - GAGE WHEEL - YELLOW
	AM125172	KIT - GAGE WHEEL - BLACK
13	AM39886	ROLLER
14	M113955	ROLLER - SHORT (2 REQUIRED)
15	M114002	ROLLER - LONG

Service Recommendations

Qty	Part No	Item	Qty or Capacity	Change Interval in Hours
3	AM107423	Oil Filter		10/100/200
1	TY22076	2 1/2 Gal Turf Gard® 10W30 Engine Oil	3.9 pt	10/100/200
1	AM103027	Transaxle Oil Filter		50
2	TY6354	1 Gal Low Vis Hygard	2.5 qt	50
2	M97266	Air Filter - Paper		100/200
1	M802138	Spark Plug	1	200
2	TY6341	JD Multi Purpose SD Polyurea Grease		As Needed

"As Needed" Parts

Qty	Part No	Item
1	M70127	Air Filter Element - Foam
1	AM120916	Hydraulic Oil Filter
1	AM116304	Fuel Filter
3	M115495	Blade - Standard
3	M135589	Blade - High Lift
1	M75353	Belt - Traction Drive
1	M111564	Belt - Blade to Blade
1	AM131841	Key
1	AM108138	Fuel Cap
1	TY130907	Mower Deck Leveling Gauge
1	TY26183	Grease Gun

FOR ON-LINE PARTS ASSISTANCE:

• www.deere.com

- Click on **Residential**
- Click on **Parts** to:
- Click on...



- **View Parts Catalogs** to look-up part numbers
- **JDParts** to order parts on-line from your dealer
- **Valuable Parts Coupons** for discounts at your dealer
- **Coolants, Oils & Lubricants** to learn about our quality fluids
- **Replacement Parts - The Quality Story** tells you 'why' John Deere branded parts are superior

FOR ON-LINE SERVICE ASSISTANCE:

• www.deere.com

- Click on **Residential**
- Click on **Services & Support**
- Click on **Service Solutions**



- Click on **Mobile Maintenance** for Ready To Mow AT HOME Service
- Click on **John Deere Service Plans** for extended warranty and free pick-up and delivery of your tractor

OTHER SITES:

• Home and Workshop Products

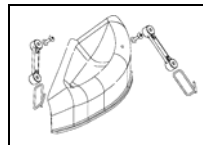
- www.deere.com
- Click on **Residential**
- Under "All Residential Products" click on **Home & Workshop Products**

• **John Deere Credit**

- Go to www.johndeerecredit.com for John Deere Revolving Credit to find your finance solution

• **John Deere Gifts!!**

- Go to www.johndeeregifts.com to stop by John Deere's "General Store" !!



Tricycler Mulch Kit..... BM17868

Dealer Name
Contact Name
Dealer Phone No



Home Maintenance Kit

Unit	Kit Number
F710	N/A

