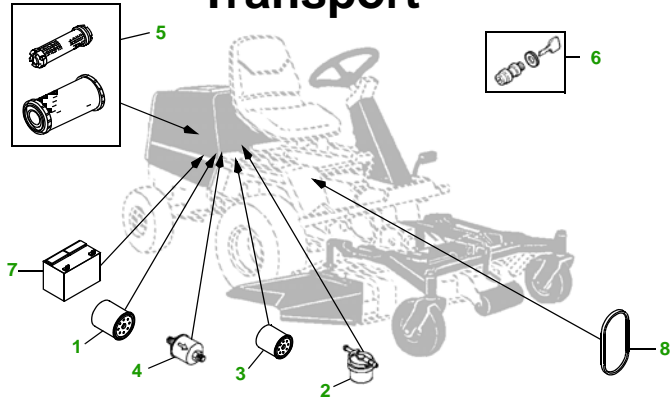


MAINTENANCE REMINDER SHEET

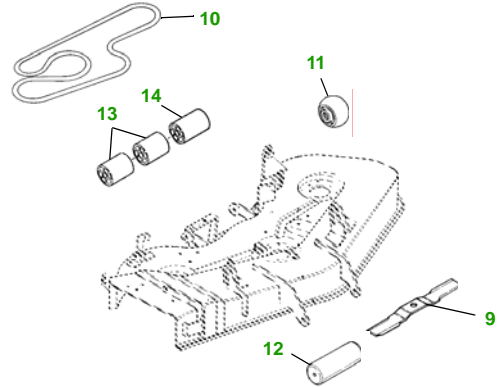
F735 with 48" Deck

Transport



Transport S/N

48" Deck



Deck S/N

Key	Part No.	Description
1	M806418	ENGINE OIL FILTER
2	M807152	FUEL FILTER
3	AM103027	TRANSAXLE OIL FILTER
4	AM120916	HYDRAULIC FILTER
5	M137393	AIR FILTER - PRIMARY
	M123378	AIR FILTER - SECONDARY
6	AM131841	KEY
	TCA15075	IGNITION SWITCH
7	TY25881	BATTERY (DRY)
8	M139011	BELT - TRACTION DRIVE

Key	Part No.	Description
9	M115495	BLADE - STANDARD
	M135589	BLADE - HIGH LIFT
10	M111564	BELT - BLADE TO BLADE
11	AM117478	KIT - GAGE WHEEL - YELLOW
	AM125172	KIT - GAGE WHEEL - BLACK
12	AM39886	ROLLER
13	M113955	ROLLER - SHORT (2 REQUIRED)
14	M114002	ROLLER - LONG

Service Recommendations

Qty	Part No	Item	Qty or Capacity	Change Interval in Hours
2	M806418	Oil Filter		50/200
1	TY22008	1 Gal Plus 50 15W40 Engine Oil	2.4 qt	50/200
1	AM103027	Transaxle Oil Filter		50
2	TY6354	1 Gal Low Vis Hygard	1.2 gal	50
1	AM120916	Hydraulic Oil Filter		50
1	M137393	Air Filter - Primary		200
1	M123378	Air Filter - Secondary		200
2	TY6341	JD Multi Purpose SD Polyurea Grease		As Needed

"As Needed" Parts

Qty	Part No	Item
1	M807152	Fuel Filter
3	M115495	Blade - Standard
3	M135589	Blade - High Lift
1	M139011	Belt - Traction Drive
1	M111564	Belt - Blade to Blade
1	AM131841	Key
1	M112833	Fuel Cap
1	TY130907	Mower Deck Leveling Gauge
1	TY26183	Grease Gun

FOR ON-LINE PARTS ASSISTANCE:

• www.deere.com

- Click on **Residential**
- Click on **Parts** to:
- Click on...



- **View Parts Catalogs** to look-up part numbers
- **JDParts** to order parts on-line from your dealer
- **Valuable Parts Coupons** for discounts at your dealer
- **Coolants, Oils & Lubricants** to learn about our quality fluids
- **Replacement Parts - The Quality Story** tells you 'why' John Deere branded parts are superior

FOR ON-LINE SERVICE ASSISTANCE:

• www.deere.com

- Click on **Residential**
- Click on **Services & Support**
- Click on **Service Solutions**



- Click on **Mobile Maintenance** for Ready To Mow AT HOME Service
- Click on **John Deere Service Plans** for extended warranty and free pick-up and delivery of your tractor

OTHER SITES:

• Home and Workshop Products

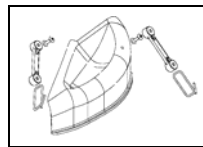
- www.deere.com
- Click on **Residential**
- Under "All Residential Products" click on **Home & Workshop Products**

• John Deere Credit

- Go to www.johndeerecredit.com for John Deere Revolving Credit to find your finance solution

• John Deere Gifts!!

- Go to www.johndeeregifts.com to stop by John Deere's "General Store" !!



Mulch Kit N/A

Dealer Name
Contact Name
Dealer Phone No



Home Maintenance Kit

Unit	Kit Number
F735	N/A

