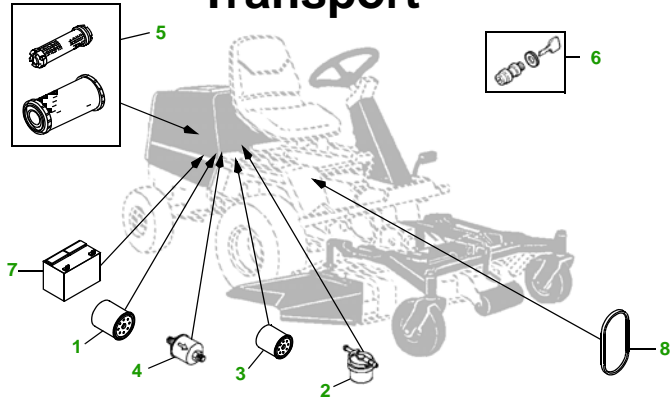


# MAINTENANCE REMINDER SHEET

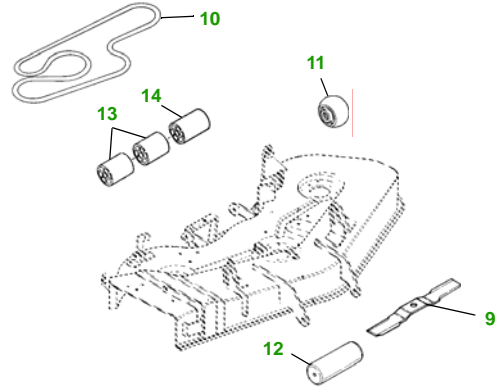
## F735 with 54" Deck

### Transport



### Transport S/N

### 54" Deck



### Deck S/N

Key	Part No.	Description
1	M806418	ENGINE OIL FILTER
2	M807152	FUEL FILTER
3	AM103027	TRANSAXLE OIL FILTER
4	AM120916	HYDRAULIC FILTER
5	M137393	AIR FILTER - PRIMARY
	M123378	AIR FILTER - SECONDARY
6	AM131841	KEY
	TCA15075	IGNITION SWITCH
7	TY25881	BATTERY (DRY)
8	M139011	BELT - TRACTION DRIVE

Key	Part No.	Description
9	M115496	BLADE - STANDARD
	M135590	BLADE - HIGH LIFT
10	M111534	BELT - BLADE TO BLADE
11	AM117478	KIT - GAGE WHEEL - YELLOW
	AM125172	KIT - GAGE WHEEL - BLACK
12	AM39886	ROLLER
13	M113955	ROLLER - SHORT (2 REQUIRED)
14	M114002	ROLLER - LONG

### Service Recommendations

Qty	Part No	Item	Qty or Capacity	Change Interval in Hours
2	M806418	Oil Filter		50/200
1	TY22008	1 Gal Plus 50 15W40 Engine Oil	2.4 qt	50/200
1	AM103027	Transaxle Oil Filter		50
2	TY6354	1 Gal Low Vis Hygard	1.2 gal	50
1	AM120916	Hydraulic Oil Filter		50
1	M137393	Air Filter - Primary		200
1	M123378	Air Filter - Secondary		200
2	TY6341	JD Multi Purpose SD Polyurea Grease		As Needed

### "As Needed" Parts

Qty	Part No	Item
1	M807152	Fuel Filter
3	M115496	Blade - Standard
3	M135590	Blade - High Lift
1	M139011	Belt - Traction Drive
1	M111534	Belt - Blade to Blade
1	AM131841	Key
1	M112833	Fuel Cap
1	TY130907	Mower Deck Leveling Gauge
1	TY26183	Grease Gun

### FOR ON-LINE PARTS ASSISTANCE:

• [www.deere.com](http://www.deere.com)

- Click on **Residential**
- Click on **Parts** to:
- Click on...



- **View Parts Catalogs** to look-up part numbers
- **JDParts** to order parts on-line from your dealer
- **Valuable Parts Coupons** for discounts at your dealer
- **Coolants, Oils & Lubricants** to learn about our quality fluids
- **Replacement Parts - The Quality Story** tells you 'why' John Deere branded parts are superior

### FOR ON-LINE SERVICE ASSISTANCE:

• [www.deere.com](http://www.deere.com)

- Click on **Residential**
- Click on **Services & Support**
- Click on **Service Solutions**



- Click on **Mobile Maintenance** for Ready To Mow AT HOME Service
- Click on **John Deere Service Plans** for extended warranty and free pick-up and delivery of your tractor

### OTHER SITES:

• Home and Workshop Products

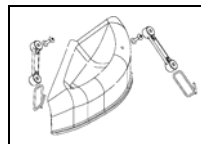
- [www.deere.com](http://www.deere.com)
- Click on **Residential**
- Under "All Residential Products" click on **Home & Workshop Products**

• John Deere Credit

- Go to [www.johndeerecredit.com](http://www.johndeerecredit.com) for John Deere Revolving Credit to find your finance solution

• John Deere Gifts!!

- Go to [www.johndeeregifts.com](http://www.johndeeregifts.com) to stop by John Deere's "General Store" !!



Mulch Kit ..... N/A

Dealer Name

Contact Name

Dealer Phone No



### Home Maintenance Kit

Unit	Kit Number
F735	N/A

