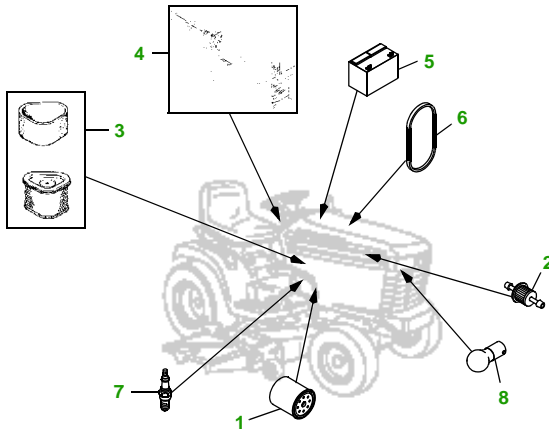


# MAINTENANCE REMINDER SHEET

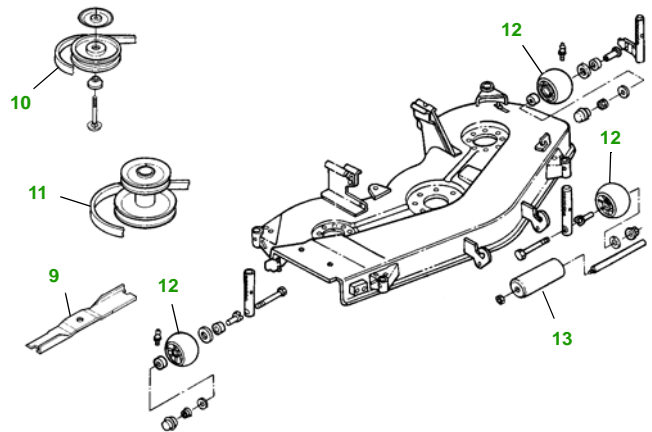
## GT235 with 48" Deck

### Garden Tractor



Tractor S/N

### 48" Deck



Deck S/N

Key	Part No.	Description
1	AM125424	ENGINE OIL FILTER (BRIGGS ENG.)
	AM107423	ENGINE OIL FILTER (KAWASAKI ENG.)
2	AM116304	FUEL FILTER IN-LINE
3	LG272490S	AIR FILTER - FOAM (BRIGGS ENG.)
	MIU10955	AIR FILTER - FOAM (KAWASAKI ENG.)
	LG394018JD	AIR FILTER - PAPER (BRIGGS ENG.)
	M137556	AIR FILTER - PAPER (KAWASAKI ENG.)
4	AM131841	KEY
	AM132500	IGNITION SWITCH
5	TY25881	BATTERY (DRY)
6	M127523	BELT - TRACTION DRIVE

Key	Part No.	Description
7	M78543	SPARK PLUG - BRIGGS
	TY6081	SPARK PLUG - KAWASAKI
8	AD2062R	HEADLIGHT BULB
9	M115495	BLADE - STANDARD
	M135589	BLADE - HIGH LIFT
10	M110312	BELT - PRIMARY
11	M154958	BELT - SECONDARY
12	AM133602	KIT - GAGE WHEEL - FRONT
	AM117478	KIT - GAGE WHEEL - REAR
13	M113955	ROLLER - 2.9 INCH
	M114002	ROLLER - 3.9 INCH

#### Service Recommendations

#### "As Needed" Parts

Qty	Part No	Item	Qty or Capacity	Change Interval in Hours
4	AM125424	Oil Filter (Briggs)	1	25/50/100/200
4	AM107423	Oil Filter (Kawasaki)	1	25/50/100/200
1	TY22076	2 1/2 Gal Turf Gard® 10W30 Engine Oil	1.9 qt	25/50/100/200
2	TY22000	1 Gal Low Vis Hygard	4.6 qt	250
1	AM116304	Fuel Filter	1	200
2	TY6341	JD Multi Purpose SD Polyurea Grease		As Needed

Qty	Part No	Item
2	M78543	Spark Plug - Briggs
2	TY6081	Spark Plug - Kawasaki
1	LG272490S	Air Filter - Foam Briggs Eng.
1	LG394018JD	Air Filter - Paper Briggs Eng.
1	MIU10955	Air Filter - Foam Kawasaki Eng.
1	M137556	Air Filter - Paper Kawasaki Eng.
3	M115495	Blade - Standard
3	M135589	Blade - High Lift
1	M127523	Belt - Traction Drive
1	M110312	Belt - Primary
1	M154958	Belt - Secondary
1	AM131841	Key
1	AM123507	Fuel Cap
1	TY130907	Mower Deck Leveling Gauge
1	TY26183	Grease Gun

#### FOR ON-LINE PARTS ASSISTANCE:

• [www.deere.com](http://www.deere.com)

- Click on **Residential**
- Click on **Parts** to:
- Click on...



- **View Parts Catalogs** to look-up part numbers
- **JDParts** to order parts on-line from your dealer
- **Valuable Parts Coupons** for discounts at your dealer
- **Coolants, Oils & Lubricants** to learn about our quality fluids
- **Replacement Parts - The Quality Story** tells you 'why' John Deere branded parts are superior

#### FOR ON-LINE SERVICE ASSISTANCE:

• [www.deere.com](http://www.deere.com)

- Click on **Residential**
- Click on **Services & Support**
- Click on **Service Solutions**



- Click on **Mobile Maintenance** for Ready To Mow AT HOME Service
- Click on **John Deere Service Plans** for extended warranty and free pick-up and delivery of your tractor

#### OTHER SITES:

• Home and Workshop Products

• [www.deere.com](http://www.deere.com)

• Click on **Residential**

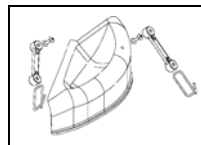
• Under "All Residential Products" click on **Home & Workshop Products**

• **John Deere Credit**

• Go to [www.johndeerecredit.com](http://www.johndeerecredit.com) for John Deere Revolving Credit to find your finance solution

• **John Deere Gifts!**

• Go to [www.johndeeregifts.com](http://www.johndeeregifts.com) to stop by John Deere's "General Store" !!



Tricycler Mulch Kit..... BM19918

Dealer Name

Contact Name

Dealer Phone No



#### Home Maintenance Kit

Unit	Kit Number	Engine
GT235	LG190	Briggs
GT235	LG195	Kawasaki

