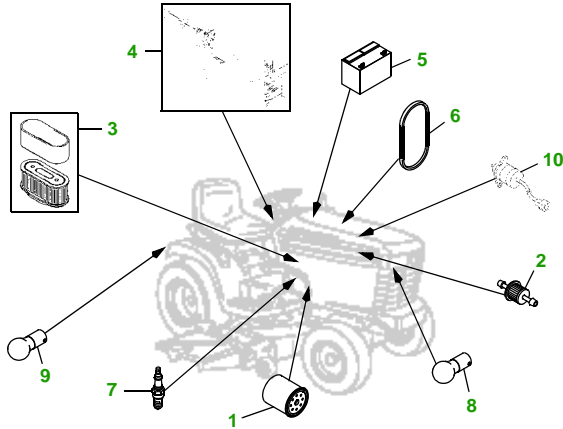


MAINTENANCE REMINDER SHEET

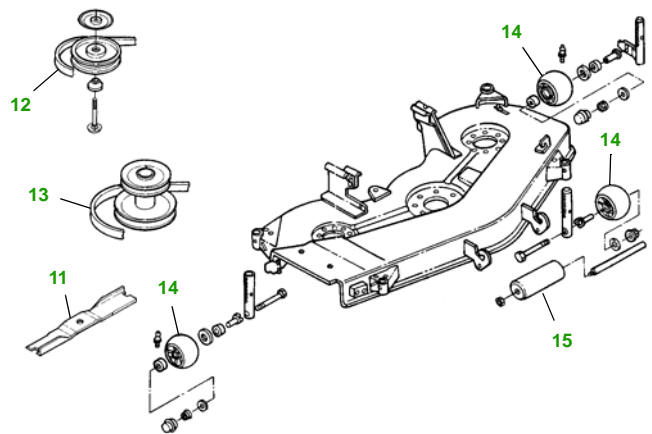
GT245 with 48" Deck

Garden Tractor



Tractor S/N

48" Deck



Deck S/N

Key	Part No.	Description
1	AM107423	ENGINE OIL FILTER
2	AM116304	FUEL FILTER IN-LINE
3	M140295	FOAM AIR FILTER ELEMENT
	M150403	PAPER AIR FILTER ELEMENT
4	AM131841	KEY
	AM132500	IGNITION SWITCH
5	TY25881	BATTERY (DRY)
6	M127523	BELT - TRACTION DRIVE
7	M805853	SPARK PLUG
8	AD2062R	HEADLIGHT BULB

Key	Part No.	Description
9	AR62407	TAIL LIGHT BULB
10	M140275	FUEL SHUTOFF SOLENOID
11	M115495	BLADE - STANDARD
	M135589	BLADE - HIGH LIFT
12	M110312	BELT - PRIMARY
13	M154958	BELT - SECONDARY
14	AM133602	KIT - GAGE WHEEL - FRONT
	AM117478	KIT - GAGE WHEEL - REAR
15	M113955	ROLLER - 2.9 INCH
	M114002	ROLLER - 3.9 INCH

Service Recommendations

"As Needed" Parts

Qty	Part No	Item	Qty or Capacity	Change Interval in Hours
4	AM107423	Oil Filter	1	25/50/100/200
1	TY22076	2 1/2 Gal Turf Gard @ 10W30 Engine Oil	1.8 qt	25/50/100/200
2	TY22000	1 Gal Low Vis Hygard	4.6 qt	250
1	AM116304	Fuel Filter	1	200
2	TY6341	JD Multi Purpose SD Polyurea Grease		As Needed

Qty	Part No	Item
1	M140295	Air Filter - Foam
1	M50403	Air Filter - Paper
3	M115495	Blade - Standard
3	M135589	Blade - High Lift
1	M127523	Belt - Traction Drive
1	M110312	Belt - Primary
1	M154958	Belt - Secondary
1	AM131841	Key
1	AM123507	Fuel Cap
1	TY130907	Mower Deck Leveling Gauge
1	TY26183	Grease Gun

FOR ON-LINE PARTS ASSISTANCE:

• www.deere.com

- Click on **Residential**
- Click on **Parts** to:
- Click on...



- **View Parts Catalogs** to look-up part numbers
- **JDParts** to order parts on-line from your dealer
- **Valuable Parts Coupons** for discounts at your dealer
- **Coolants, Oils & Lubricants** to learn about our quality fluids
- **Replacement Parts - The Quality Story** tells you 'why' John Deere branded parts are superior

FOR ON-LINE SERVICE ASSISTANCE:

• www.deere.com

- Click on **Residential**
- Click on **Services & Support**
- Click on **Service Solutions**



- Click on **Mobile Maintenance** for Ready To Mow AT HOME Service
- Click on **John Deere Service Plans** for extended warranty and free pick-up and delivery of your tractor

OTHER SITES:

• Home and Workshop Products

• www.deere.com

• Click on **Residential**

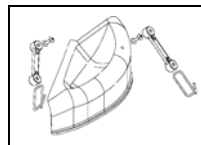
• Under "All Residential Products" click on **Home & Workshop Products**

• **John Deere Credit**

• Go to www.johndeerecredit.com for John Deere Revolving Credit to find your finance solution

• **John Deere Gifts!**

• Go to www.johndeeregifts.com to stop by John Deere's "General Store" !!



Tricycler Mulch Kit..... BM19918

Dealer Name

Contact Name

Dealer Phone No



Home Maintenance Kit

Unit	Kit Number
GT245	LG250

