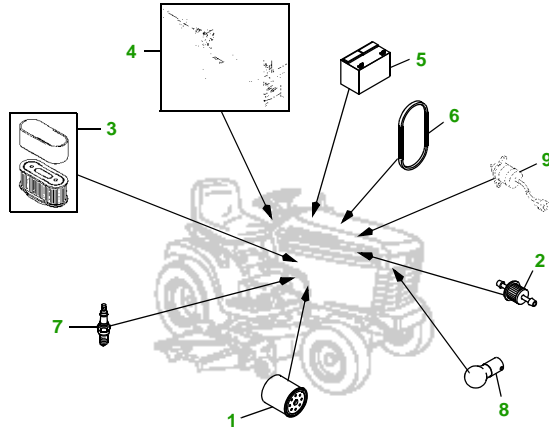


# MAINTENANCE REMINDER SHEET

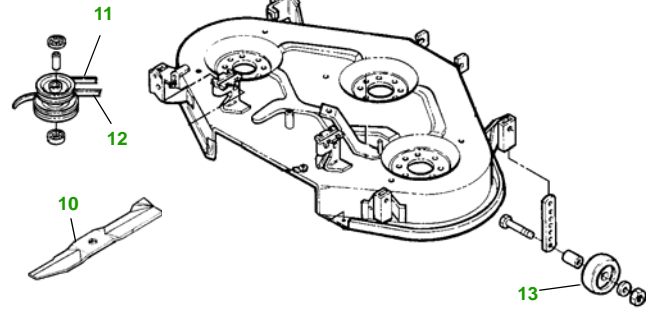
## GT262 with 44" Deck

### Garden Tractor



Tractor S/N

### 44" Mulching Deck



Deck S/N

Key	Part No.	Description
1	AM107423	ENGINE OIL FILTER
2	AM116304	FUEL FILTER IN-LINE
3	M70127	FOAM AIR FILTER ELEMENT
	M97266	PAPER AIR FILTER ELEMENT
4	AM131841	KEY
	AM119237	IGNITION MODULE
5	TY25878	BATTERY (DRY)
6	M114763	BELT - TRACTION DRIVE
7	M802138	SPARK PLUG

Key	Part No.	Description
8	AM106153	HEADLIGHT BULB
9	M120522	FUEL SHUTOFF SOLENOID
10	M119798	BLADE - MULCHING (TOP)
	M119799	BLADE - MULCHING (BOTTOM)
11	M77988	BELT - PRIMARY
12	M115776	BELT - SECONDARY
13	AM133602	KIT - GAGE WHEEL

#### Service Recommendations

#### "As Needed" Parts

Qty	Part No	Item	Qty or Capacity	Change Interval in Hours
4	AM107423	Oil Filter	1	5/50/100/200
8	TY22064	1 Qt Torq Gard @ 5W30 Engine Oil	1.9 qt	5/50/100/200
1	AM116304	Fuel Filter	1	200
2	TY6341	JD Multi Purpose SD Polyurea Grease		As Needed

Qty	Part No	Item
1	M802138	Spark Plug
1	M70127	Air Filter - Foam
1	M97266	Air Filter - Paper
3	M119798	Blade - Mulching (Top)
3	M119799	Blade - Mulching (Bottom)
1	M114763	Belt - Traction Drive
1	M77988	Belt - Primary
1	M115776	Belt - Secondary
1	AM131841	Key
1	AM115497	Fuel Cap
1	TY130907	Mower Deck Leveling Gauge
1	TY26183	Grease Gun

#### FOR ON-LINE PARTS ASSISTANCE:

• [www.deere.com](http://www.deere.com)

- Click on **Residential**
- Click on **Parts** to:
- Click on...



- **View Parts Catalogs** to look-up part numbers
- **JDParts** to order parts on-line from your dealer
- **Valuable Parts Coupons** for discounts at your dealer
- **Coolants, Oils & Lubricants** to learn about our quality fluids
- **Replacement Parts - The Quality Story** tells you 'why' John Deere branded parts are superior

#### FOR ON-LINE SERVICE ASSISTANCE:

• [www.deere.com](http://www.deere.com)

- Click on **Residential**
- Click on **Services & Support**
- Click on **Service Solutions**



- Click on **Mobile Maintenance** for Ready To Mow AT HOME Service
- Click on **John Deere Service Plans** for extended warranty and free pick-up and delivery of your tractor

#### OTHER SITES:

• Home and Workshop Products

• [www.deere.com](http://www.deere.com)

• Click on **Residential**

• Under "All Residential Products" click on **Home & Workshop Products**

• **John Deere Credit**

• Go to [www.johndeerecredit.com](http://www.johndeerecredit.com) for John Deere Revolving Credit to find your finance solution

• **John Deere Gifts!**

• Go to [www.johndeeregifts.com](http://www.johndeeregifts.com) to stop by John Deere's "General Store" !!



Mulch Kit ..... BM18238

Dealer Name

Contact Name

Dealer Phone No



Home Maintenance Kit

Unit	Kit Number
GT262	LG185

