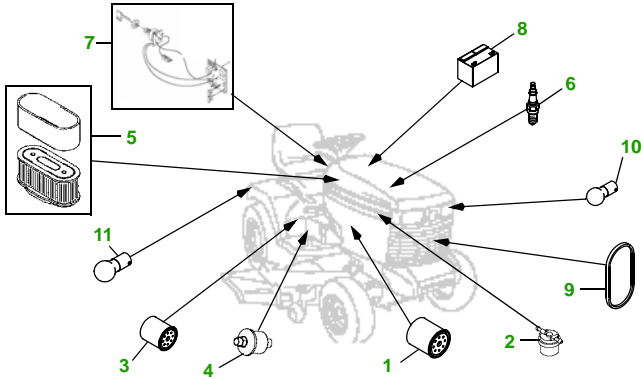


# MAINTENANCE REMINDER SHEET

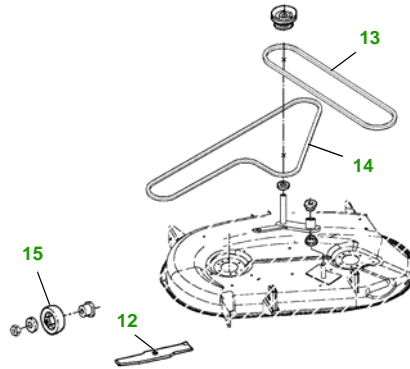
## GX335 with 42C Deck

### Garden Tractor



Tractor S/N

### 42" Convertible Deck



Deck S/N

Key	Part No.	Description
1	AM107423	ENGINE OIL FILTER
2	AM116304	FUEL FILTER IN-LINE
3	AM131102	TRANSAXLE OIL FILTER
4	M71341	HYDRAULIC FILTER
5	M76076	FOAM AIR FILTER ELEMENT
	M76077	PAPER AIR FILTER ELEMENT
6	M802138	SPARK PLUG
7	AM131841	KEY
	AM132500	IGNITION MODULE
8	TY25881	BATTERY (DRY)

Key	Part No.	Description
9	M142499	BELT - TRACTION DRIVE
10	AD2062R	HEADLIGHT BULB
11	AR62407	WARNING LIGHT BULB
12	M139975	BLADE - MULCHING
	M148613	BLADE - STANDARD
	M139977	BLADE - HIGH LIFT
13	M143019	BELT - PRIMARY
14	M43820	BELT - SECONDARY
15	AM133602	KIT - GAGE WHEEL

#### Service Recommendations

#### "As Needed" Parts

Qty	Part No	Item	Qty or Capacity	Change Interval in Hours
3	AM107423	Oil Filter	1	20/100/200
1	TY22076	2 1/2 Gal Turf Gard @ 10W30 Engine Oil	1.8 qt	20/50/100/200
2	AM131102	Transaxle Oil Filter	1	50/250
3	TY22000	1 Gal Low Vis Hygard	5.0 qt	50/250
2	M71341	Hydraulic Filter	1	50/250
1	AM116304	Fuel Filter	1	200
1	TY25081	1 Gal Cool Gard	3.3 qt	200
2	TY6341	JD Multi Purpose SD Polyurea Grease		As Needed

Qty	Part No	Item
1	M76076	Air Filter Element - Foam
1	M76077	Air Filter Element - Paper
2	M802138	Spark Plug
2	M139975	Blade - Mulching
2	M148613	Blade - Standard
2	M139977	Blade - High Lift
1	M142499	Belt - Traction Drive
1	M143019	Belt - Primary
1	M43820	Belt - Secondary
1	AM131841	Key
1	AM115497	Fuel Cap
1	TY130907	Mower Deck Leveling Gauge
1	TY26183	Grease Gun

#### FOR ON-LINE PARTS ASSISTANCE:

• [www.deere.com](http://www.deere.com)

- Click on **Residential**
- Click on **Parts** to:
- Click on...



- **View Parts Catalogs** to look-up part numbers
- **JDParts** to order parts on-line from your dealer
- **Valuable Parts Coupons** for discounts at your dealer
- **Coolants, Oils & Lubricants** to learn about our quality fluids
- **Replacement Parts - The Quality Story** tells you 'why' John Deere branded parts are superior

#### FOR ON-LINE SERVICE ASSISTANCE:

• [www.deere.com](http://www.deere.com)

- Click on **Residential**
- Click on **Services & Support**
- Click on **Service Solutions**



- Click on **Mobile Maintenance** for Ready To Mow AT HOME Service
- Click on **John Deere Service Plans** for extended warranty and free pick-up and delivery of your tractor

#### OTHER SITES:

• Home and Workshop Products

• [www.deere.com](http://www.deere.com)

• Click on **Residential**

• Under "All Residential Products" click on **Home & Workshop Products**

• **John Deere Credit**

• Go to [www.johndeerecredit.com](http://www.johndeerecredit.com) for John Deere Revolving Credit to find your finance solution

• **John Deere Gifts!**

• Go to [www.johndeeregifts.com](http://www.johndeeregifts.com) to stop by John Deere's "General Store" !!



Mulch Kit ..... BM20008

Dealer Name

Contact Name

Dealer Phone No

#### Home Maintenance Kit

Unit	Kit Number
GX335	LG249 or LG250 (Eng S/N 140001—)

