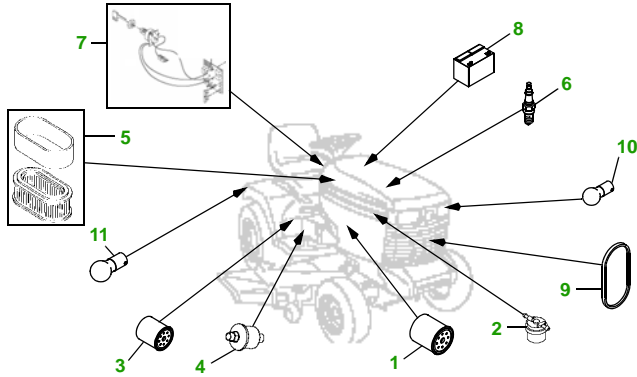


# MAINTENANCE REMINDER SHEET

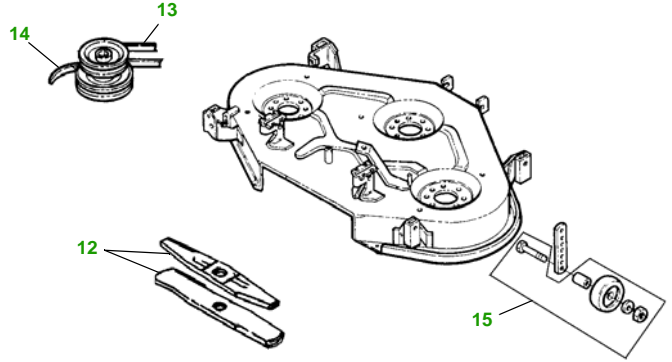
## GX345 with 44M Deck

### Garden Tractor



Tractor S/N

### 44" Mulching Deck



Deck S/N

Key	Part No.	Description
1	AM107423	ENGINE OIL FILTER
2	AM116304	FUEL FILTER IN-LINE
3	AM131102	TRANSAXLE OIL FILTER
4	AM120916	HYDRAULIC FILTER
5	M76076	FOAM AIR FILTER ELEMENT
	M76077	PAPER AIR FILTER ELEMENT
6	M802138	SPARK PLUG
7	AM131841	KEY
	AM132500	IGNITION MODULE
8	TY25881	BATTERY (DRY)

Key	Part No.	Description
9	M142499	BELT - TRACTION DRIVE
10	AD2062R	HEADLIGHT BULB
11	AR62407	WARNING LIGHT BULB
12	M119798	BLADE - MULCHING LOW LIFT
	M119799	BLADE - MULCHING
	M121589	BLADE - DISCHARGE
13	M119696	BELT - PRIMARY
14	M115776	BELT - SECONDARY
15	AM133602	KIT - GAGE WHEEL

#### Service Recommendations

#### "As Needed" Parts

Qty	Part No	Item	Qty or Capacity	Change Interval in Hours
3	AM107423	Oil Filter	1	50/100/200
1	TY22076	2 1/2 Gal Turf Gard @ 10W30 Engine Oil	2.0 qt	50/100/200
2	AM131102	Transaxle Oil Filter	1	50/250
3	TY22000	1 Gal Low Vis Hygard	5.0 qt	50/250
2	AM120916	Hydraulic Filter	1	50/250
1	AM116304	Fuel Filter	1	200
1	TY25081	1 Gal Cool Gard	3.3 qt	200
2	TY6341	JD Multi Purpose SD Polyurea Grease		As Needed

Qty	Part No	Item
1	M76076	Air Filter Element - Foam
1	M76077	Air Filter Element - Paper
2	M802138	Spark Plug
3	M119798	Blade - Mulching Low Lift
3	M119799	Blade - Mulching
3	M121589	Blade - Discharge
1	M142499	Belt - Traction Drive
1	M119696	Belt - Primary
1	M115776	Belt - Secondary
1	AM131841	Key
1	AM115497	Fuel Cap
1	TY130907	Mower Deck Leveling Gauge
1	TY26183	Grease Gun

#### FOR ON-LINE PARTS ASSISTANCE:

• [www.deere.com](http://www.deere.com)

- Click on **Residential**
- Click on **Parts** to:
- Click on...



- **View Parts Catalogs** to look-up part numbers
- **JDParts** to order parts on-line from your dealer
- **Valuable Parts Coupons** for discounts at your dealer
- **Coolants, Oils & Lubricants** to learn about our quality fluids
- **Replacement Parts - The Quality Story** tells you 'why' John Deere branded parts are superior

#### FOR ON-LINE SERVICE ASSISTANCE:

• [www.deere.com](http://www.deere.com)

- Click on **Residential**
- Click on **Services & Support**
- Click on **Service Solutions**



- Click on **Mobile Maintenance** for Ready To Mow AT HOME Service
- Click on **John Deere Service Plans** for extended warranty and free pick-up and delivery of your tractor

#### OTHER SITES:

• Home and Workshop Products

• [www.deere.com](http://www.deere.com)

• Click on **Residential**

• Under "All Residential Products" click on **Home & Workshop Products**

• **John Deere Credit**

• Go to [www.johndeerecredit.com](http://www.johndeerecredit.com) for John Deere Revolving Credit to find your finance solution

• **John Deere Gifts!!**

• Go to [www.johndeeregifts.com](http://www.johndeeregifts.com) to stop by John Deere's "General Store" !!



Mulch Kit ..... N/A

Dealer Name  
Contact Name  
Dealer Phone No



#### Home Maintenance Kit

Unit	Kit Number
GX345	LG186

