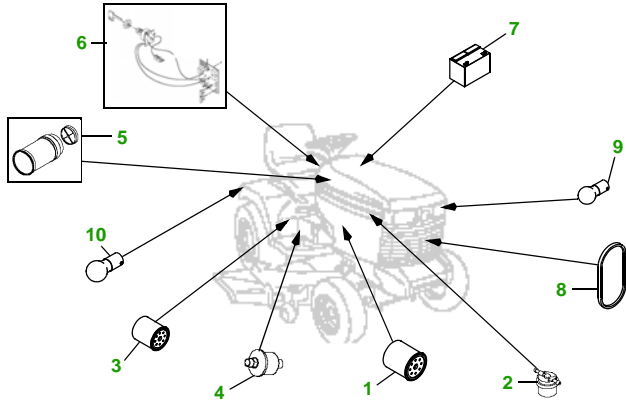


# MAINTENANCE REMINDER SHEET

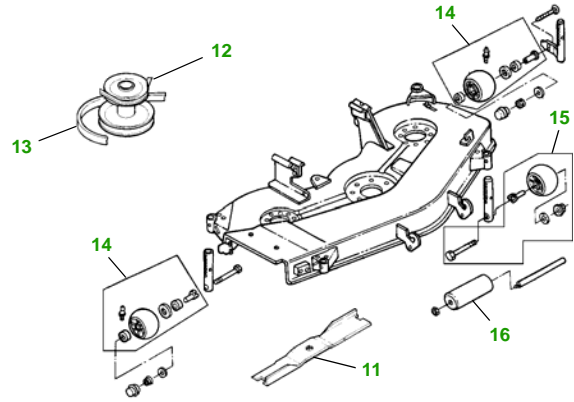
## GX355 with 54" Deck

### Garden Tractor



Tractor S/N

### 54" Deck



Deck S/N

Key	Part No.	Description
1	M806418	ENGINE OIL FILTER
2	M807152	FUEL FILTER IN-LINE
3	AM131102	TRANSAXLE OIL FILTER
4	M71341	HYDRAULIC FILTER
5	AM130295	AIR FILTER ELEMENT (SOLD AS SET ONLY)
6	AM131841	KEY
	AM132500	IGNITION MODULE
7	TY25876	BATTERY (DRY)
8	M142499	BELT - TRACTION DRIVE

Key	Part No.	Description
9	AD2062R	HEADLIGHT BULB
10	AR62407	WARNING LIGHT BULB
11	M115496	BLADE - STANDARD
	M113518	BLADE - MULCHING
12	M143019	BELT - PRIMARY
13	M118685	BELT - SECONDARY
14	AM125172	KIT - GAGE WHEEL - REAR
15	AM133602	KIT - GAGE WHEEL - FRONT
16	M113955	ROLLER

### Service Recommendations

### "As Needed" Parts

Qty	Part No	Item	Qty or Capacity	Change Interval in Hours
3	M806418	Oil Filter	1	50/100/200
1	TY22061	2 1/2 Gal Plus 50 15W40 Engine Oil	2.4 qt	50/100/200
2	AM131102	Transaxle Oil Filter	1	50/250
3	TY22000	1 Gal Low Vis Hygard	5.0 qt	50/250
2	M71341	Hydraulic Filter	1	50/250
1	M807152	Fuel Filter	1	200
1	TY25081	1 Gal Cool Gard	3.3 qt	200
2	TY6341	JD Multi Purpose SD Polyurea Grease		As Needed

Qty	Part No	Item
1	AM131102	Air Filter Element (Sold as Set Only)
3	M115496	Blade - Standard
3	M113518	Blade - Mulching
1	M142499	Belt - Traction Drive
1	M143019	Belt - Primary
1	M118685	Belt - Secondary
1	AM131841	Key
1	AMT1274	Fuel Cap
1	TY130907	Mower Deck Leveling Gauge
1	TY26183	Grease Gun

#### FOR ON-LINE PARTS ASSISTANCE:

• [www.deere.com](http://www.deere.com)

- Click on **Residential**
- Click on **Parts** to:
- Click on...



- **View Parts Catalogs** to look-up part numbers
- **JDParts** to order parts on-line from your dealer
- **Valuable Parts Coupons** for discounts at your dealer
- **Coolants, Oils & Lubricants** to learn about our quality fluids
- **Replacement Parts - The Quality Story** tells you 'why' John Deere branded parts are superior

#### FOR ON-LINE SERVICE ASSISTANCE:

• [www.deere.com](http://www.deere.com)

- Click on **Residential**
- Click on **Services & Support**
- Click on **Service Solutions**



- Click on **Mobile Maintenance** for Ready To Mow AT HOME Service
- Click on **John Deere Service Plans** for extended warranty and free pick-up and delivery of your tractor

#### OTHER SITES:

• Home and Workshop Products

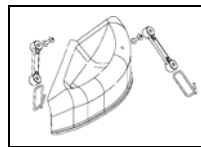
- [www.deere.com](http://www.deere.com)
- Click on **Residential**
- Under "All Residential Products" click on **Home & Workshop Products**

• John Deere Credit

- Go to [www.johndeerecredit.com](http://www.johndeerecredit.com) for John Deere Revolving Credit to find your finance solution

• John Deere Gifts!

- Go to [www.johndeeregifts.com](http://www.johndeeregifts.com) to stop by John Deere's "General Store" !!



Tricycler Mulch Kit .....BM17869

Dealer Name  
Contact Name  
Dealer Phone No



### Home Maintenance Kit

Unit	Kit Number
GX355	LG179



JOHN DEERE