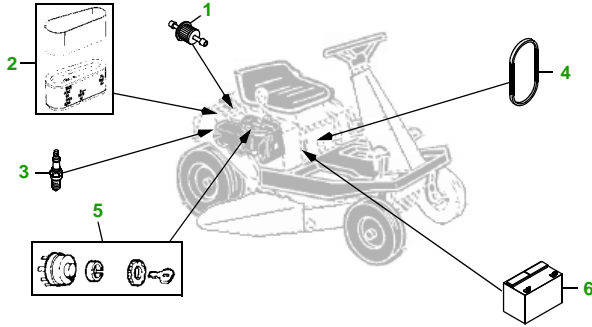


# MAINTENANCE REMINDER SHEET

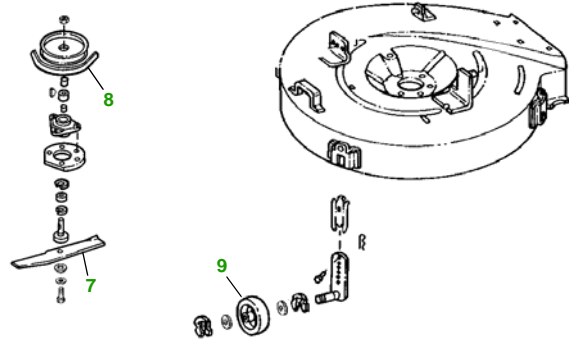
## GX85 with 30" Deck

### Riding Mower



Tractor S/N

### 30" Deck



Deck S/N

Key	Part No.	Description
1	AM116304	FUEL FILTER
2	M143004	FOAM AIR FILTER
	LG496894JD	PAPER AIR FILTER
3	TY6129	SPARK PLUG
4	M94020	BELT - TRACTION DRIVE
5	AM131841	KEY
	TCA15075	IGNITION SWITCH

Key	Part No.	Description
6	TY25878	BATTERY (DRY)
7	M89456	BLADE - LOW LIFT
	M89454	BLADE - MEDIUM LIFT
	M89455	BLADE - HIGH LIFT - BAGGING
8	M112006	BELT MOWER DECK DRIVE
9	M89339	GAGE WHEEL

### Service Recommendations

### "As Needed" Parts

Qty	Part No	Item	Qty or Capacity	Change Interval in Hours
1	TY22076	2 1/2 Gal Turf Gard 10W30 Engine Oil	1.5 qt	5/50/100/150/200/250
2	AM116304	Fuel Filter	1	100/200
2	TY6341	JD Multi Purpose SD Polyurea Grease		As Needed

Qty	Part No	Item
1	M143004	Foam Air Filter
1	LG496894JD	Paper Air Filter
1	M89456	Blade - Low Lift
1	M89454	Blade - Medium Lift
1	M89455	Blade - High Lift
1	M94020	Belt - Traction Drive
1	M112006	Belt - Mower Deck Drive
1	AM131841	Key
1	AM105537	Fuel Cap
1	TY130907	Mower Deck Leveling Gauge
1	TY26183	Grease Gun

#### FOR ON-LINE PARTS ASSISTANCE:

- [www.deere.com](http://www.deere.com)
- Click on **Residential**
- Click on **Parts** to:
- Click on...
- **View Parts Catalogs** to look-up part numbers
- **JDParts** to order parts on-line from your dealer
- **Valuable Parts Coupons** for discounts at your dealer
- **Coolants, Oils & Lubricants** to learn about our quality fluids
- **Replacement Parts - The Quality Story** tells you 'why' John Deere branded parts are superior



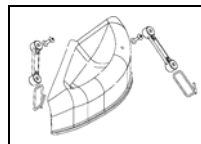
#### FOR ON-LINE SERVICE ASSISTANCE:

- [www.deere.com](http://www.deere.com)
- Click on **Residential**
- Click on **Services & Support**
- Click on **Service Solutions**
- Click on **Mobile Maintenance** for Ready To Mow AT HOME Service
- Click on **John Deere Service Plans** for extended warranty and free pick-up and delivery of your tractor



#### OTHER SITES:

- Home and Workshop Products
- [www.deere.com](http://www.deere.com)
- Click on **Residential**
- Under "All Residential Products" click on **Home & Workshop Products**
- **John Deere Credit**
- Go to [www.johndeerecredit.com](http://www.johndeerecredit.com) for John Deere Revolving Credit to find your finance solution
- **John Deere Gifts!**
- Go to [www.johndeeregifts.com](http://www.johndeeregifts.com) to stop by John Deere's "General Store" !!



Mulch Kit ..... BM17920

Dealer Name  
Contact Name  
Dealer Phone No



#### Home Maintenance Kit

Unit	Kit Number
GX85	N/A

