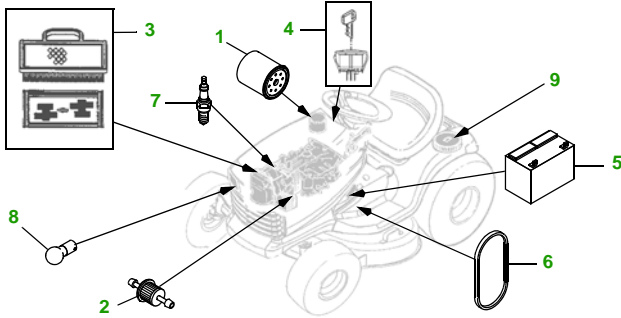


# MAINTENANCE REMINDER SHEET

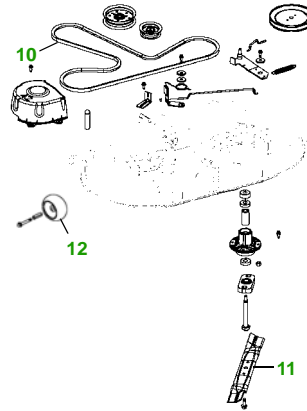
## L111 / L118 with 42" 3 in 1 Deck

### Lawn Tractor



Tractor S/N

### 42" 3 in 1 Deck



Deck S/N

Key	Part No.	Description
1	GY20577	OIL FILTER (PACKAGE)
2	AM116304	FUEL FILTER - IN-LINE
	GY20709	FUEL FILTER (PACKAGE)
3	GY20575	AIR FILTER (PACKAGE)
4	GY20680	KEY - PADDED (PACKAGE)
	GY20074	IGNITION SWITCH
5	TY25878	BATTERY
6	GX20006	BELT - TRACTION DRIVE

Key	Part No.	Description
7	M78543	SPARK PLUG
8	AD2062R	HEADLIGHT BULB
9	GX22166	FUEL CAP
10	GX20072	BELT (PACKAGE)
11	GX20249	BLADE - STANDARD
	GY20567	BLADE (PKG) (PACKAGED QTY - 2 BLADES)
	GX20433	BLADE - MULCH
12	GX10168	GAGE WHEEL

#### Service Recommendations

#### "As Needed" Parts

Qty	Part No	Item	Qty or Capacity	Change Interval in Hours
4	GY20577	Engine Oil Filter	1	5/50/100/200
9	TY22029 or TY22076	1 Qt. Engine Oil Turf Gard® 10W30 2 1/2 Gal. Engine Oil Turf Gard® 10W30	2.2 qt	5/50/100/200
1	AM116304	Fuel Filter	1	200
2	M78453	Spark Plug	2	200
2	GY20575	Air Filter	1	100/200
2	TY6431	JD Multi Purpose SD Polyurea Grease		As Needed

Qty	Part No	Item
1	GY20072	Belt - Mower Deck
1	GY20006	Belt - Traction Drive
2	GX20249	Blade - Standard
2	GX20433	Blade - Mulch
1	GY20680	Key Padded
1	GX22166	Fuel Cap
1	TY15272	Mower Deck Leveling Gauge
1	TY15410	Grease Gun

#### FOR ON-LINE PARTS ASSISTANCE:

• [www.deere.com](http://www.deere.com)

- Click on **Residential**
- Click on **Parts** to:
- Click on...



- **View Parts Catalogs** to look-up part numbers
- **JDParts** to order parts on-line from your dealer
- **Valuable Parts Coupons** for discounts at your dealer
- **Coolants, Oils & Lubricants** to learn about our quality fluids
- **Replacement Parts - The Quality Story** tells you 'why' John Deere branded parts are superior

#### FOR ON-LINE SERVICE ASSISTANCE:

• [www.deere.com](http://www.deere.com)

- Click on **Residential**
- Click on **Services & Support**
- Click on **Service Solutions**



- Click on **Mobile Maintenance** for Ready To Mow AT HOME Service
- Click on **John Deere Service Plans** for extended warranty and free pick-up and delivery of your tractor

#### OTHER SITES:

• Home and Workshop Products

• [www.deere.com](http://www.deere.com)

• Click on **Residential**

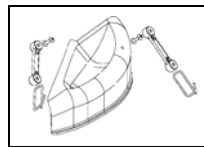
• Under "All Residential Products" click on **Home & Workshop Products**

• **John Deere Credit**

• Go to [www.johndeerecredit.com](http://www.johndeerecredit.com) for John Deere Revolving Credit to find your finance solution

• **John Deere Gifts!**

• Go to [www.johndeeregifts.com](http://www.johndeeregifts.com) to stop by John Deere's "General Store" !!



Mulch Cover Kit.....GY00115 (Package)

Dealer Name

Contact Name

Dealer Phone No



#### Home Maintenance Kit

Unit	Kit Number
L111	LG230
L118	LG230



JOHN DEERE