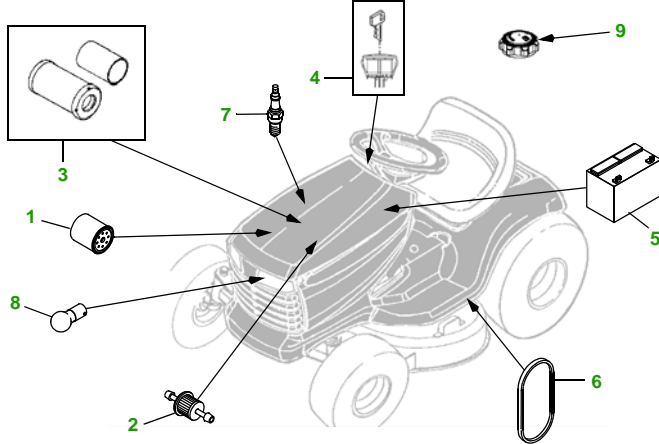


# MAINTENANCE REMINDER SHEET

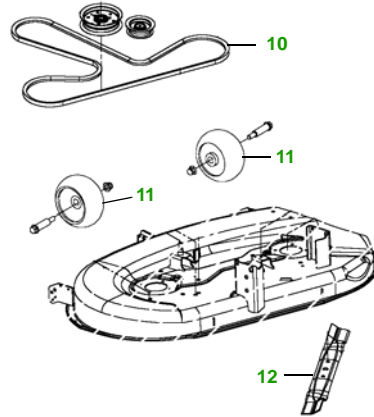
## LA125 with 42" Deck

### Tractor



Tractor S/N

### 42" Deck



Deck S/N

Key	Part No.	Description
1	AM125424	OIL FILTER
	GY20577	OIL FILTER (PACKAGE)
2	AM116304	FUEL FILTER - IN-LINE
	GY20709	FUEL FILTER (PACKAGE)
3	MIU11511	AIR FILTER
	MIU11513	AIR FILTER - PRE CLEAN
4	GY20680	KEY (PACKAGE)
	GY20074	IGNITION SWITCH
5	TY25878	BATTERY
6	GX20006	BELT - TRACTION DRIVE

Key	Part No.	Description
7	M78543	SPARK PLUG
8	AD2062R	HEADLIGHT BULB
9	GX22166	FUEL CAP
10	GX20072	BELT (PACKAGE)
11	GX10168	GAGE WHEEL
12	GX22151	3N1 BLADE - STANDARD
	GY20850	BLADE - (PKG) (PACKAGED QTY - 2 BLADES)
	AM137329	KIT - BAGGING BLADE
	AM137330	KIT - MULCHING BLADE

### Service Recommendations

### "As Needed" Parts

Qty	Part No	Item	Qty or Capacity	Change Interval in Hours
5	GY20577	Oil Filter - Package		50/100/150/200/250
9	TY22029	1 Qt. Engine Oil Turf Gard @ 10W30	1.5 qt	8/50/100/150/200/250
1	TY22076	2 1/2 Gal. Engine Oil Turf Gard @ 10W30		
5	MIU11511 MIU11513	Air Filters		50/100/150/200/250
5	GY20709	Fuel Filter - Package		50/100/150/200/250
5	M78543	Spark Plug	1	50/100/150/200/250
2	TY6341	JD Multi Purpose SD Polyurea Grease		As Needed

Qty	Part No	Item
1	GY20850	3n1 Blade - Standard - Package
1	AM137330	Kit - Mulching Blade
1	AM137329	Kit - Bagging Blade
1	GY20072	Belt - Mower deck - Package
1	GX20006	Belt - Traction Drive
1	GY20680	Key Padded - Package
1	GX22166	Fuel Cap
1	TY15272	Mower Deck Leveling Gauge
1	TY15410	Grease Gun

#### FOR ON-LINE PARTS ASSISTANCE:

• [www.deere.com](http://www.deere.com)

- Click on **Residential**
- Click on **Parts** to:
- Click on...



- **View Parts Catalogs** to look-up part numbers
- **JDParts** to order parts on-line from your dealer
- **Valuable Parts Coupons** for discounts at your dealer
- **Coolants, Oils & Lubricants** to learn about our quality fluids
- **Replacement Parts - The Quality Story** tells you 'why' John Deere branded parts are superior

#### FOR ON-LINE SERVICE ASSISTANCE:

• [www.deere.com](http://www.deere.com)

- Click on **Residential**
- Click on **Services & Support**
- Click on **Service Solutions**



- Click on **Mobile Maintenance** for Ready To Mow AT HOME Service
- Click on **John Deere Service Plans** for extended warranty and free pick-up and delivery of your tractor

#### OTHER SITES:

• Home and Workshop Products

• [www.deere.com](http://www.deere.com)

• Click on **Residential**

• Under "All Residential Products" click on **Home & Workshop Products**

• **John Deere Credit**

• Go to [www.johndeerecredit.com](http://www.johndeerecredit.com) for John Deere Revolving Credit to find your finance solution

• **John Deere Gifts!**

• Go to [www.johndeeregifts.com](http://www.johndeeregifts.com) to stop by John Deere's "General Store" !!



Mulch Cover Kit ..... GY00115 (PACKAGE)

Dealer Name

Contact Name

Dealer Phone No



### Home Maintenance Kit

Unit	Kit Number
LA125	LG262

