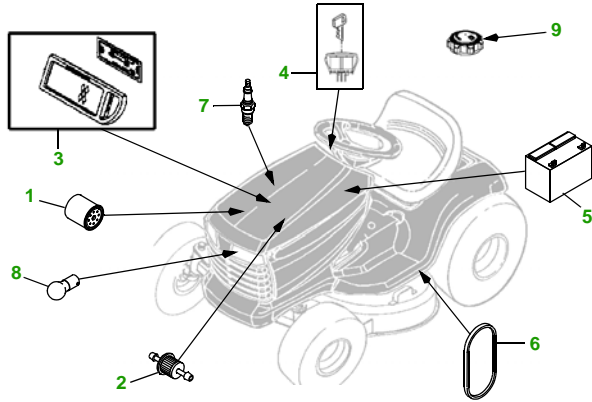


# MAINTENANCE REMINDER SHEET

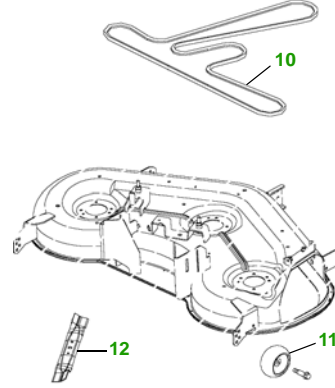
## LA150 with 54" Deck

### Tractor



Tractor S/N

### 54" Deck



Deck S/N

Key	Part No.	Description
1	AM125424	OIL FILTER
	GY20577	OIL FILTER (PACKAGE)
2	AM116304	FUEL FILTER - IN-LINE
	GY20709	FUEL FILTER (PACKAGE)
3	MIU11286	AIR FILTER - CARTRIDGE
	LG273638S	AIR FILTER - PRE CLEANER
	GY20575	AIR FILTER (PACKAGE)
4	GY20680	KEY (PACKAGE)
	GY20074	IGNITION SWITCH

Key	Part No.	Description
5	TY25878	BATTERY
6	GX20006	BELT - TRACTION DRIVE
7	M78543	SPARK PLUG
8	AD2062R	HEADLIGHT BULB
9	GX22166	FUEL CAP
10	GX21395	BELT
11	GX10168	GAGE WHEEL
12	GY20684	BLADE (PKG) (PACKAGED QTY - 3 BLADES)

### Service Recommendations

### "As Needed" Parts

Qty	Part No	Item	Qty or Capacity	Change Interval in Hours
5	AM125424	Oil Filter		50/100/150/200/250
12	TY22029	1 Qt. Engine Oil Turf Gard® 10W30	2.0 qt	8/50/100/150/200/250
2	TY22076	2 1/2 Gal. Engine Oil Turf Gard® 10W30		
5	MIU11286	Air Filter- Cartridge		50/100/150/200/250
5	LG273638S	Air Filter- Pre Cleaner		50/100/150/200/250
5	AM116304	Fuel Filter		50/100/150/200/250
10	M78543	Spark Plug	2	50/100/150/200/250
2	TY6341	JD Multi Purpose SD Polyurea Grease		As Needed

Qty	Part No	Item
1	GY20684	Blade Kit
1	GX21395	Belt - Mower deck
1	GX22006	Belt - Traction Drive
1	AM123426	Key Padded
1	GX22166	Fuel Cap
1	TY15272	Mower Deck Leveling Gauge
1	TY15410	Grease Gun

#### FOR ON-LINE PARTS ASSISTANCE:

- [www.deere.com](http://www.deere.com)
- Click on **Residential**
- Click on **Parts** to:
- Click on...
- **View Parts Catalogs** to look-up part numbers
- **JDParts** to order parts on-line from your dealer
- **Valuable Parts Coupons** for discounts at your dealer
- **Coolants, Oils & Lubricants** to learn about our quality fluids
- **Replacement Parts - The Quality Story** tells you 'why' John Deere branded parts are superior



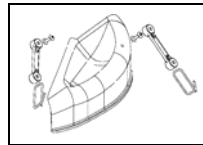
#### FOR ON-LINE SERVICE ASSISTANCE:

- [www.deere.com](http://www.deere.com)
- Click on **Residential**
- Click on **Services & Support**
- Click on **Service Solutions**
- Click on **Mobile Maintenance** for Ready To Mow AT HOME Service
- Click on **John Deere Service Plans** for extended warranty and free pick-up and delivery of your tractor



#### OTHER SITES:

- **Home and Workshop Products**
- [www.deere.com](http://www.deere.com)
- Click on **Residential**
- Under "All Residential Products" click on **Home & Workshop Products**
- **John Deere Credit**
- Go to [www.johndeerecredit.com](http://www.johndeerecredit.com) for John Deere Revolving Credit to find your finance solution
- **John Deere Gifts!!**
- Go to [www.johndeeregifts.com](http://www.johndeeregifts.com) to stop by John Deere's "General Store" !!



Mulch Kit ..... BG20304

Dealer Name  
Contact Name  
Dealer Phone No



### Home Maintenance Kit

Unit	Kit Number
LA150	LG230

