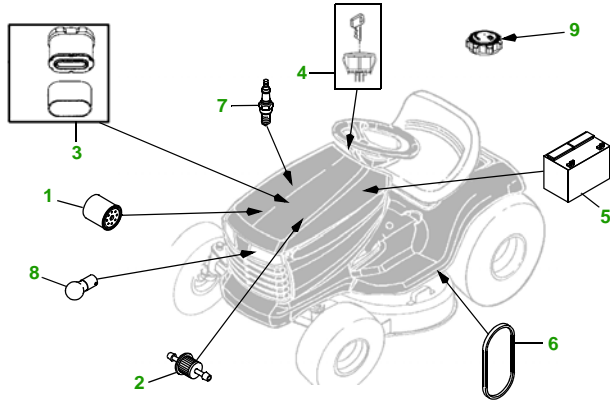


MAINTENANCE REMINDER SHEET

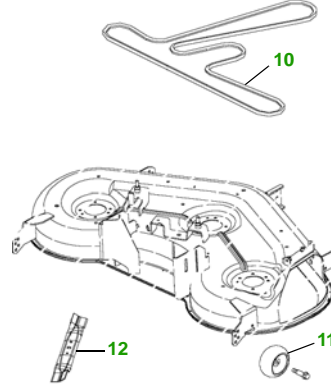
LA175 with 54" Deck

Tractor



Tractor S/N

54" Deck



Deck S/N

| Key | Part No. | Description |
|-----|----------|-----------------------|
| 1 | AM125424 | OIL FILTER |
| | GY20577 | OIL FILTER (PACKAGE) |
| 2 | AM116304 | FUEL FILTER - IN-LINE |
| | GY20709 | FUEL FILTER (PACKAGE) |
| 3 | GY21057 | AIR FILTER (PACKAGE) |
| 4 | GY20680 | KEY (PACKAGE) |
| | GY20074 | IGNITION SWITCH |
| 5 | TY25878 | BATTERY |
| 6 | GX20006 | BELT - TRACTION DRIVE |

| Key | Part No. | Description |
|-----|----------|---------------------------------------|
| 7 | M78543 | SPARK PLUG |
| 8 | AD2062R | HEADLIGHT BULB |
| 9 | GX22166 | FUEL CAP |
| 10 | GX21395 | BELT |
| 11 | GX10168 | GAGE WHEEL |
| 12 | GY20684 | BLADE (PKG) (PACKAGED QTY - 3 BLADES) |

Service Recommendations

"As Needed" Parts

| Qty | Part No | Item | Qty or Capacity | Change Interval in Hours |
|-----|---------|---|-----------------|--------------------------|
| 5 | GY20577 | Oil Filter - Package | | 50/100/150/200/250 |
| 12 | TY22029 | 1 Qt. Engine Oil Turf Gard @ 10W30 | 2.0 qt | 8/50/100/150/200/250 |
| 2 | TY22076 | 2 1/2 Gal. Engine Oil Turf Gard @ 10W30 | | |
| 5 | GY21057 | Air Filter - Package | | 50/100/150/200/250 |
| 5 | GY20709 | Fuel Filter - Package | | 50/100/150/200/250 |
| 10 | M78543 | Spark Plug | 2 | 50/100/150/200/250 |
| 2 | TY6341 | JD Multi Purpose SD Polyurea Grease | | As Needed |

| Qty | Part No | Item |
|-----|---------|---------------------------|
| 1 | GY20684 | Blade - Package |
| 1 | GX21395 | Belt - Mower deck |
| 1 | GX20006 | Belt - Traction Drive |
| 1 | GY20680 | Key Padded - Package |
| 1 | GX22166 | Fuel Cap |
| 1 | TY15272 | Mower Deck Leveling Gauge |
| 1 | TY15410 | Grease Gun |

FOR ON-LINE PARTS ASSISTANCE:

• www.deere.com

- Click on **Residential**
- Click on **Parts** to:
- Click on...



- **View Parts Catalogs** to look-up part numbers
- **JDParts** to order parts on-line from your dealer
- **Valuable Parts Coupons** for discounts at your dealer
- **Coolants, Oils & Lubricants** to learn about our quality fluids
- **Replacement Parts - The Quality Story** tells you 'why' John Deere branded parts are superior

FOR ON-LINE SERVICE ASSISTANCE:

• www.deere.com

- Click on **Residential**
- Click on **Services & Support**
- Click on **Service Solutions**



- Click on **Mobile Maintenance** for Ready To Mow AT HOME Service
- Click on **John Deere Service Plans** for extended warranty and free pick-up and delivery of your tractor

OTHER SITES:

• Home and Workshop Products

• www.deere.com

• Click on **Residential**

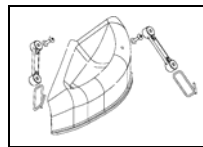
• Under "All Residential Products" click on **Home & Workshop Products**

• **John Deere Credit**

• Go to www.johndeerecredit.com for John Deere Revolving Credit to find your finance solution

• **John Deere Gifts!**

• Go to www.johndeeregifts.com to stop by John Deere's "General Store" !!



Mulch Kit BG20304

Dealer Name
Contact Name
Dealer Phone No



Home Maintenance Kit

| Unit | Kit Number |
|-------|------------|
| LA175 | LG264 |

