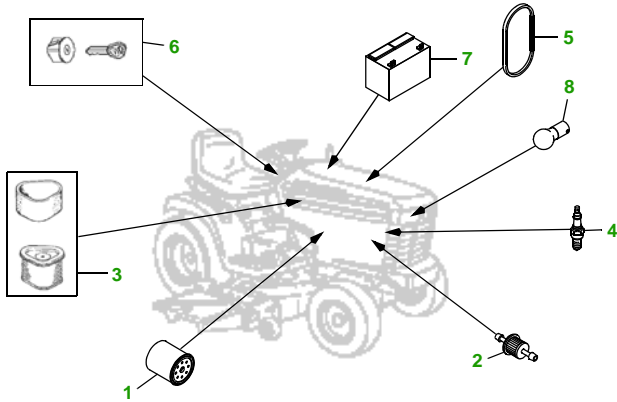


# MAINTENANCE REMINDER SHEET

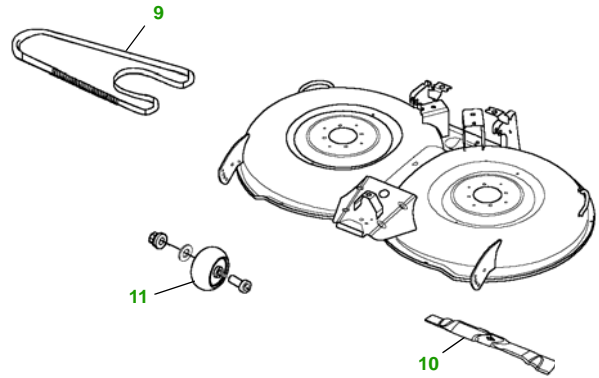
## LT133 with 42M Freedom Deck

### Lawn Tractor



Tractor S/N

### 42" Mulching Deck



Deck S/N

Key	Part No.	Description
1	AM125424	OIL FILTER
2	AM107314	FUEL FILTER - IN-LINE
3	GY20574	AIR FILTER KIT
4	M78543	SPARK PLUG
5	M126012	BELT - TRACTION DRIVE
6	GY20680	KEY - PADDED
	AM122881	IGNITION SWITCH (S/N —125000)
	AM130241	IGNITION SWITCH (S/N 125001—)

Key	Part No.	Description
7	TY25220	BATTERY
8	AD2062R	HALOGEN HEADLIGHT BULB
9	M127926	BELT- TIMING (S/N —125000)
	M150717	BELT- TIMING (S/N 125001—)
	M128733	BELT - DRIVE
10	AM130172	BLADE - KIT
11	AM116299	GAGE WHEEL

#### Service Recommendations

Qty	Part No	Item	Qty or Capacity	Change Interval in Hours
6	AM125424	Engine Oil Filter	1	5/50/100/150/200/250
2	TY22076	2 1/2 GAL. Engine Oil Turf Gard® 10W30	1.9 qt	5/50/100/150/200/250
2	AM107314	Fuel Filter	1	100/200
2	GY20574	Air Filter	1	100/200
2	TY6341	JD Multi Purpose SD Polyurea Grease		As Needed

#### "As Needed" Parts

Qty	Part No	Item
2	M78543	Spark Plug
1	M126012	Belt - Traction Drive
1	M128733	Belt - Mower Drive
1	M127926	Belt -Timing (S/N —125000)
1	M150717	Belt -Timing (S/N 125001—)
1	AM130172	Blade - Kit
1	GY20680	Key Padded
1	AM122880	Fuel Cap
1	TY15272	Mower Deck Leveling Gauge
1	TY15410	Grease Gun

#### FOR ON-LINE PARTS ASSISTANCE:

• [www.deere.com](http://www.deere.com)

- Click on **Residential**
- Click on **Parts** to:
- Click on...



- **View Parts Catalogs** to look-up part numbers
- **JDParts** to order parts on-line from your dealer
- **Valuable Parts Coupons** for discounts at your dealer
- **Coolants, Oils & Lubricants** to learn about our quality fluids
- **Replacement Parts - The Quality Story** tells you 'why' John Deere branded parts are superior

#### FOR ON-LINE SERVICE ASSISTANCE:

• [www.deere.com](http://www.deere.com)

- Click on **Residential**
- Click on **Services & Support**
- Click on **Service Solutions**



- Click on **Mobile Maintenance** for Ready To Mow AT HOME Service
- Click on **John Deere Service Plans** for extended warranty and free pick-up and delivery of your tractor

#### OTHER SITES:

• Home and Workshop Products

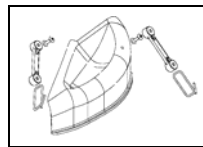
- [www.deere.com](http://www.deere.com)
- Click on **Residential**
- Under "All Residential Products" click on **Home & Workshop Products**

• John Deere Credit

- Go to [www.johndeerecredit.com](http://www.johndeerecredit.com) for John Deere Revolving Credit to find your finance solution

• John Deere Gifts!!

- Go to [www.johndeeregifts.com](http://www.johndeeregifts.com) to stop by John Deere's "General Store" !!



Tricycler Mulch Kit..... N/a

Dealer Name  
Contact Name  
Dealer Phone No



#### Home Maintenance Kit

Unit	Kit Number
LT133	LG191

