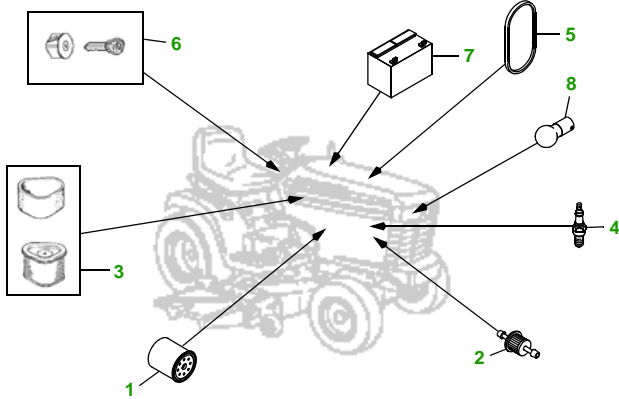


# MAINTENANCE REMINDER SHEET

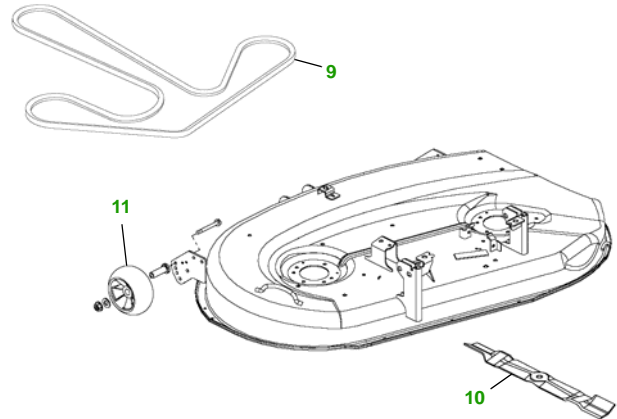
## LT150 with 42C Deck

### Lawn Tractor



Tractor S/N

### 42" Convertible Deck



Deck S/N

Key	Part No.	Description
1	AM125424	OIL FILTER
2	AM107314	FUEL FILTER - IN-LINE
3	GY20574	AIR FILTER KIT
4	M78543	SPARK PLUG
5	M144570	BELT - TRACTION DRIVE - GEAR
	M144044	BELT - TRACTION DRIVE - HYDRO
6	GY20680	KEY - PADDED
	AM132807	IGNITION SWITCH

Key	Part No.	Description
7	TY25878	BATTERY
8	AD2062R	HALOGEN HEADLIGHT BULB
9	M126536	BELT
10	AM137327	KIT - SIDE DISCHARGE BLADE - STANDARD
	AM137328	KIT - MULCHING BLADE
	AM137329	KIT - BAGGING BLADE
11	AM133602	GAGE WHEEL

#### Service Recommendations

#### "As Needed" Parts

Qty	Part No	Item	Qty or Capacity	Change Interval in Hours
6	AM125424	Engine Oil Filter	1	5/50/100/150/200/250
2	TY22076	2 1/2 GAL. Engine Oil Turf Gard® 10W30	2.0 qt	5/50/100/150/200/250
2	AM107314	Fuel Filter	1	100/200
2	GY20574	Air Filter	1	100/200
2	TY6341	JD Multi Purpose SD Polyurea Grease		As Needed

Qty	Part No	Item
2	M78543	Spark Plug
1	M144570	Belt - Traction Drive - Gear
1	M144044	Belt - Traction Drive - Hydro
1	M126536	Belt - Mower Deck
1	AM137327	Kit - Side Discharge Blade - Standard
1	AM137328	Kit - Mulching Blade
1	AM137329	Kit - Bagging Blade
1	GY20680	Key Padded
1	AM122880	Fuel Cap
1	TY15272	Mower Deck Leveling Gauge
1	TY15410	Grease Gun

#### FOR ON-LINE PARTS ASSISTANCE:

• [www.deere.com](http://www.deere.com)

- Click on **Residential**
- Click on **Parts** to:
- Click on...



- **View Parts Catalogs** to look-up part numbers
- **JDParts** to order parts on-line from your dealer
- **Valuable Parts Coupons** for discounts at your dealer
- **Coolants, Oils & Lubricants** to learn about our quality fluids
- **Replacement Parts - The Quality Story** tells you 'why' John Deere branded parts are superior

#### FOR ON-LINE SERVICE ASSISTANCE:

• [www.deere.com](http://www.deere.com)

- Click on **Residential**
- Click on **Services & Support**
- Click on **Service Solutions**



- Click on **Mobile Maintenance** for Ready To Mow AT HOME Service
- Click on **John Deere Service Plans** for extended warranty and free pick-up and delivery of your tractor

#### OTHER SITES:

• Home and Workshop Products

• [www.deere.com](http://www.deere.com)

• Click on **Residential**

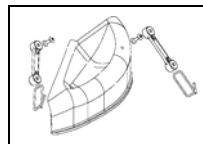
• Under "All Residential Products" click on **Home & Workshop Products**

• John Deere Credit

• Go to [www.johndeerecredit.com](http://www.johndeerecredit.com) for John Deere Revolving Credit to find your finance solution

• John Deere Gifts!!

• Go to [www.johndeeregifts.com](http://www.johndeeregifts.com) to stop by John Deere's "General Store" !!



Mulch Kit ..... N/A

Dealer Name

Contact Name

Dealer Phone No



#### Home Maintenance Kit

Unit	Kit Number
LT150	LG191

