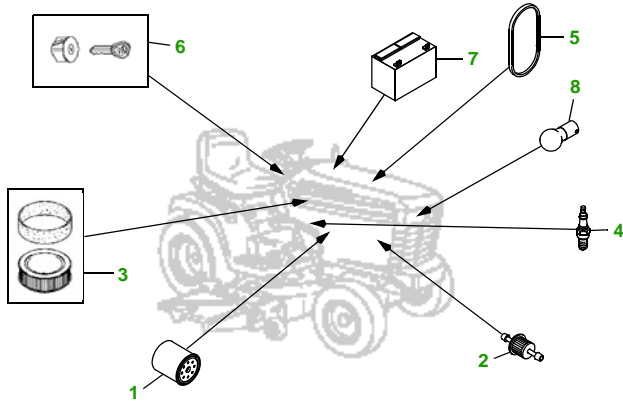


# MAINTENANCE REMINDER SHEET

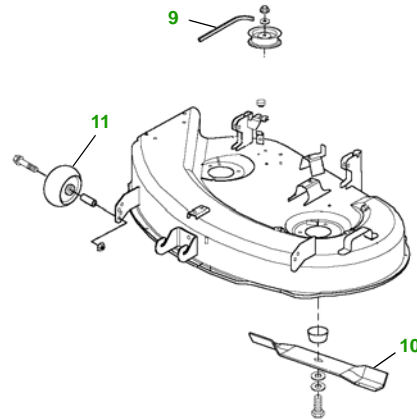
## LT170 with 38" Deck

### Lawn Tractor



Tractor S/N

### 38" Deck



Deck S/N

Key	Part No.	Description
1	AM125424	OIL FILTER
2	AM116304	FUEL FILTER - IN-LINE
3	LG272490S	AIR FILTER - FOAM
	LG394018JD	AIR FILTER - PAPER
4	M78543	SPARK PLUG
5	M144044	BELT - TRACTION DRIVE
6	GY20680	KEY - PADDED
	AM132807	IGNITION SWITCH

Key	Part No.	Description
7	TY25878	BATTERY
8	AD2062R	HALOGEN HEADLIGHT BULB
9	M126536	BELT
10	M82408	BLADE - LOW LIFT
	AM137324	KIT - SIDE DISCHARGE BLADE - STANDARD
	AM137326	KIT - BAGGING BLADE
11	M111489	GAGE WHEEL

### Service Recommendations

### "As Needed" Parts

Qty	Part No	Item	Qty or Capacity	Change Interval in Hours
6	AM125424	Engine Oil Filter	1	5/50/100/150/200/250
1	TY22076	2 1/2 GAL. Engine Oil Turf Gard ® 10W30	1.6 qt	5/50/100/150/200/250
2	AM116304	Fuel Filter	1	100/200
2	LG272490S	Air Filter - Foam	1	100/200
2	LG394018JD	Air Filter - Paper	1	100/200
2	TY6341	JD Multi Purpose SD Polyurea Grease		As Needed

Qty	Part No	Item
2	M78543	Spark Plug
1	M144044	Belt - Traction Drive
1	M126536	Belt - Mower Deck
2	M82408	Blade - Low Lift
1	AM137324	Kit - Side Discharge Blade - Standard
1	AM137326	Kit - Bagging Blade
1	GY20680	Key Padded
1	AM122880	Fuel Cap
1	TY15272	Mower Deck Leveling Gauge
1	TY15410	Grease Gun

#### FOR ON-LINE PARTS ASSISTANCE:

• [www.deere.com](http://www.deere.com)

- Click on **Residential**
- Click on **Parts** to:
- Click on...



- **View Parts Catalogs** to look-up part numbers
- **JDParts** to order parts on-line from your dealer
- **Valuable Parts Coupons** for discounts at your dealer
- **Coolants, Oils & Lubricants** to learn about our quality fluids
- **Replacement Parts - The Quality Story** tells you 'why' John Deere branded parts are superior

#### FOR ON-LINE SERVICE ASSISTANCE:

• [www.deere.com](http://www.deere.com)

- Click on **Residential**
- Click on **Services & Support**
- Click on **Service Solutions**



- Click on **Mobile Maintenance** for Ready To Mow AT HOME Service
- Click on **John Deere Service Plans** for extended warranty and free pick-up and delivery of your tractor

#### OTHER SITES:

• Home and Workshop Products

• [www.deere.com](http://www.deere.com)

• Click on **Residential**

• Under "All Residential Products" click on **Home & Workshop Products**

• John Deere Credit

• Go to [www.johndeerecredit.com](http://www.johndeerecredit.com) for John Deere Revolving Credit to find your finance solution

• John Deere Gifts!!

• Go to [www.johndeeregifts.com](http://www.johndeeregifts.com) to stop by John Deere's "General Store" !!



Mulch Kit ..... N/A

Dealer Name

Contact Name

Dealer Phone No



#### Home Maintenance Kit

Unit	Kit Number
LT170	LG190

