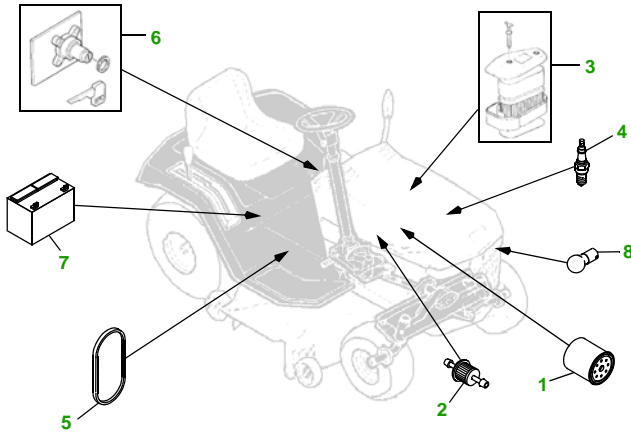


# MAINTENANCE REMINDER SHEET

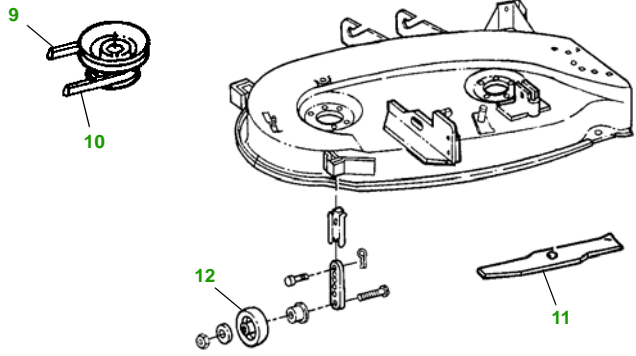
## LX173 with 38" Deck

### Lawn Tractor



Tractor S/N

### 38" Deck



Deck S/N

Key	Part No.	Description
1	AM101207	OIL FILTER
2	AM116304	FUEL FILTER - IN-LINE
3	GY20574	AIR FILTER
4	M78543	SPARK PLUG
5	M110367	BELT - TRACTION DRIVE
6	AM131841	KEY - PADDED
	AM120105	IGNITION SWITCH
7	TY25878	BATTERY

Key	Part No.	Description
8	AM106153	HALOGEN HEADLIGHT BULB
9	M77988	BELT - PRIMARY
10	M82462	BELT - SECONDARY
11	M82408	BLADE - LOW LIFT
	AM137324	KIT - SIDE DISCHARGE BLADE - STANDARD
	AM137326	KIT - BAGGING BLADE
12	M111489	GAGE WHEEL

### Service Recommendations

### "As Needed" Parts

Qty	Part No	Item	Qty or Capacity	Change Interval in Hours
3	AM101207	Engine Oil Filter	1	5/50/250
1	TY22076	2 1/2 GAL. Engine Oil Turf Gard @ 10W30	1.9 qt	5/50/150/250
2	TY6341	JD Multi Purpose SD Polyurea Grease		As Needed

Qty	Part No	Item
1	AM116304	Fuel Filter
1	GY20574	Air Filter
2	M78543	Spark Plug
1	M110367	Belt - Traction Drive
1	M77988	Belt - Primary
1	M82462	Belt - Secondary
2	M82408	Blade - Low Lift
1	AM137324	Kit - Side Discharge Blade - Standard
1	AM137326	Kit - Bagging Blade
1	AM131841	Key Padded
1	AM115497	Fuel Cap
1	TY15272	Mower Deck Leveling Gauge
1	TY15410	Grease Gun

#### FOR ON-LINE PARTS ASSISTANCE:

• [www.deere.com](http://www.deere.com)

- Click on **Residential**
- Click on **Parts** to:
- Click on...

- **View Parts Catalogs** to look-up part numbers
- **JDParts** to order parts on-line from your dealer
- **Valuable Parts Coupons** for discounts at your dealer
- **Coolants, Oils & Lubricants** to learn about our quality fluids
- **Replacement Parts - The Quality Story** tells you 'why' John Deere branded parts are superior



#### FOR ON-LINE SERVICE ASSISTANCE:

• [www.deere.com](http://www.deere.com)

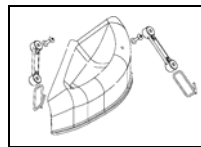
- Click on **Residential**
- Click on **Services & Support**
- Click on **Service Solutions**

- Click on **Mobile Maintenance** for Ready To Mow AT HOME Service
- Click on **John Deere Service Plans** for extended warranty and free pick-up and delivery of your tractor



#### OTHER SITES:

- **Home and Workshop Products**
  - [www.deere.com](http://www.deere.com)
  - Click on **Residential**
  - Under "All Residential Products" click on **Home & Workshop Products**
- **John Deere Credit**
  - Go to [www.johndeerecredit.com](http://www.johndeerecredit.com) for John Deere Revolving Credit to find your finance solution
- **John Deere Gifts!**
  - Go to [www.johndeeregifts.com](http://www.johndeeregifts.com) to stop by John Deere's "General Store" !!



Tricycler Mulch Kit..... BM20496

Dealer Name  
Contact Name  
Dealer Phone No



#### Home Maintenance Kit

Unit	Kit Number
LX173	LG191

