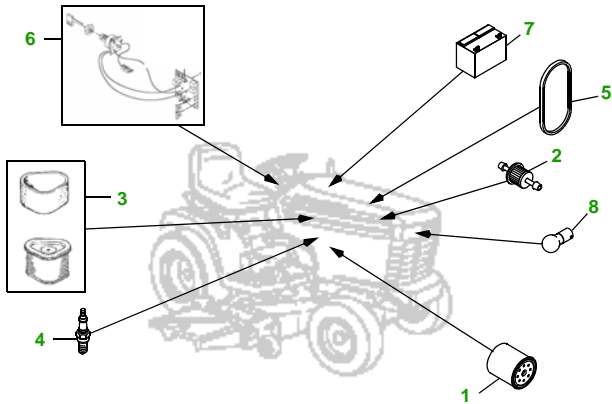


# MAINTENANCE REMINDER SHEET

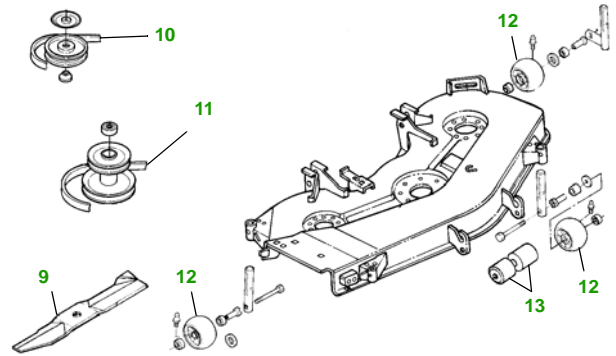
## LX277AWS with 48" Deck

### Lawn Tractor



Tractor S/N

### 48" Deck



Deck S/N

Key	Part No.	Description
1	AM107423	OIL FILTER
2	AM116304	FUEL FILTER - IN-LINE
3	MIU10955	FOAM AIR FILTER ELEMENT
	M137556	PAPER AIR FILTER ELEMENT
4	TY6081	SPARK PLUG
5	M127524	BELT - TRACTION DRIVE (S/N —060000)
	M147044	BELT - TRACTION DRIVE (S/N 060001—)
6	AM131841	KEY - PADDED
	AM132500	IGNITION SWITCH

Key	Part No.	Description
7	TY25881	BATTERY
8	AD2062R	HALOGEN HEADLIGHT BULB
9	M115495	BLADE - STANDARD
	M135589	BLADE - HIGH LIFT
10	M110312	BELT - PRIMARY
11	M154958	BELT - SECONDARY
12	AM133602	KIT - GAGE WHEEL - FRONT
	AM117478	KIT - GAGE WHEEL - REAR
13	M113955	ROLLER - 2.9 INCH
	M114002	ROLLER - 3.9 INCH

### Service Recommendations

Qty	Part No	Item	Qty or Capacity	Change Interval in Hours
4	AM107423	Engine Oil Filter	1	25/50/150/250
1	TY22076	2 1/2 GAL. Engine Oil Turf Gard® 10W30	1.9 qt	25/50/150/250
1	AM116304	Fuel Filter	1	200
2	TY6341	JD Multi Purpose SD Polyurea Grease		As Needed

### "As Needed" Parts

Qty	Part No	Item
1	AM116304	Fuel Filter
1	M137555	Air Filter - Foam
1	M137556	Air Filter - Paper
2	TY6081	Spark Plug
1	M127524	Belt - Traction Drive (S/N —060000)
1	M147044	Belt - Traction Drive (S/N 060001—)
1	M110312	Belt - Primary
1	M154958	Belt - Secondary
3	M115495	Blade - Standard
3	M135589	Blade - High Lift
1	AM131841	Key Padded
1	AM115497	Fuel Cap
1	TY15272	Mower Deck Leveling Gauge
1	TY15410	Grease Gun

#### FOR ON-LINE PARTS ASSISTANCE:

• [www.deere.com](http://www.deere.com)

- Click on **Residential**
- Click on **Parts** to:
- Click on...

- **View Parts Catalogs** to look-up part numbers
- **JDParts** to order parts on-line from your dealer
- **Valuable Parts Coupons** for discounts at your dealer
- **Coolants, Oils & Lubricants** to learn about our quality fluids
- **Replacement Parts - The Quality Story** tells you 'why' John Deere branded parts are superior

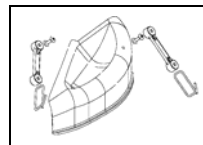
#### FOR ON-LINE SERVICE ASSISTANCE:

• [www.deere.com](http://www.deere.com)

- Click on **Residential**
- Click on **Services & Support**
- Click on **Service Solutions**
- Click on **Mobile Maintenance** for Ready To Mow AT HOME Service
- Click on **John Deere Service Plans** for extended warranty and free pick-up and delivery of your tractor

#### OTHER SITES:

- Home and Workshop Products
  - [www.deere.com](http://www.deere.com)
  - Click on **Residential**
  - Under "All Residential Products" click on **Home & Workshop Products**
- John Deere Credit
  - Go to [www.johndeerecredit.com](http://www.johndeerecredit.com) for John Deere Revolving Credit to find your finance solution
- John Deere Gifts!!
  - Go to [www.johndeeregifts.com](http://www.johndeeregifts.com) to stop by John Deere's "General Store" !!



Tricycler Mulch Kit.....BM19918

Dealer Name  
Contact Name  
Dealer Phone No



### Home Maintenance Kit

Unit	Kit Number
LX277AWS	LG195

