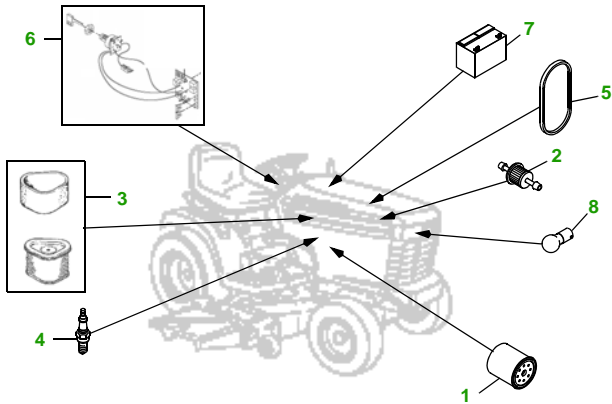


# MAINTENANCE REMINDER SHEET

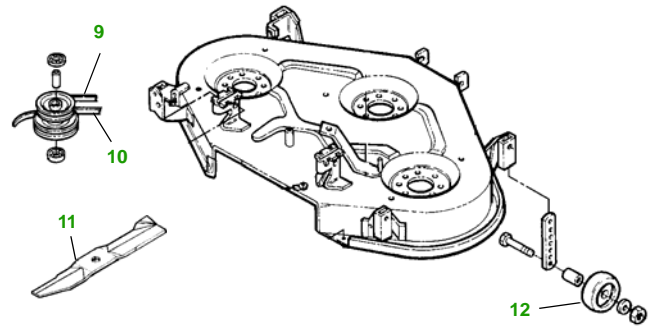
## LX277 with 44M Deck

### Lawn Tractor



Tractor S/N

### 44" Mulching Deck



Deck S/N

Key	Part No.	Description
1	AM107423	OIL FILTER
2	AM116304	FUEL FILTER - IN-LINE
3	MIU10955	FOAM AIR FILTER ELEMENT
	M137556	PAPER AIR FILTER ELEMENT
4	TY6081	SPARK PLUG
5	M146667	BELT - TRACTION DRIVE
6	AM131841	KEY - PADDED
	AM132500	IGNITION SWITCH

Key	Part No.	Description
7	TY25881	BATTERY
8	AD2062R	HALOGEN HEADLIGHT BULB
9	M119696	BELT - PRIMARY
10	M115776	BELT - SECONDARY
11	M119798	BLADE - MULCHING (TOP)
	M119799	BLADE - CUTTING (BOTTOM)
12	AM116299	GAGE WHEEL

#### Service Recommendations

Qty	Part No	Item	Qty or Capacity	Change Interval in Hours
4	AM107423	Engine Oil Filter	1	25/50/150/250
1	TY22076	2 1/2 GAL. Engine Oil Turf Gard® 10W30	1.9 qt	25/50/150/250
1	AM116304	Fuel Filter	1	200
2	TY6341	JD Multi Purpose SD Polyurea Grease		As Needed

#### "As Needed" Parts

Qty	Part No	Item
1	MIU10955	Air Filter - Foam
1	M137556	Air Filter - Paper
2	TY6081	Spark Plug
3	M119798	Blade - Mulching (Top)
3	M119799	Blade - Mulching (Bottom)
1	M146667	Belt - Traction Drive
1	M119696	Belt - Primary
1	M115776	Belt - Secondary
1	AM131841	Key Padded
1	AM115497	Fuel Cap
1	TY15272	Mower Deck Leveling Gauge
1	TY15410	Grease Gun

#### FOR ON-LINE PARTS ASSISTANCE:

• [www.deere.com](http://www.deere.com)

- Click on **Residential**
- Click on **Parts** to:
- Click on...



- **View Parts Catalogs** to look-up part numbers
- **JDParts** to order parts on-line from your dealer
- **Valuable Parts Coupons** for discounts at your dealer
- **Coolants, Oils & Lubricants** to learn about our quality fluids
- **Replacement Parts - The Quality Story** tells you 'why' John Deere branded parts are superior

#### FOR ON-LINE SERVICE ASSISTANCE:

• [www.deere.com](http://www.deere.com)

- Click on **Residential**
- Click on **Services & Support**
- Click on **Service Solutions**



- Click on **Mobile Maintenance** for Ready To Mow AT HOME Service
- Click on **John Deere Service Plans** for extended warranty and free pick-up and delivery of your tractor

#### OTHER SITES:

• Home and Workshop Products

• [www.deere.com](http://www.deere.com)

• Click on **Residential**

• Under "All Residential Products" click on **Home & Workshop Products**

• John Deere Credit

• Go to [www.johndeerecredit.com](http://www.johndeerecredit.com) for John Deere Revolving Credit to find your finance solution

• John Deere Gifts!!

• Go to [www.johndeeregifts.com](http://www.johndeeregifts.com) to stop by John Deere's "General Store" !!



Mulch Kit ..... N/A

Dealer Name

Contact Name

Dealer Phone No



#### Home Maintenance Kit

Unit	Kit Number
LX277	LG195

