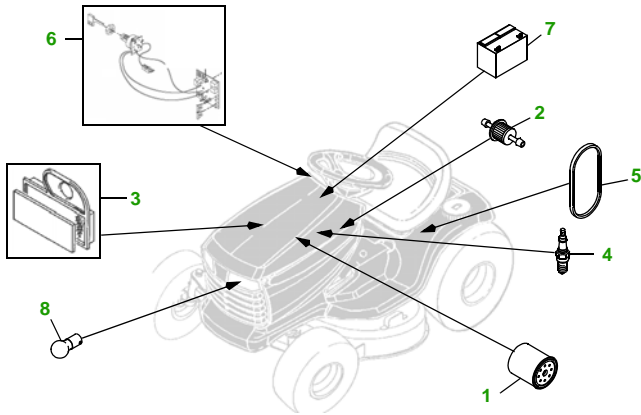


# MAINTENANCE REMINDER SHEET

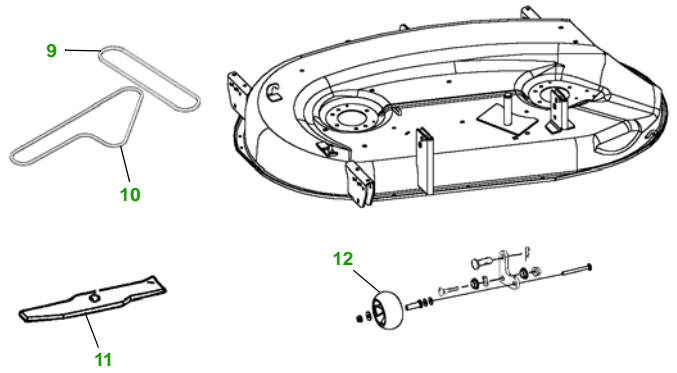
## LX280 with 42C Deck

### Lawn Tractor



Tractor S/N

### 42" Convertible Deck



Deck S/N

Key	Part No.	Description
1	AM107423	ENGINE OIL FILTER
2	AM116304	FUEL FILTER IN-LINE
3	MIU10955	FOAM AIR FILTER ELEMENT
	M137556	PAPER AIR FILTER ELEMENT
4	TY6081	SPARK PLUG
5	M147044	BELT - TRACTION DRIVE
6	AM131841	KEY - PADDED
	AM132500	IGNITION SWITCH

Key	Part No.	Description
7	TY25881	BATTERY
8	AD2062R	HALOGEN HEADLIGHT BULB
9	M143019	BELT - PRIMARY
10	M43820	BELT - SECONDARY
11	M148613	BLADE - STANDARD
	M139975	BLADE - MULCHING
12	AM133602	GAGE WHEEL

#### Service Recommendations

#### "As Needed" Parts

Qty	Part No	Item	Qty or Capacity	Change Interval in Hours
4	AM107423	Engine Oil Filter	1	25/50/150/250
1	TY22076	2 1/2 GAL. Engine Oil Turf Gard® 10W30	1.9 qt	25/50/150/250
1	AM116304	Fuel Filter	1	200
2	TY6341	JD Multi Purpose SD Polyurea Grease		As Needed

Qty	Part No	Item
1	MIU10955	Air Filter - Foam
1	M137556	Air Filter - Paper
2	TY6081	Spark Plug
1	M147044	Belt - Traction Drive
1	M143019	Belt - Primary
1	M43820	Belt - Secondary
2	M148613	Blade - Standard
2	M139975	Blade - Mulching
1	AM131841	Key Padded
1	AM123507	Fuel Cap
1	TY15272	Mower Deck Leveling Gauge
1	TY15410	Grease Gun

#### FOR ON-LINE PARTS ASSISTANCE:

• [www.deere.com](http://www.deere.com)

- Click on **Residential**
- Click on **Parts** to:
- Click on...



- **View Parts Catalogs** to look-up part numbers
- **JDParts** to order parts on-line from your dealer
- **Valuable Parts Coupons** for discounts at your dealer
- **Coolants, Oils & Lubricants** to learn about our quality fluids
- **Replacement Parts - The Quality Story** tells you 'why' John Deere branded parts are superior

#### FOR ON-LINE SERVICE ASSISTANCE:

• [www.deere.com](http://www.deere.com)

- Click on **Residential**
- Click on **Services & Support**
- Click on **Service Solutions**



- Click on **Mobile Maintenance** for Ready To Mow AT HOME Service
- Click on **John Deere Service Plans** for extended warranty and free pick-up and delivery of your tractor

#### OTHER SITES:

• Home and Workshop Products

• [www.deere.com](http://www.deere.com)

• Click on **Residential**

• Under "All Residential Products" click on **Home & Workshop Products**

• **John Deere Credit**

• Go to [www.johndeerecredit.com](http://www.johndeerecredit.com) for John Deere Revolving Credit to find your finance solution

• **John Deere Gifts!**

• Go to [www.johndeeregifts.com](http://www.johndeeregifts.com) to stop by John Deere's "General Store" !!



Mulch Kit ..... BM20008

Dealer Name  
Contact Name  
Dealer Phone No



Home Maintenance Kit

Unit	Kit Number
LX280	LG195

