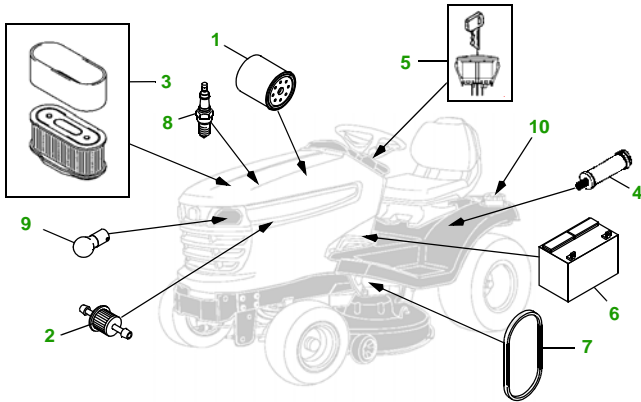


# MAINTENANCE REMINDER SHEET

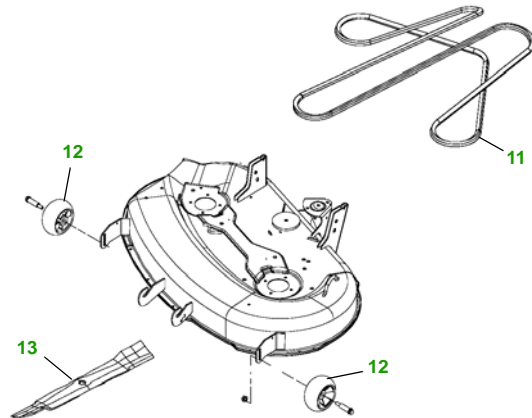
## X360 with 42" Edge Deck

### Tractor



### Tractor S/N

### 42" Edge Deck



### Deck S/N

Key	Part No.	Description
1	AM107423	OIL FILTER
2	AM116304	FUEL FILTER - IN-LINE
3	M140295	AIR FILTER - FOAM
	M150949	AIR FILTER - PAPER
4	MIU800986	TRANSMISSION FILTER
5	AM135345	KEY - PADDED
6	TY25878	BATTERY
7	M151277	BELT - TRACTION DRIVE

Key	Part No.	Description
8	M805853	SPARK PLUG
9	AD2062R	HEADLIGHT BULB
10	AM122880	FUEL CAP
11	M154621	BELT - MOWER DRIVE
12	M111489	GAGE WHEEL
13	AM137327	KIT - SIDE DISCHARGE BLADE - STANDARD
	AM137328	KIT - MULCHING BLADE
	AM137329	KIT - BAGGING BLADE

### Service Recommendations

Qty	Part No	Item	Qty or Capacity	Change Interval in Hours
3	AM107423	Oil Filter	1	8/100/200
7	TY22029	1 qt Engine Oil Turf Gard® 10W30	2.1qt	8/100/200
1	MIU800986	Transmission Filter	1	200
1	TY22000	1 gal HyGard LowVis Oil	3.0 qt	200
2	M140295	Air Filter - Foam	1	100/200
2	M150949	Air Filter - Paper	1	100/200
2	AM116304	Fuel Filter	1	100/200
4	M805853	Spark Plug	2	100/200
2	TY6341	JD Multi Purpose SD Polyurea Grease		As Needed

### "As Needed" Parts

Qty	Part No	Item
1	AM137327	Kit - Side Discharge Blade - Standard
1	AM137328	Kit - Mulching Blade
1	AM137329	Kit - Bagging Blade
1	M154621	Belt - Mower Drive
1	M151277	Belt - Traction Drive
1	AM135345	Key
1	AM122880	Fuel Cap
1	TY15272	Mower Deck Leveling Gauge
1	TY15410	Grease Gun

### FOR ON-LINE PARTS ASSISTANCE:

- [www.deere.com](http://www.deere.com)
- Click on **Residential**
- Click on **Parts** to:
- Click on...
- **View Parts Catalogs** to look-up part numbers
- **JDParts** to order parts on-line from your dealer
- **Valuable Parts Coupons** for discounts at your dealer
- **Coolants, Oils & Lubricants** to learn about our quality fluids
- **Replacement Parts - The Quality Story** tells you 'why' John Deere branded parts are superior



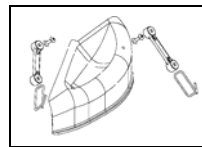
### FOR ON-LINE SERVICE ASSISTANCE:

- [www.deere.com](http://www.deere.com)
- Click on **Residential**
- Click on **Services & Support**
- Click on **Service Solutions**
- Click on **Mobile Maintenance** for Ready To Mow AT HOME Service
- Click on **John Deere Service Plans** for extended warranty and free pick-up and delivery of your tractor



### OTHER SITES:

- Home and Workshop Products
- [www.deere.com](http://www.deere.com)
- Click on **Residential**
- Under "All Residential Products" click on **Home & Workshop Products**
- **John Deere Credit**
- Go to [www.johndeerecredit.com](http://www.johndeerecredit.com) for John Deere Revolving Credit to find your finance solution
- **John Deere Gifts!**
- Go to [www.johndeeregifts.com](http://www.johndeeregifts.com) to stop by John Deere's "General Store" !!



Mulch Kit ..... BM20007

Dealer Name  
Contact Name  
Dealer Phone No



### Home Maintenance Kit

Unit	Kit Number
X360	LG249

