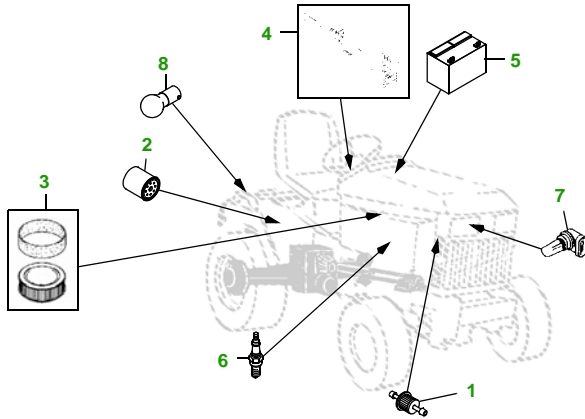


# MAINTENANCE REMINDER SHEET

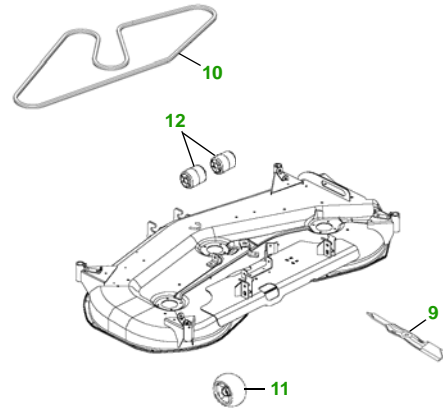
## X465 with 62C Deck

### Garden Tractor



Tractor S/N

### 62" Convertible Deck



Deck S/N

Key	Part No.	Description
1	AM116304	FUEL FILTER IN-LINE
2	AM131054	TRANSAXLE OIL FILTER
3	M149119	FOAM AIR FILTER ELEMENT
	M149118	PAPER AIR FILTER ELEMENT
4	AM131841	KEY
	AM132500	IGNITION SWITCH
5	TY25221	BATTERY (DRY)
6	M805853	SPARK PLUG

Key	Part No.	Description
7	R136239	HALOGEN HEADLIGHT BULB
8	M148478	TAIL LIGHT BULB
9	M143504	BLADE - STD
	M145719	BLADE - MULCHING
10	M142997	BELT
11	AM125172	KIT - GAGE WHEEL
12	M113955	FRONT ROLLER

#### Service Recommendations

Qty	Part No	Item	Qty or Capacity	Change Interval in Hours
2	TY22076	2 1/2 Gal. Engine Oil Turf Gard® 10W30	2.2 qt	50/250
2	AM131054	Trans Filter		50/250
4	TY22000	1 Gal Low Vis Hygard	2WS 7.0 qt AWS 6.0 qt	50/250
3				
1	M149119	Foam Air Filter Element	1	250
1	M149118	Paper Air Filter Element	1	250
2	AM116304	Fuel Filter	1	50/250
2	TY6341	JD Multi Purpose SD Polyurea Grease		As Needed

#### "As Needed" Parts

Qty	Part No	Item
2	M805583	Spark Plug
3	M143504	Blade - Standard
3	M145719	Blade - Mulching
1	M142997	Belt
1	AM131841	Key
1	AM122880	Fuel Cap
1	TY15272	Mower Deck Leveling Gauge
1	TY15410	Grease Gun

#### FOR ON-LINE PARTS ASSISTANCE:

• [www.deere.com](http://www.deere.com)

- Click on **Residential**
- Click on **Parts** to:
- Click on...



- **View Parts Catalogs** to look-up part numbers
- **JDParts** to order parts on-line from your dealer
- **Valuable Parts Coupons** for discounts at your dealer
- **Coolants, Oils & Lubricants** to learn about our quality fluids
- **Replacement Parts - The Quality Story** tells you 'why' John Deere branded parts are superior

#### FOR ON-LINE SERVICE ASSISTANCE:

• [www.deere.com](http://www.deere.com)

- Click on **Residential**
- Click on **Services & Support**
- Click on **Service Solutions**



- Click on **Mobile Maintenance** for Ready To Mow AT HOME Service
- Click on **John Deere Service Plans** for extended warranty and free pick-up and delivery of your tractor

#### OTHER SITES:

• Home and Workshop Products

• [www.deere.com](http://www.deere.com)

• Click on **Residential**

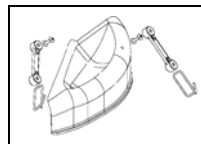
• Under "All Residential Products" click on **Home & Workshop Products**

• **John Deere Credit**

• Go to [www.johndeerecredit.com](http://www.johndeerecredit.com) for John Deere Revolving Credit to find your finance solution

• **John Deere Gifts!!**

• Go to [www.johndeeregifts.com](http://www.johndeeregifts.com) to stop by John Deere's "General Store" !!



Mulch Kit ..... BM21890

Dealer Name

Contact Name

Dealer Phone No



#### Home Maintenance Kit

Unit	Kit Number
X465	LG246

