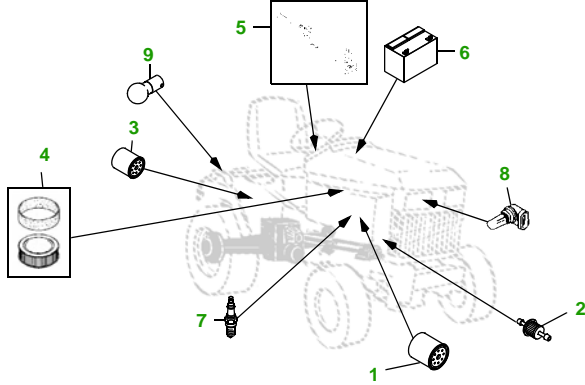


# MAINTENANCE REMINDER SHEET

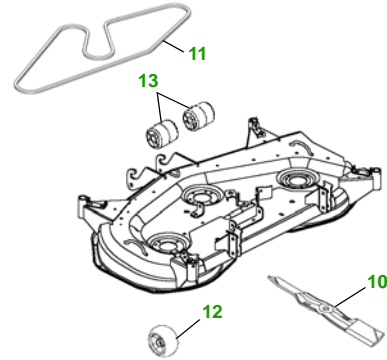
## X475 with 48C Deck

### Garden Tractor



Tractor S/N

### 48" Convertible Deck



Deck S/N

Key	Part No.	Description
1	AM107423.....	OIL FILTER
2	AM116304.....	FUEL FILTER IN-LINE
3	AM131054.....	TRANSAXLE OIL FILTER
4	M148207.....	FOAM AIR FILTER ELEMENT
	M152049.....	PAPER AIR FILTER ELEMENT
5	AM131841.....	KEY
	AM132500.....	IGNITION SWITCH
6	TY25221.....	BATTERY (DRY)

Key	Part No.	Description
7	M805853.....	SPARK PLUG
8	R136239.....	HALOGEN HEADLIGHT BULB
9	M148478.....	TAIL LIGHT BULB
10	M145476.....	BLADE - STD
	M127673.....	BLADE - MULCHING
11	M143888.....	BELT
12	AM125172.....	KIT - GAGE WHEEL
13	M113955.....	FRONT ROLLER

#### Service Recommendations

Qty	Part No	Item	Qty or Capacity	Change Interval in Hours
2	AM107423	Oil Filter	1	50/250
1	TY22076	2 1/2 Gal. Engine Oil Turf Gard® 10W30	1.9 qt	50/250
2	AM131054	Trans Filter	1	50/250
4	TY22000	1 Gal Low Vis Hygard	2WS 7.0 qt	50/250
3			AWS 6.0 qt	
1	M148207	Foam Air Filter Element	1	250
1	M152049	Paper Air Filter Element	1	250
2	TY25081	1 Gal Cool Gard Pre-diluted Coolant	4.2 qt	250
2	AM116304	Fuel Filter	1	50/250
2	TY6341	JD Multi Purpose SD Polyurea Grease		As Needed

#### "As Needed" Parts

Qty	Part No	Item
2	M805853	Spark Plug
3	M145476	Blade - Standard
3	M127673	Blade - Mulching
1	M143888	Belt
1	AM131841	Key
1	AM122880	Fuel Cap
1	TY15272	Mower Deck Leveling Gauge
1	TY15410	Grease Gun

#### FOR ON-LINE PARTS ASSISTANCE:

• [www.deere.com](http://www.deere.com)

- Click on **Residential**
- Click on **Parts** to:
- Click on...



- **View Parts Catalogs** to look-up part numbers
- **JDParts** to order parts on-line from your dealer
- **Valuable Parts Coupons** for discounts at your dealer
- **Coolants, Oils & Lubricants** to learn about our quality fluids
- **Replacement Parts - The Quality Story** tells you 'why' John Deere branded parts are superior

#### FOR ON-LINE SERVICE ASSISTANCE:

• [www.deere.com](http://www.deere.com)

- Click on **Residential**
- Click on **Services & Support**
- Click on **Service Solutions**



- Click on **Mobile Maintenance** for Ready To Mow AT HOME Service
- Click on **John Deere Service Plans** for extended warranty and free pick-up and delivery of your tractor

#### OTHER SITES:

• Home and Workshop Products

• [www.deere.com](http://www.deere.com)

• Click on **Residential**

• Under "All Residential Products" click on **Home & Workshop Products**

• **John Deere Credit**

• Go to [www.johndeerecredit.com](http://www.johndeerecredit.com) for John Deere Revolving Credit to find your finance solution

• **John Deere Gifts!**

• Go to [www.johndeeregifts.com](http://www.johndeeregifts.com) to stop by John Deere's "General Store" !!



Mulch Kit ..... BM20007

Dealer Name  
Contact Name  
Dealer Phone No



#### Home Maintenance Kit

Unit	Kit Number
X475	LG245

