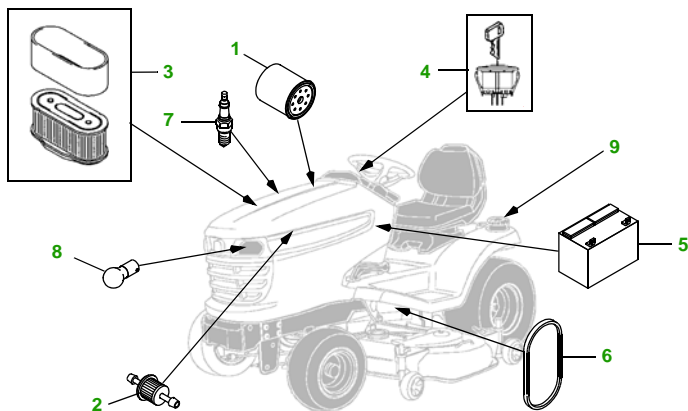


MAINTENANCE REMINDER SHEET

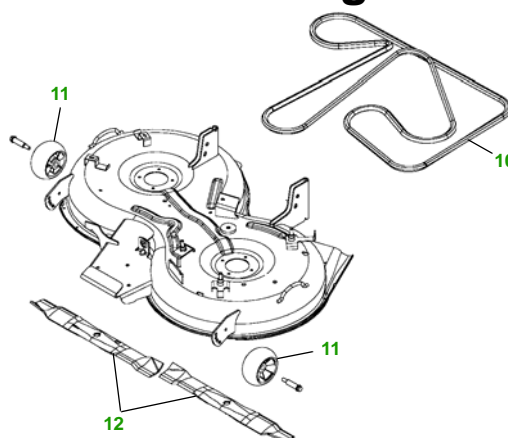
X500 with 42" Mulch Deck

Multi-Terrain Tractor



Tractor S/N

42" Mulching Deck



Deck S/N

Key	Part No.	Description
1	AM107423	OIL FILTER
2	AM116304	FUEL FILTER - IN-LINE
3	M140295	AIR FILTER - FOAM
4	M150949	AIR FILTER - PAPER
5	AM135345	KEY - PADDED
6	TY25876	BATTERY
7	M151276	BELT - TRACTION DRIVE

Key	Part No.	Description
7	M805853	SPARK PLUG
8	AD2062R	HEADLIGHT BULB
9	AM122880	FUEL CAP
10	M153160	BELT - MOWER DRIVE
11	M111489	GAGE WHEEL
12	AM137330	KIT - MULCHING BLADE

Service Recommendations

"As Needed" Parts

Qty	Part No	Item	Qty or Capacity	Change Interval in Hours
3	AM107423	Oil Filter	1	8/100/200
7	TY22029	1 Qt Engine Oil Turf Gard @ 10W30	2.1qt	8/100/200
2	M140295	Air Filter - Foam	1	100/200
2	M150949	Air Filter - Paper	1	100/200
2	AM116304	Fuel Filter	1	100/200
4	M805853	Spark Plug	2	100/200
2	TY6341	JD Multi Purpose SD Polyurea Grease		As Needed

Qty	Part No	Item
1	AM137330	Kit -Mulching Blade - 42"
1	M149421	Blade - 42" Mulching LH
1	M153160	Belt - Mower Drive
1	M151276	Belt - Traction Drive
1	AM135345	Key
1	AM122880	Fuel Cap
1	TY15272	Mower Deck Leveling Gauge
1	TY15410	Grease Gun

FOR ON-LINE PARTS ASSISTANCE:

• www.deere.com

- Click on **Residential**
- Click on **Parts** to:
- Click on...



- **View Parts Catalogs** to look-up part numbers
- **JDParts** to order parts on-line from your dealer
- **Valuable Parts Coupons** for discounts at your dealer
- **Coolants, Oils & Lubricants** to learn about our quality fluids
- **Replacement Parts - The Quality Story** tells you 'why' John Deere branded parts are superior

FOR ON-LINE SERVICE ASSISTANCE:

• www.deere.com

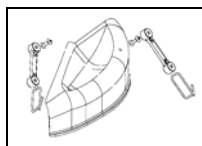
- Click on **Residential**
- Click on **Services & Support**
- Click on **Service Solutions**



- Click on **Mobile Maintenance** for Ready To Mow AT HOME Service
- Click on **John Deere Service Plans** for extended warranty and free pick-up and delivery of your tractor

OTHER SITES:

- **Home and Workshop Products**
 - www.deere.com
 - Click on **Residential**
 - Under "All Residential Products" click on **Home & Workshop Products**
- **John Deere Credit**
 - Go to www.johndeerecredit.com for John Deere Revolving Credit to find your finance solution
- **John Deere Gifts!**
 - Go to www.johndeeregifts.com to stop by John Deere's "General Store" !!



Mulch Kit N/A

Dealer Name
Contact Name
Dealer Phone No



Home Maintenance Kit

Unit	Kit Number
X500	LG249

