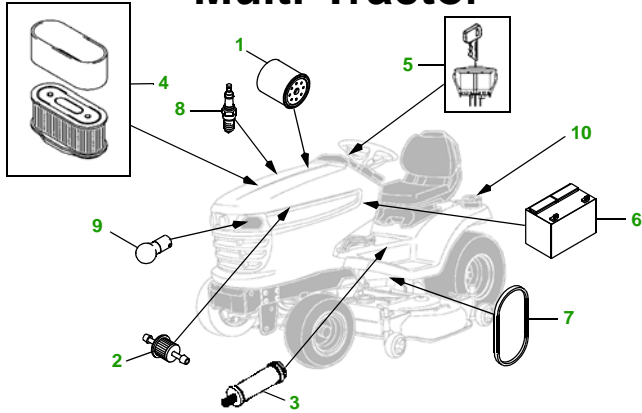


# MAINTENANCE REMINDER SHEET

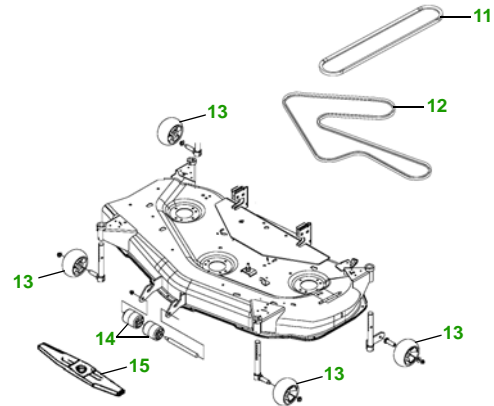
## X534 with 54" X Deck

### Multi-Tractor



Tractor S/N

### 54" X Deck



Deck S/N

Key	Part No.	Description
1	AM107423	OIL FILTER
2	AM116304	FUEL FILTER - IN-LINE
3	AM131102	TRANSMISSION FILTER
4	M140295	AIR FILTER - FOAM
	M150949	AIR FILTER - PAPER
5	AM135345	KEY - PADDED
6	TY25876	BATTERY
7	M151276	BELT - TRACTION DRIVE
8	M805853	SPARK PLUG

Key	Part No.	Description
9	AD2062R	HEADLIGHT BULB
10	AM122880	FUEL CAP
11	M154897	BELT - PRIMARY
12	M154960	BELT - SECONDARY
13	M111489	GAGE WHEEL
14	M113955	FRONT ROLLER
15	M143520	BLADE - STANDARD
	M145516	BLADE - MULCHING

#### Service Recommendations

#### "As Needed" Parts

Qty	Part No	Item	Qty or Capacity	Change Interval in Hours
3	AM107423	Oil Filter	1	8/100/200
7	TY22029	1 Qt Engine Oil Turf Gard @ 10W30	2.1qt	8/100/200
2	AM131102	Transmission Filter	1	50/200
3	TY22000	1 Gal Low Vis Hygard	5.6 qt	50/200
2	M140295	Air Filter - Foam	1	100/200
2	M150949	Air Filter - Paper	1	100/200
2	AM116304	Fuel Filter	1	100/200
4	M805853	Spark Plug	2	100/200
2	TY6341	JD Multi Purpose SD Polyurea Grease		As Needed

Qty	Part No	Item
3	M143520	Blade - 54" Standard
3	M145516	Blade - 54" Mulching
1	M154897	Belt - Primary
1	M154960	Belt - Secondary
1	M151276	Belt - Traction Drive
1	AM135345	Key
1	AM122880	Fuel Cap
1	TY15272	Mower Deck Leveling Gauge
1	TY15410	Grease Gun

#### FOR ON-LINE PARTS ASSISTANCE:

- [www.deere.com](http://www.deere.com)
- Click on **Residential**
- Click on **Parts** to:
- Click on...
- **View Parts Catalogs** to look-up part numbers
- **JDParts** to order parts on-line from your dealer
- **Valuable Parts Coupons** for discounts at your dealer
- **Coolants, Oils & Lubricants** to learn about our quality fluids
- **Replacement Parts - The Quality Story** tells you 'why' John Deere branded parts are superior



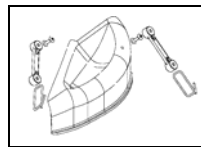
#### FOR ON-LINE SERVICE ASSISTANCE:

- [www.deere.com](http://www.deere.com)
- Click on **Residential**
- Click on **Services & Support**
- Click on **Service Solutions**
- Click on **Mobile Maintenance** for Ready To Mow AT HOME Service
- Click on **John Deere Service Plans** for extended warranty and free pick-up and delivery of your tractor



#### OTHER SITES:

- Home and Workshop Products
  - [www.deere.com](http://www.deere.com)
  - Click on **Residential**
  - Under "All Residential Products" click on **Home & Workshop Products**
- John Deere Credit
  - Go to [www.johndeerecredit.com](http://www.johndeerecredit.com) for John Deere Revolving Credit to find your finance solution
- John Deere Gifts!!
  - Go to [www.johndeeregifts.com](http://www.johndeeregifts.com) to stop by John Deere's "General Store" !!



Mulch Kit ..... BM20827

Dealer Name  
Contact Name  
Dealer Phone No



#### Home Maintenance Kit

Unit	Kit Number
X534	LG249

