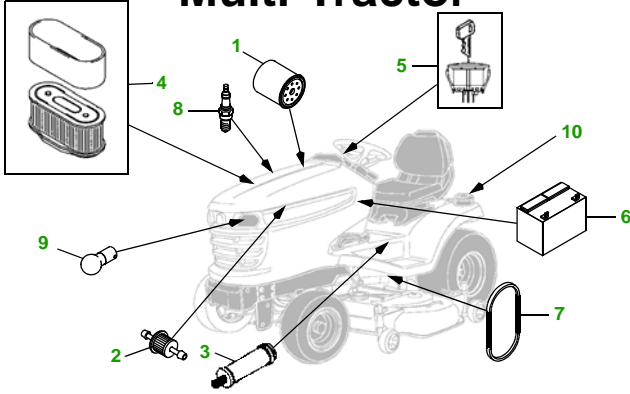


# MAINTENANCE REMINDER SHEET

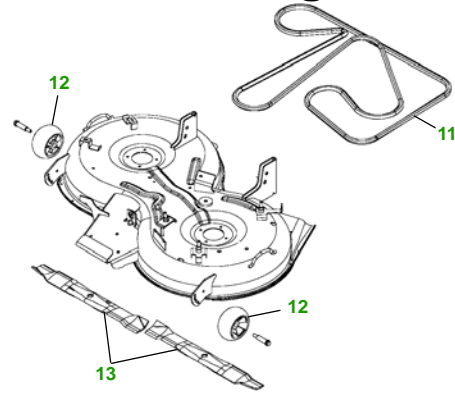
## X540 with 42" Mulch Deck

### Multi-Tractor



Tractor S/N

### 42" Mulching Deck



Deck S/N

Key	Part No.	Description
1	AM107423	.....OIL FILTER
2	AM116304	.....FUEL FILTER - IN-LINE
3	AM131102	.....TRANSMISSION FILTER
4	M140295	.....AIR FILTER - FOAM
	M150949	.....AIR FILTER - PAPER
5	AM135345	.....KEY - PADDED
6	TY25876	.....BATTERY
7	M151276	.....BELT - TRACTION DRIVE

Key	Part No.	Description
8	M805853	.....SPARK PLUG
9	AD2062R	.....HEADLIGHT BULB
10	AM122880	.....FUEL CAP
11	M153160	.....BELT - MOWER DRIVE
12	M111489	.....GAGE WHEEL
13	AM137330	.....KIT - MULCHING BLADE

#### Service Recommendations

Qty	Part No	Item	Qty or Capacity	Change Interval in Hours
3	AM107423	Oil Filter	1	8/100/200
8	TY22029	1 Qt Engine Oil Turf Gard @ 10W30	2.4qt	8/100/200
2	AM131102	Transmission Filter	1	50/200
3	TY22000	1 Gal Low Viscosity Hygard	5.6 qt	50/200
2	M140295	Air Filter - Foam	1	100/200
2	M150949	Air Filter - Paper	1	100/200
2	AM116304	Fuel Filter	1	100/200
4	M805853	Spark Plug	2	100/200
2	TY6341	JD Multi Purpose SD Polyurea Grease		As Needed

#### "As Needed" Parts

Qty	Part No	Item
1	AM137330	Kit -Mulching Blade - 42"
1	M153160	Belt - Mower Drive
1	M151276	Belt - Traction Drive
1	AM135345	Key
1	AM122880	Fuel Cap
1	TY15272	Mower Deck Leveling Gauge
1	TY15410	Grease Gun

#### FOR ON-LINE PARTS ASSISTANCE:

- [www.deere.com](http://www.deere.com)
- Click on **Residential**
- Click on **Parts** to:
- Click on...
- **View Parts Catalogs** to look-up part numbers
- **JDParts** to order parts on-line from your dealer
- **Valuable Parts Coupons** for discounts at your dealer
- **Coolants, Oils & Lubricants** to learn about our quality fluids
- **Replacement Parts - The Quality Story** tells you 'why' John Deere branded parts are superior



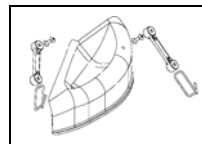
#### FOR ON-LINE SERVICE ASSISTANCE:

- [www.deere.com](http://www.deere.com)
- Click on **Residential**
- Click on **Services & Support**
- Click on **Service Solutions**
- Click on **Mobile Maintenance** for Ready To Mow AT HOME Service
- Click on **John Deere Service Plans** for extended warranty and free pick-up and delivery of your tractor



#### OTHER SITES:

- Home and Workshop Products
- [www.deere.com](http://www.deere.com)
- Click on **Residential**
- Under "All Residential Products" click on **Home & Workshop Products**
- **John Deere Credit**
- Go to [www.johndeerecredit.com](http://www.johndeerecredit.com) for John Deere Revolving Credit to find your finance solution
- **John Deere Gifts!!**
- Go to [www.johndeeregifts.com](http://www.johndeeregifts.com) to stop by John Deere's "General Store" !!



Mulch Kit ..... N/A

Dealer Name  
Contact Name  
Dealer Phone No



#### Home Maintenance Kit

Unit	Kit Number
X540	LG257

