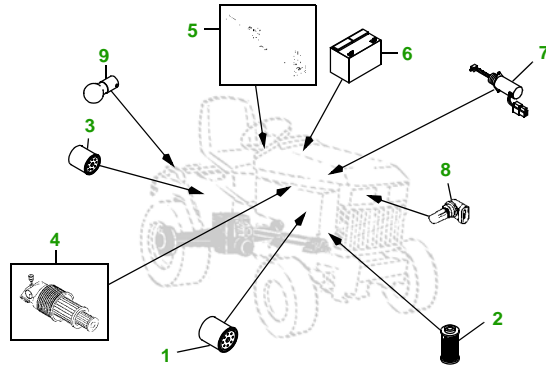


# MAINTENANCE REMINDER SHEET

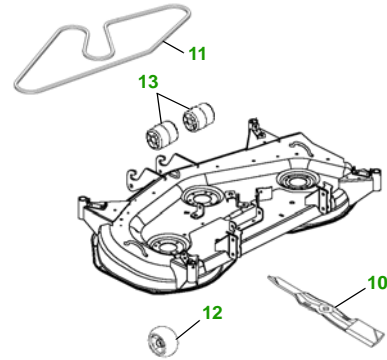
## X595 with 48C Deck

### Garden Tractor



**Tractor S/N**

### 48" Convertible Deck



**Deck S/N**

Key	Part No.	Description
1	M806418	OIL FILTER
2	CH15553	FUEL FILTER
3	AM131054	TRANSAXLE OIL FILTER
4	M113621	AIR FILTER - PRIMARY
	M123378	AIR FILTER - SECONDARY
5	AM131841	KEY
	AM132500	IGNITION SWITCH
6	TY25876	BATTERY (DRY)
7	M806808	FUEL SHUTOFF SOLENOID

Key	Part No.	Description
8	R136239	HALOGEN HEADLIGHT BULB
9	M148478	TAIL LIGHT BULB
10	M145476	BLADE - STD
	M127673	BLADE - MULCHING
11	M143888	BELT
12	AM125172	KIT - GAGE WHEEL
13	M113955	FRONT ROLLER

#### Service Recommendations

Qty	Part No	Item	Qty or Capacity	Change Interval in Hours
2	M806418	Oil Filter	1	50/250
5	TY22064	1 Qt Torq Gard Supreme Engine Oil @ 5W30	2.5 qt	50/250
2	AM131054	Trans Filter	1	50/250
4	TY22000	1 Gal Low Vis Hygard	4WD 7.0 qt	50/250
2	CH15553	Fuel Filter	1	50/250
1	TY25081	1 Gal Cool Gard Pre-diluted Coolant	3.0 qt	250
2	TY6341	JD Multi Purpose SD Polyurea Grease		As Needed

#### "As Needed" Parts

Qty	Part No	Item
1	M113621	Air Filter - Primary
1	M123378	Air Filter - Secondary
3	M145476	Blade - Standard
3	M127673	Blade - Mulching
1	M143888	Belt
1	AM131841	Key
1	AM123508	Fuel Cap
1	TY15272	Mower Deck Leveling Gauge
1	TY15410	Grease Gun

#### FOR ON-LINE PARTS ASSISTANCE:

• [www.deere.com](http://www.deere.com)

- Click on **Residential**
- Click on **Parts** to:
- Click on...



- **View Parts Catalogs** to look-up part numbers
- **JDParts** to order parts on-line from your dealer
- **Valuable Parts Coupons** for discounts at your dealer
- **Coolants, Oils & Lubricants** to learn about our quality fluids
- **Replacement Parts - The Quality Story** tells you 'why' John Deere branded parts are superior

#### FOR ON-LINE SERVICE ASSISTANCE:

• [www.deere.com](http://www.deere.com)

- Click on **Residential**
- Click on **Services & Support**
- Click on **Service Solutions**



- Click on **Mobile Maintenance** for Ready To Mow AT HOME Service
- Click on **John Deere Service Plans** for extended warranty and free pick-up and delivery of your tractor

#### OTHER SITES:

• Home and Workshop Products

• [www.deere.com](http://www.deere.com)

• Click on **Residential**

• Under "All Residential Products" click on **Home & Workshop Products**

• **John Deere Credit**

• Go to [www.johndeerecredit.com](http://www.johndeerecredit.com) for John Deere Revolving Credit to find your finance solution

• **John Deere Gifts!!**

• Go to [www.johndeeregifts.com](http://www.johndeeregifts.com) to stop by John Deere's "General Store" !!



Mulch Kit ..... BM20007

Dealer Name  
Contact Name  
Dealer Phone No



#### Home Maintenance Kit

Unit	Kit Number
X595	LG243

