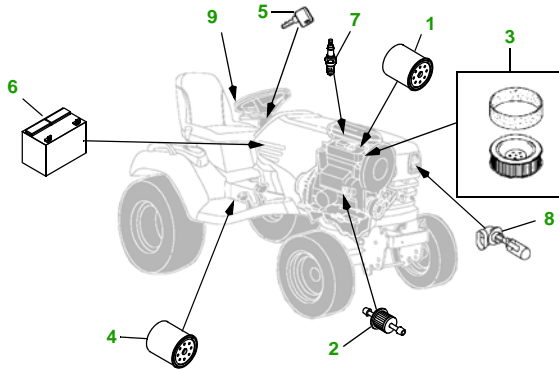


# MAINTENANCE REMINDER SHEET

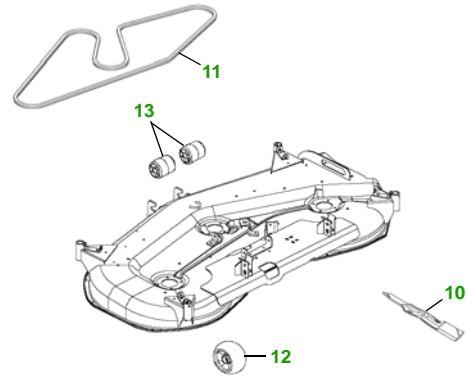
## X700 with 62C Deck

### Ultimate Tractor



Tractor S/N

### 62" Convertible Deck



Deck S/N

Key	Part No.	Description
1	AM107423	.....OIL FILTER
2	AM116304	.....FUEL FILTER - IN-LINE
3	M148207	.....AIR FILTER - FOAM
	M152049	.....AIR FILTER - PAPER
4	AM131054	.....TRANSMISSION FILTER
5	AM131841	.....KEY - PADDED
6	TY25221	.....BATTERY
7	M138938	.....SPARK PLUG

Key	Part No.	Description
8	R136239	.....HEADLIGHT BULB
9	AM122880	.....FUEL CAP
10	M143504	.....BLADE - STD
	M145719	.....BLADE - MULCHING
11	M142997	.....BELT
12	AM125172	.....KIT - GAGE WHEEL
13	M113955	.....FRONT ROLLER

### Service Recommendations

### "As Needed" Parts

Qty	Part No	Item	Qty or Capacity	Change Interval in Hours
3	AM107423	Oil Filter	1	8/100/200
2	TY22008	1 Gal. JD Plus 50 15W40 Engine Oil	1.9 qt	8/100/200
1	AM131054	Transmission Filter	1	200
2	TY22000	1 Gal Low Vis Hygard	6 qt (AWS) 7 qt (2WS)	200
1	M148207	Air Filter - Foam	1	200
1	M152049	Air Filter - Paper	1	200
2	AM116304	Fuel Filter	1	50/200
2	M138938	Spark Plug	2	200
2	TY6341	JD Multi Purpose SD Polyurea Grease		As Needed

Qty	Part No	Item
3	M143504	Blade - 62" Standard
3	M145719	Blade - 62" Mulching
3	M152727	Blade - 62" High Lift
1	M142997	Belt - Mower Drive (Secondary 62")
1	AM131841	Key - Padded
1	AM122880	Fuel Cap
1	TY15272	Mower Deck Leveling Gauge
1	TY15410	Grease Gun

#### FOR ON-LINE PARTS ASSISTANCE:

• [www.deere.com](http://www.deere.com)

- Click on **Residential**
- Click on **Parts** to:
- Click on...



- **View Parts Catalogs** to look-up part numbers
- **JDParts** to order parts on-line from your dealer
- **Valuable Parts Coupons** for discounts at your dealer
- **Coolants, Oils & Lubricants** to learn about our quality fluids
- **Replacement Parts - The Quality Story** tells you 'why' John Deere branded parts are superior

#### FOR ON-LINE SERVICE ASSISTANCE:

• [www.deere.com](http://www.deere.com)

- Click on **Residential**
- Click on **Services & Support**
- Click on **Service Solutions**



- Click on **Mobile Maintenance** for Ready To Mow AT HOME Service
- Click on **John Deere Service Plans** for extended warranty and free pick-up and delivery of your tractor

#### OTHER SITES:

• Home and Workshop Products

• [www.deere.com](http://www.deere.com)

• Click on **Residential**

• Under "All Residential Products" click on **Home & Workshop Products**

• **John Deere Credit**

• Go to [www.johndeerecredit.com](http://www.johndeerecredit.com) for John Deere Revolving Credit to find your finance solution

• **John Deere Gifts!**

• Go to [www.johndeeregifts.com](http://www.johndeeregifts.com) to stop by John Deere's "General Store" !!



Mulch Kit ..... BM21890

Dealer Name  
Contact Name  
Dealer Phone No



### Home Maintenance Kit

Unit	Kit Number
X700	LG245

