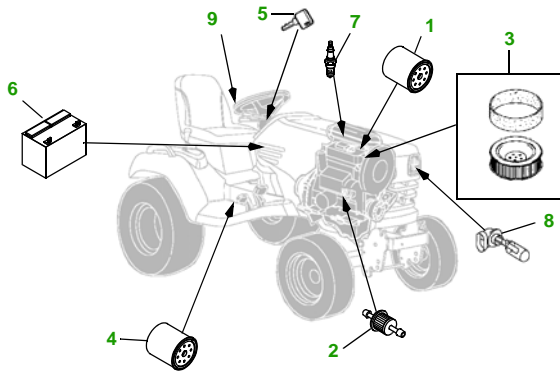


MAINTENANCE REMINDER SHEET

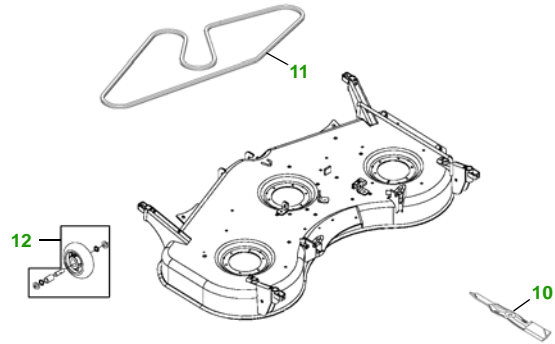
X700 with 62D Deck

Ultimate Tractor



Tractor S/N

62" Drive On Deck



Deck S/N

| Key | Part No. | Description |
|-----|----------|-----------------------|
| 1 | AM107423 | OIL FILTER |
| 2 | AM116304 | FUEL FILTER - IN-LINE |
| 3 | M148207 | AIR FILTER - FOAM |
| | M152049 | AIR FILTER - PAPER |
| 4 | AM131054 | TRANSMISSION FILTER |
| 5 | AM131841 | KEY - PADDED |
| 6 | TY25221 | BATTERY |
| 7 | M138938 | SPARK PLUG |

| Key | Part No. | Description |
|-----|----------|------------------|
| 8 | R136239 | HEADLIGHT BULB |
| 9 | AM122880 | FUEL CAP |
| 10 | | BLADE - STD |
| | | BLADE - MULCHING |
| 11 | | BELT |
| 12 | AM125172 | KIT - GAGE WHEEL |
| 13 | M113955 | FRONT ROLLER |

Service Recommendations

"As Needed" Parts

| Qty | Part No | Item | Qty or Capacity | Change Interval in Hours |
|-----|----------|-------------------------------------|--------------------------|--------------------------|
| 3 | AM107423 | Oil Filter | 1 | 8/100/200 |
| 2 | TY22008 | 1 Gal. JD Plus 50 15W40 Engine Oil | 1.9 qt | 8/100/200 |
| 1 | AM131054 | Transmission Filter | 1 | 200 |
| 2 | TY22000 | 1 Gal Low Vis Hygard | 6 qt (AWS) 7 qt (2WS) | 200 |
| 1 | M148207 | Air Filter - Foam | 1 | 200 |
| 1 | M152049 | Air Filter - Paper | 1 | 200 |
| 2 | AM116304 | Fuel Filter | 1 | 50/200 |
| 2 | M138938 | Spark Plug | 2 | 200 |
| 2 | TY6341 | JD Multi Purpose SD Polyurea Grease | | As Needed |

| Qty | Part No | Item |
|-----|----------|------------------------------------|
| 3 | M143504 | Blade - 62" Standard |
| 3 | M145719 | Blade - 62" Mulching |
| 3 | M152727 | Blade - 62" High Lift |
| 1 | M142997 | Belt - Mower Drive (Secondary 62") |
| 1 | AM131841 | Key - Padded |
| 1 | AM122880 | Fuel Cap |
| 1 | TY15272 | Mower Deck Leveling Gauge |
| 1 | TY15410 | Grease Gun |

FOR ON-LINE PARTS ASSISTANCE:

• www.deere.com

- Click on **Residential**
- Click on **Parts** to:
- Click on...

- **View Parts Catalogs** to look-up part numbers
- **JDParts** to order parts on-line from your dealer
- **Valuable Parts Coupons** for discounts at your dealer
- **Coolants, Oils & Lubricants** to learn about our quality fluids
- **Replacement Parts - The Quality Story** tells you 'why' John Deere branded parts are superior



FOR ON-LINE SERVICE ASSISTANCE:

• www.deere.com

- Click on **Residential**
- Click on **Services & Support**
- Click on **Service Solutions**

- Click on **Mobile Maintenance** for Ready To Mow AT HOME Service
- Click on **John Deere Service Plans** for extended warranty and free pick-up and delivery of your tractor



OTHER SITES:

• Home and Workshop Products

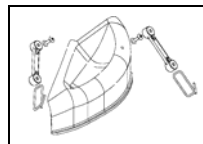
- www.deere.com
- Click on **Residential**
- Under "All Residential Products" click on **Home & Workshop Products**

• John Deere Credit

- Go to www.johndeerecredit.com for John Deere Revolving Credit to find your finance solution

• John Deere Gifts!!

- Go to www.johndeeregifts.com to stop by John Deere's "General Store" !!



Mulch Kit BM21890

Dealer Name
Contact Name
Dealer Phone No



Home Maintenance Kit

| Unit | Kit Number |
|------|------------|
| X700 | LG245 |

