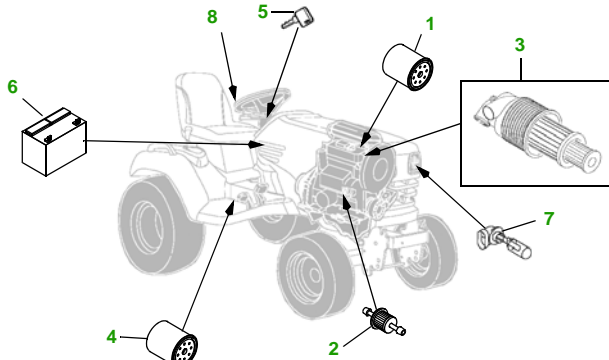


# MAINTENANCE REMINDER SHEET

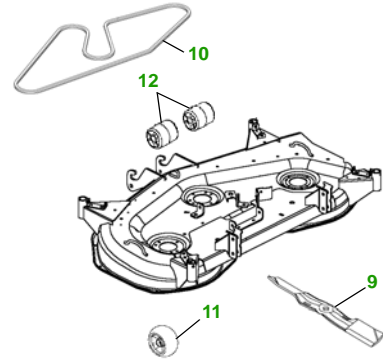
## X740 with 54C Deck

### Ultimate Tractor



Tractor S/N

### 54" Convertible Deck



Deck S/N

Key	Part No.	Description
1	M806418	OIL FILTER
2	M801101	FUEL FILTER
3	M113621	AIR FILTER - OUTER
	M123378	AIR FILTER - INNER
4	AM131054	TRANSMISSION FILTER
5	AM131841	KEY - PADDED
6	TY24467	BATTERY

Key	Part No.	Description
7	R136239	HEADLIGHT BULB
8	AM123508	FUEL CAP
9	M143520	BLADE - STD
	M145516	BLADE - MULCHING
10	M141627	BELT
11	AM125172	KIT - GAGE WHEEL
12	M113955	FRONT ROLLER

### Service Recommendations

### "As Needed" Parts

Qty	Part No	Item	Qty or Capacity	Change Interval in Hours
2	M806418	Oil Filter	1	50/200
2	TY22008	1 Gal. JD Plus 50 15W40 Engine Oil	2.25 qt	50/200
1	AM131054	Transmission Filter	1	200
2	TY22000	1 Gal Low Vis Hygard	7 qt (2WS)	200
2	M801101	Fuel Filter	1	50/200
2	TY6341	JD Multi Purpose SD Polyurea Grease		As Needed

Qty	Part No	Item
1	M113621	Air Filter - Outer
1	M123378	Air Filter - Inner
3	M143520	Blade - 54" Standard
3	M145516	Blade - 54" Mulching
1	M141627	Belt - Mower Drive (Secondary 54")
1	AM131841	Key - Padded
1	AM123508	Fuel Cap
1	TY15272	Mower Deck Leveling Gauge
1	TY15410	Grease Gun

#### FOR ON-LINE PARTS ASSISTANCE:

• [www.deere.com](http://www.deere.com)

- Click on **Residential**
- Click on **Parts** to:
- Click on...



- **View Parts Catalogs** to look-up part numbers
- **JDParts** to order parts on-line from your dealer
- **Valuable Parts Coupons** for discounts at your dealer
- **Coolants, Oils & Lubricants** to learn about our quality fluids
- **Replacement Parts - The Quality Story** tells you 'why' John Deere branded parts are superior

#### FOR ON-LINE SERVICE ASSISTANCE:

• [www.deere.com](http://www.deere.com)

- Click on **Residential**
- Click on **Services & Support**
- Click on **Service Solutions**



- Click on **Mobile Maintenance** for Ready To Mow AT HOME Service
- Click on **John Deere Service Plans** for extended warranty and free pick-up and delivery of your tractor

#### OTHER SITES:

• Home and Workshop Products

• [www.deere.com](http://www.deere.com)

• Click on **Residential**

• Under "All Residential Products" click on **Home & Workshop Products**

• **John Deere Credit**

• Go to [www.johndeerecredit.com](http://www.johndeerecredit.com) for John Deere Revolving Credit to find your finance solution

• **John Deere Gifts!!**

• Go to [www.johndeeregifts.com](http://www.johndeeregifts.com) to stop by John Deere's "General Store" !!



Mulch Kit ..... BM20827

Dealer Name

Contact Name

Dealer Phone No



### Home Maintenance Kit

Unit	Kit Number
X740	LG243

