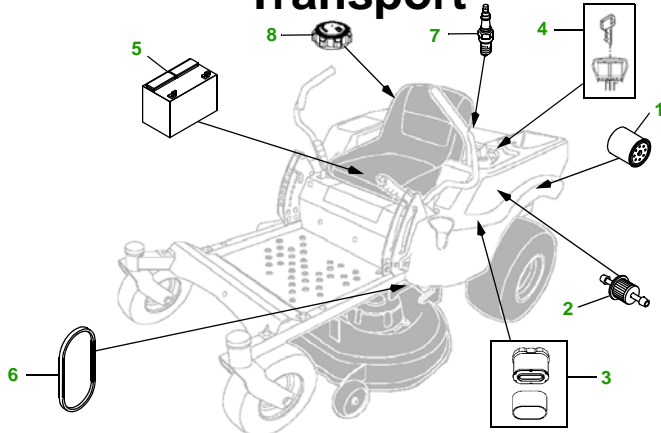


MAINTENANCE REMINDER SHEET

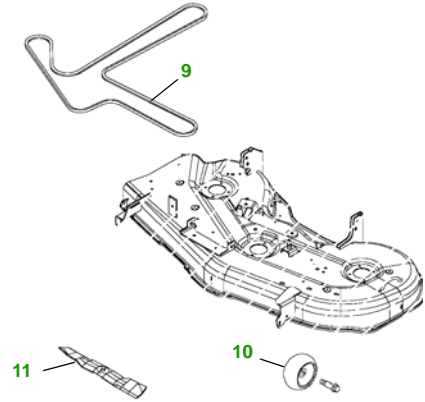
Z245 with 48" Deck

Transport



Transport S/N

48" Deck



Deck S/N

Key	Part No.	Description
1	AM125424	OIL FILTER
	GY20577	OIL FILTER (PACKAGE)
2	AM116304	FUEL FILTER - IN-LINE
	GY20709	FUEL FILTER (PACKAGE)
3	MIU11515	AIR FILTER - CARTRIDGE
	MIU11517	AIR FILTER - PRE CLEANER
4	GY20680	KEY (PACKAGE)
	AM131841	KEY PADDED
	TCA15075	IGNITION SWITCH

Key	Part No.	Description
5	TY25878	BATTERY
6	M155343	BELT - TRANSAXLE DRIVE
7	M78543	SPARK PLUG
8	AM122880	FUEL CAP
9	M154621	BELT - MOWER
10	GX10168	GAGE WHEEL
11	AM137757	BLADE KIT - 3 N 1
	AM137758	BLADE KIT - BAGGING

Service Recommendations

"As Needed" Parts

Qty	Part No	Item	Qty or Capacity	Change Interval in Hours
6	AM125424	Oil Filter		8/50/100/150/200/250
2	TY22076	2 1/2 Gal. Engine Oil Turf Gard® 10W30	1.8 qt	8/50/100/150/200/250
2	MIU11515	Air Filter- Cartridge		100/200
2	MIU11517	Air Filter- Pre Cleaner		100/200
2	AM116304	Fuel Filter		100/200
4	M78543	Spark Plug	2	100/200
2	TY6341	JD Multi Purpose SD Polyurea Grease		As Needed

Qty	Part No	Item
1	AM137757	Blade Kit - 3 N 1
1	AM137758	Blade Kit - Bagging
1	M155343	Belt - Transaxle Drive
1	M154621	Belt - Mower
1	GY20680	Key - Package
1	AM122880	Fuel Cap
1	TY15272	Mower Deck Leveling Gauge
1	TY15410	Grease Gun

FOR ON-LINE PARTS ASSISTANCE:

• www.deere.com

- Click on **Residential**
- Click on **Parts** to:
- Click on...



- **View Parts Catalogs** to look-up part numbers
- **JDParts** to order parts on-line from your dealer
- **Valuable Parts Coupons** for discounts at your dealer
- **Coolants, Oils & Lubricants** to learn about our quality fluids
- **Replacement Parts - The Quality Story** tells you 'why' John Deere branded parts are superior

FOR ON-LINE SERVICE ASSISTANCE:

• www.deere.com

- Click on **Residential**
- Click on **Services & Support**
- Click on **Service Solutions**



- Click on **Mobile Maintenance** for Ready To Mow AT HOME Service
- Click on **John Deere Service Plans** for extended warranty and free pick-up and delivery of your tractor

OTHER SITES:

• Home and Workshop Products

• www.deere.com

• Click on **Residential**

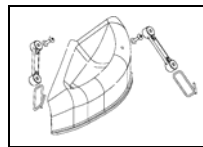
• Under "All Residential Products" click on **Home & Workshop Products**

• **John Deere Credit**

• Go to www.johndeerecredit.com for John Deere Revolving Credit to find your finance solution

• **John Deere Gifts!**

• Go to www.johndeeregifts.com to stop by John Deere's "General Store" !!



Mulch Cover Kit GY20417

Dealer Name
Contact Name
Dealer Phone No



Home Maintenance Kit

Unit	Kit Number
Z245	LG264

