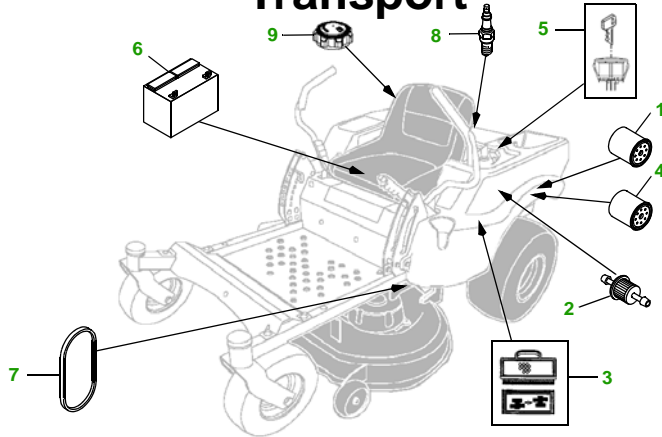


# MAINTENANCE REMINDER SHEET

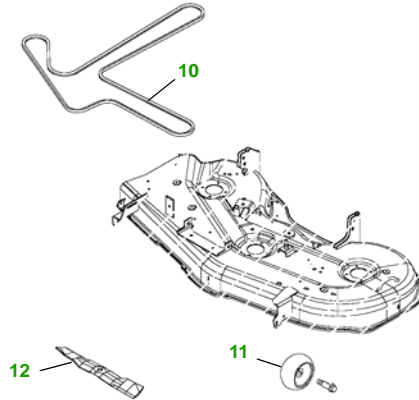
## Z425 with 48" Deck

### Transport



Transport S/N

### 48" Deck



Deck S/N

Key No.	Part No.	Description
1	AM125424	OIL FILTER
	GY20577	OIL FILTER (PACKAGE)
2	AM116304	FUEL FILTER - IN-LINE
	GY20709	FUEL FILTER (PACKAGE)
3	MIU11286	AIR FILTER - CARTRIDGE
	LG273638S	AIR FILTER - PRE CLEANER
	GY20575	AIR FILTER KIT (PACKAGE)
4	AM131054	HYDRAULIC FILTER
5	GY20680	KEY (PACKAGE)

Key No.	Part No.	Description
	TCA15075	IGNITION SWITCH
6	TY25878	BATTERY
7	M154157	BELT - HYDRO DRIVE
	M147278	BELT - POWER FLO
8	M78543	SPARK PLUG
9	AM122880	FUEL CAP
10	M154295	BELT - MOWER
11	GX10168	GAGE WHEEL
12	M145476	BLADE

### Service Recommendations

### "As Needed" Parts

Qty	Part No	Item	Qty or Capacity	Change Interval in Hours
3	AM125424	Oil Filter		8/100/200
6	TY22029	1 Qt. Engine Oil Turf Gard @ 10W30	1.8 qt	8/100/200
1	TY22076	2 1/2 Gal. Engine Oil Turf Gard @ 10W30		
2	MIU11286	Air Filter- Cartridge		100/200
2	LG273638S	Air Filter- Pre Cleaner		100/200
2	AM116304	Fuel Filter		100/200
4	M78543	Spark Plug	2	100/200
2	TY6341	JD Multi Purpose SD Polyurea Grease		As Needed

Qty	Part No	Item
1	AM131054	Hydraulic Filter
3	M145476	Blade
1	M154157	Belt - Hydro Drive
1	M147278	Belt - Power Flo
1	M154295	Belt - Mower
1	AM131841	Key Padded
1	AM122880	Fuel Cap
1	TY15272	Mower Deck Leveling Gauge
1	TY15410	Grease Gun

#### FOR ON-LINE PARTS ASSISTANCE:

• [www.deere.com](http://www.deere.com)

- Click on **Residential**
- Click on **Parts** to:
- Click on...



- **View Parts Catalogs** to look-up part numbers
- **JDParts** to order parts on-line from your dealer
- **Valuable Parts Coupons** for discounts at your dealer
- **Coolants, Oils & Lubricants** to learn about our quality fluids
- **Replacement Parts - The Quality Story** tells you 'why' John Deere branded parts are superior

#### FOR ON-LINE SERVICE ASSISTANCE:

• [www.deere.com](http://www.deere.com)

- Click on **Residential**
- Click on **Services & Support**
- Click on **Service Solutions**



- Click on **Mobile Maintenance** for Ready To Mow AT HOME Service
- Click on **John Deere Service Plans** for extended warranty and free pick-up and delivery of your tractor

#### OTHER SITES:

• Home and Workshop Products

• [www.deere.com](http://www.deere.com)

• Click on **Residential**

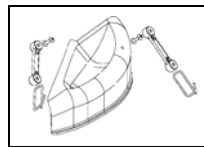
• Under "All Residential Products" click on **Home & Workshop Products**

• **John Deere Credit**

• Go to [www.johndeerecredit.com](http://www.johndeerecredit.com) for John Deere Revolving Credit to find your finance solution

• **John Deere Gifts!**

• Go to [www.johndeeregifts.com](http://www.johndeeregifts.com) to stop by John Deere's "General Store" !!



Mulch Kit ..... BM20007

Dealer Name  
Contact Name  
Dealer Phone No



#### Home Maintenance Kit

Unit	Kit Number
Z425	LG230

