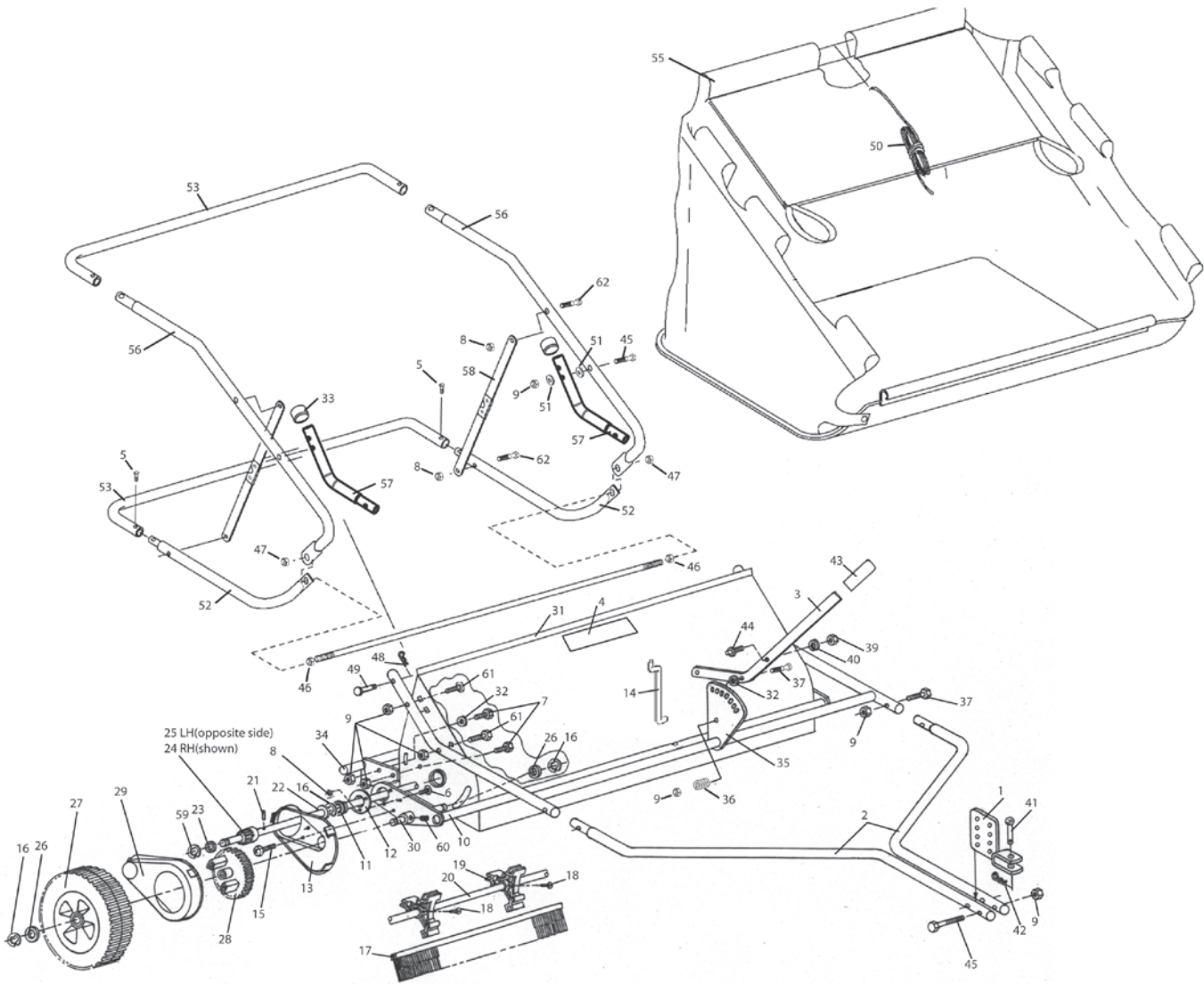


Product #: LPSTS42JD

Description: 42-Inch Sweeper



PARTS LIST

REF. NO.	PART NO.	DESCRIPTION	QTY.
1.	B1HR22510	Hitch Clevis Assembly	2
2.	B1HR225410C	Tow Tube	4
3.		Lift Handle	
4.		Logo Decal	
5.		Self-Taping Screw	
6.		Carriage Bolt	
7.		Hex Bolt	
8.		Hex Lock Nut	
9.		Nylon Insert Lock Nut	
10.	B1HR241510C	Lower Pivot Assembly	2
11.	B1HR2288	Bearing Assembly	4
12.	B1HR2289	Bearing Retainer	2
13.	B1HR22931	Inner Dust Shield	4
14.	B1HR2416	Lift Link	2
15.		Self-Taping Screw	
16.	B1HF577	"E" Ring	10
17.	B1HR2205	Brush Section	15
18.		Thread Form Screw #12	
19.	B1HR2281	Brush Holder	12
20.	B1HR225901	Brush Axle	2
21.	B1HR2261	Dowel Pin	50
22.		Washer	
23.	B1HR2263	Washer	10
24.	B1HR2279RH	Drive Pinion, Rt	30
25.	B1HR2279LH	Drive Pinion, Lft	30
26.	B1HB4768	Machinery Bushing	10
27.		Wheel	
28.	B1HR2280	Drive Gear	4
29.	B1HR22932	Outer Gear Cover	4
30.		Wheel Axle	
31.		Brush Housing Assembly	
32.		Flat Washer	

* For warranty or replacement parts on licensed product please call John Deere Special Services at 1-866-218-8622.

PARTS LIST

REF. NO.	PART NO.	DESCRIPTION	QTY.
33.		Vinyl Cap	50.
34.		Hamper S top Assembly	51.
35.	B1HR229010C	Upper Frame Assembly	2
36.	B1HB3805	Spring	4
37.		Hex Bolt	53.
38.		Hex Nut	54.
39.		Lock Washer	55.
40.		Hitch Pin	2
41.	B1HB3861	Hairpin Cotter	4
42.		Flat Grip	4
43.	B1HB3307S	Lock Pin	4
44.		Hex Bolt	4
45.		Hex Nut	4
46.		Lock Nut	4
47.		Hairpin Cotter	4
48.	B1HR2303	Clevis Pin	4
50.	B1HR2304	Hamper Pull Rope	1
51.		Special Washer	1
52.		Lower Tube	1
53.		Rear Tube	1
54.		Hamper S top Rod	1
55.	B1HR2420	Hamper/Wind Screen	2
56.		Hamper Side Tube	2
57.	B1HB671510C	Hamper Tube	4
58.	B1HR2302	Spreader Bar Assembly	4
59.	B1HR2320	External Retaining Ring	10
60.		Set Screw	10
61.		Carriage Bolt	4
62.		Screw	4

*** For warranty or replacement parts on licensed product please call John Deere Special Services at 1-866-218-8622.**