

Single Point Hydraulic Connection

BXX10283



JOHN DEERE

INSTALLATION INSTRUCTIONS Single Point Hydraulic Connection

TR112946 29APR20 (ENGLISH)

120R Loader and 1025R or 2025R Tractors

**John Deere Augusta Works
TR112946 (29APR20)**

PRINTED IN U.S.A.
COPYRIGHT © 2020
DEERE & COMPANY
Moline, Illinois

All rights reserved.
A John Deere ILLUSTRATION™ Manual
Previous Editions
Copyright © 2019

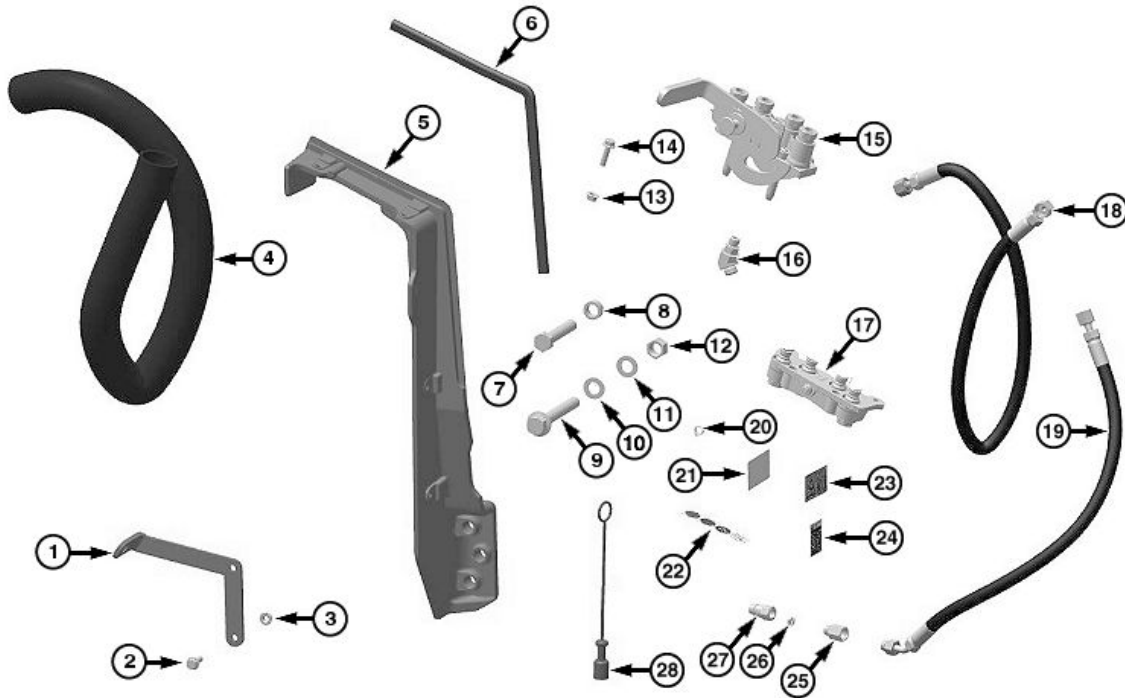
TR112946-19-29APR20

Introduction

IMPORTANT: Read this instruction thoroughly to become familiar with the loader before installing the single point hydraulic connector.

OUO6064,0002C1C -19-15AUG19-1/1

Parts List



W28708—UN—12NOV19

Single Point Hydraulic Connection BXX10283

| Item | Description | Quantity |
|------|---|-----------------|
| 1 | Bracket | 1 |
| 2 | Cap Screw, M8 x 25 | 2 |
| 3 | Nut, M8 | 2 |
| 4 | Protective Sleeve | 2 |
| 5 | Bracket | 1 |
| 6 | Edge Protector | 1 |
| 7 | Cap Screw, M16 x 90 | 3 |
| 8 | Washer | 3 |
| 9 | Cap Screw, M16 x 120 | 3 |
| 10 | Washer | 3 |
| 11 | Washer | 3 |
| 12 | Nut, M16 | 3 |
| 13 | Nut, M8 | 2 |
| 14 | Cap Screw, M8 x 30 | 2 |
| 15 | Loader Coupler Half | 1 |
| 16 | Fitting | 8 |
| 17 | Tractor Coupler Half | 1 |
| 18 | Hydraulic Hose, 1050 mm | 4 |
| 19 | Hydraulic Hose, 670 mm | 4 |
| 20 | Colored Tie Band (red, blue, yellow, and black) | 4 of each color |

Continued on next page

OUC6064.0002C1D -19-12NOV19-1/2

Single Point Hydraulic Connection BXX10283

| Item | Description | Quantity |
|------|---|---------------------------------------|
| 21 | Decal | 1 |
| 22 | Decal | 1 |
| 23 | Decal | 1 |
| 24 | Decal | 1 |
| 25 | Fitting | 4 |
| 26 | Orifice | 1 |
| 27 | Quick Coupler | 4 |
| 28 | Colored Cap/Plug (red, blue, yellow, and black) | 1 each color cap 1 each color plug |

OUO6064,0002C1D -19-12NOV19-2/2

Recognize Safety Information

This is a safety-alert symbol. When you see this symbol on your machine or in this manual, be alert to the potential for personal injury.

Follow recommended precautions and safe operating practices.



T81389—UN—28/JUN13

DX,ALERT -19-29SEP98-1/1

Understand Signal Words

DANGER; The signal word DANGER indicates a hazardous situation which, if not avoided, will result in death or serious injury.

WARNING; The signal word WARNING indicates a hazardous situation which, if not avoided, could result in death or serious injury.

CAUTION; The signal word CAUTION indicates a hazardous situation which, if not avoided, could result in minor or moderate injury. CAUTION may also be used to alert against unsafe practices associated with events which could lead to personal injury.

A signal word—DANGER, WARNING, or CAUTION—is used with the safety-alert symbol. DANGER identifies the most serious hazards. DANGER or WARNING safety signs are located near specific hazards. General



precautions are listed on CAUTION safety signs. CAUTION also calls attention to safety messages in this manual.

TS187—19—30SEP88

DX,SIGNAL -19-05OCT16-1/1

Follow Safety Instructions

Carefully read all safety messages in this instruction. Read the product operators manual for operating instructions and safety messages. Do not let anyone operate without instruction. (A copy of the operators manual may also be available from the Service ADVISOR™ application.)



TS201—UN—15APR13

Service ADVISOR is a trademark of Deere & Company

DX,READ,INS -19-23JUN09-1/1

Replace Safety Signs

Replace missing or damaged safety signs. See the machine operator's manual for correct safety sign placement.



TS201—UN—15APR13

DX,SIGNS1 -19-04JUN90-1/1

Avoid High-Pressure Fluids

Inspect hydraulic hoses periodically – at least once per year – for leakage, kinking, cuts, cracks, abrasion, blisters, corrosion, exposed wire braid or any other signs of wear or damage.

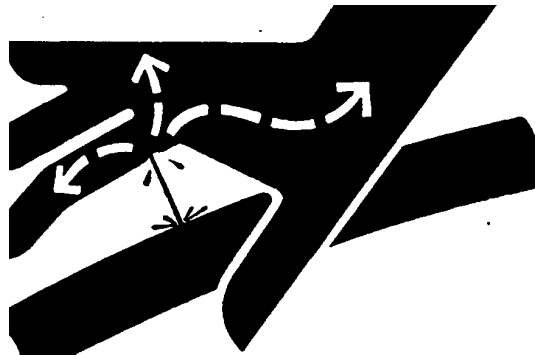
Replace worn or damaged hose assemblies immediately with John Deere approved replacement parts.

Escaping fluid under pressure can penetrate the skin causing serious injury.

Avoid the hazard by relieving pressure before disconnecting hydraulic or other lines. Tighten all connections before applying pressure.

Search for leaks with a piece of cardboard. Protect hands and body from high-pressure fluids.

If an accident occurs, see a doctor immediately. Any fluid injected into the skin must be surgically removed within a few hours or gangrene may result. Doctors unfamiliar



X9811—UN—23AUG88

with this type of injury should reference a knowledgeable medical source. Such information is available in English from Deere & Company Medical Department in Moline, Illinois, U.S.A., by calling 1-800-822-8262 or +1 309-748-5636.

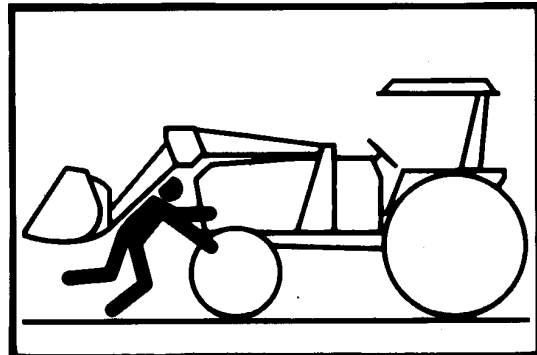
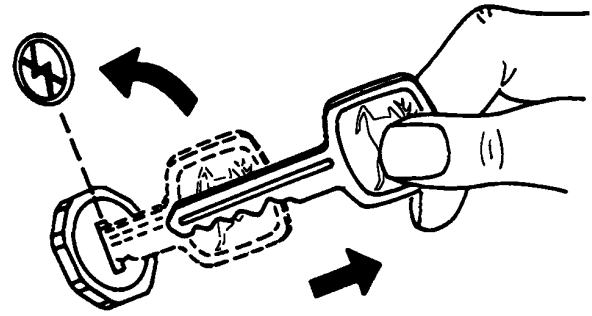
DX,FLUID -19-12OCT11-1/1

Prepare Loader and Tractor for Service

⚠ CAUTION: Prevent possible injury or death. Always lower the loader to the ground before working on the machine. If work requires the loader to be lifted, provide secure support. If left in a raised position, hydraulically supported devices can settle or leak down. Do NOT support the loader on concrete blocks, hollow tiles, or props that can crumble under a continuous load. Do NOT work under a machine that is supported solely by a jack. *Follow the recommended procedure in this instruction.* Help prevent bodily injury from accidental lowering of the loader. Before servicing the loader and tractor, perform the following:

1. Engage the tractor park brake and/or place the transmission in PARK.
2. Lower the loader to the ground.
3. Shut off the engine and remove the ignition key.
4. Relieve the pressure in the hydraulic system. (See tractor and loader Operator's Manuals.)
5. Let all components cool.

IMPORTANT: Prevent possible contamination in the hydraulic system, observe the utmost cleanliness when working on the hydraulic systems.

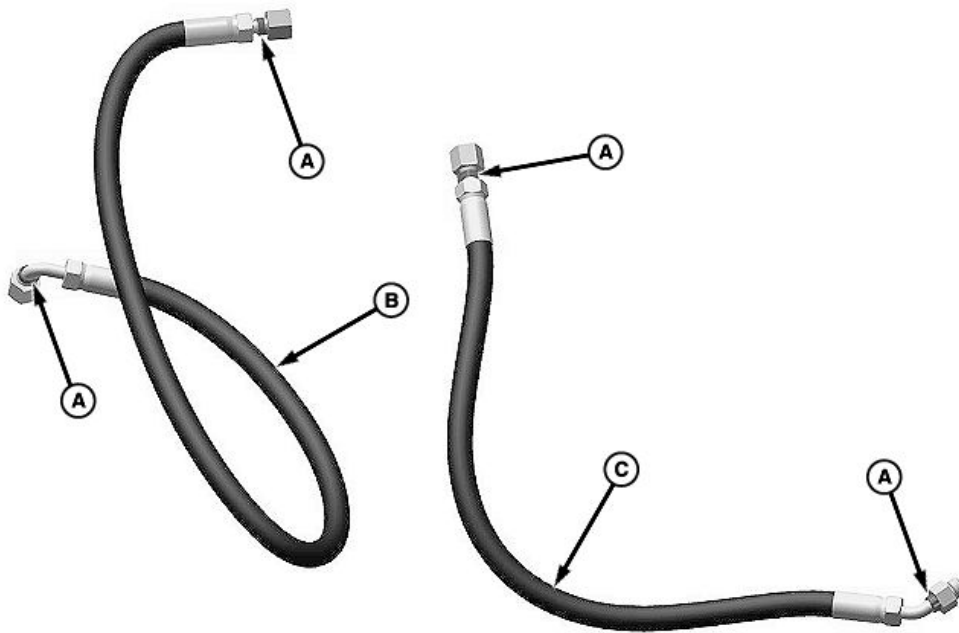


E50093—UN—08AUG01

W00278—UN—04DEC91

OUO6064,0002C1E -19-15AUG19-1/1

Install Colored Tie Bands onto Hydraulic Hoses



A—Tie Band (4 each color red, blue, black, and yellow) (item 20 in parts list)
 B—Hydraulic Hose, 1050 mm (4 used) (item 18 in parts list)
 C—Hydraulic Hose, 670 mm (4 used) (item 19 in parts list)

1. Locate hydraulic hoses (B and C) and colored tie bands (A) from the shipping bundle.
2. Install two of the same color tie bands (A) onto each end of the hydraulic hose (B and C). Repeat with each color for the remaining hoses.
3. Cut off any excess material from the tie bands (A).

OUO6064.0002C90 -19-12NOV19-1/1

W28651—UN—08SEP19

Install Multicoupler and Hydraulic Connections



1025R Tractor Shown



2025R Tractor Shown

W28617 —UN—15AUG19

W28618 —UN—15AUG19

A—Hardware

1. Before starting the kit installation, remove the quick park loader from the tractor to provide clearance and access to the loader mounts.
2. Remove and retain the hardware (A) from the right-hand side of the loader mounts.

OU06064,0002C1F -19-25FEB20-1/15

3. 1025R Tractors—Install the bracket with cap screws, washers, and nuts as shown. Tighten the hardware to specification.

Specification

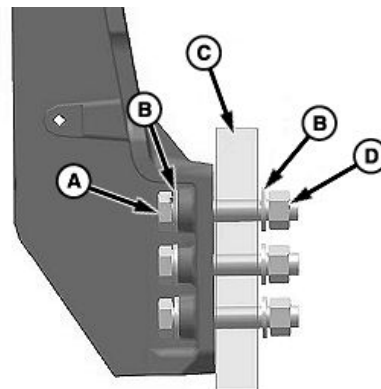
Hardware—Torque.....303 N·m
(223 lb·ft)

A—Cap Screw (3 used) (item 7 in parts list)

B—Washer (6 used) (items 10 and 11 in parts list)

C—Tractor Frame

D—Nut (3 used) (item 8 in parts list)



1025R Tractor Shown

W28707 —UN—12NOV19

Continued on next page

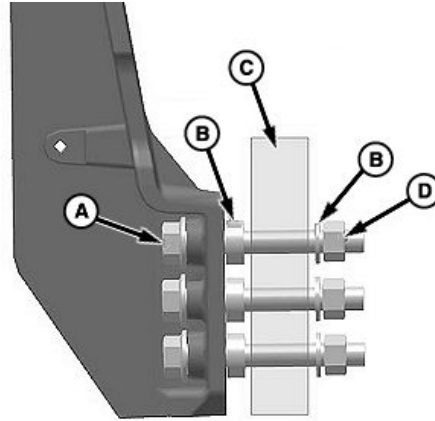
OU06064,0002C1F -19-25FEB20-2/15

4. 2025R Tractors—Install the bracket with cap screws, washers, and nuts as shown. Tighten the hardware to specification.

Specification

Hardware—Torque.....303 N·m
(223 lb·ft)

- | | |
|---|--|
| A —Cap Screw (3 used) (item 9 in parts list) | C —Tractor Frame |
| B —Washer (15 used) (4 on each cap screw on the outside of the tractor frame) (1 on each cap screw on the inside of the tractor frame) | D —Nut (3 used) (item 12 in parts list) |



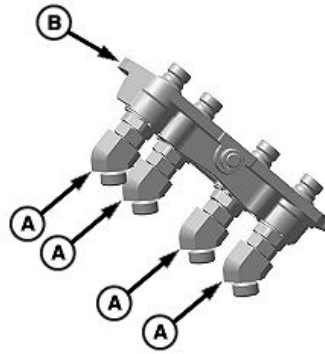
2025R Tractor Shown

OUC6064.0002C1F -19-25FEB20-3/15

W28706 —UN—12NOV19

5. Install fittings (A) onto the tractor coupler half (B) as shown.

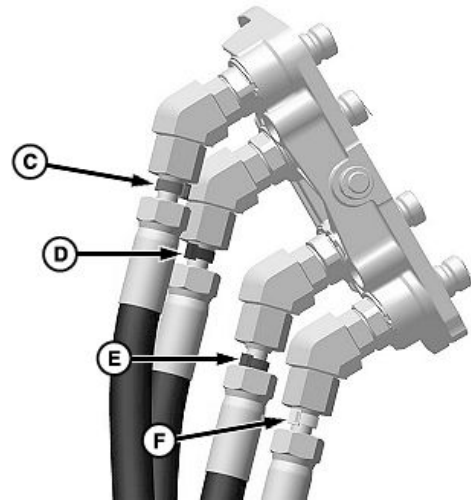
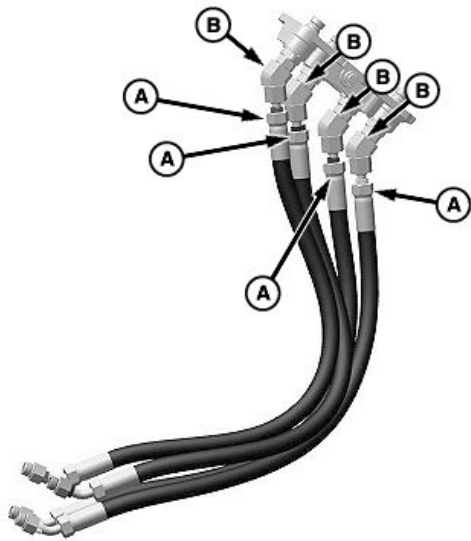
- | | |
|--|--|
| A —Fitting (4 used) (item 16 in parts list) | B —Tractor Coupler Half (item 17 in parts list) |
|--|--|



Continued on next page

OUC6064.0002C1F -19-25FEB20-4/15

W28622 —UN—15AUG19



W28623—UN—15AUG19

W28652—UN—09SEP19

A—Hydraulic Hose (4 used)
B—Fitting (4 used)

C—Red Tie Band (lift retract)
D—Blue Tie Band (lift extend)

E—Black Tie Band (bucket retract)
F—Yellow Tie Band (bucket extend)

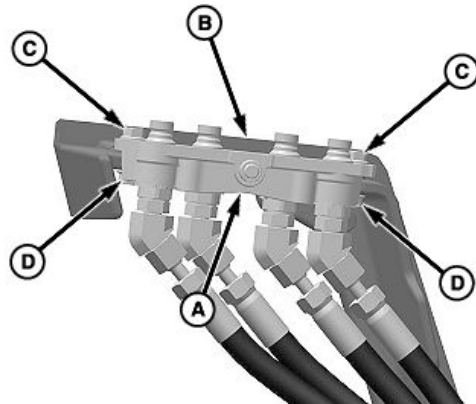
6. Install hydraulic hoses (A) onto fittings (B) in the sequence of colored tie bands (C—F) as shown.

OUO6064,0002C1F -19-25FEB20-5/15

7. Install the tractor coupler half (A) onto the support bracket (B) with cap screws (C) and nuts (D).

A—Tractor Coupler Half
B—Support Bracket (item 5 in parts list)

C—Cap Screw (2 used) (item 14 in parts list)
D—Nut (2 used) (item 13 in parts list)



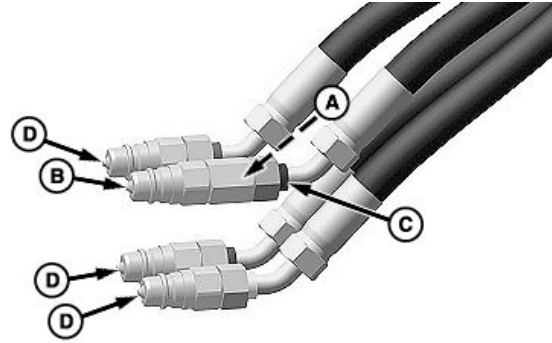
Continued on next page

OUO6064,0002C1F -19-25FEB20-6/15

W28640—UN—04SEP19

8. Install the fitting and orifice (A) (not shown) into the quick-coupler (B). Install the quick-coupler (B) onto the hydraulic hose with the blue tie band (C).
9. Install quick-couplers (D) onto the remaining hydraulic hoses as shown.

A—Fitting and Orifice (items 25 and 26 in parts list)
 B—Quick-Coupler (item 27 in parts list)
 C—Blue Tie Band (lift extend)
 D—Quick-Coupler (3 used)

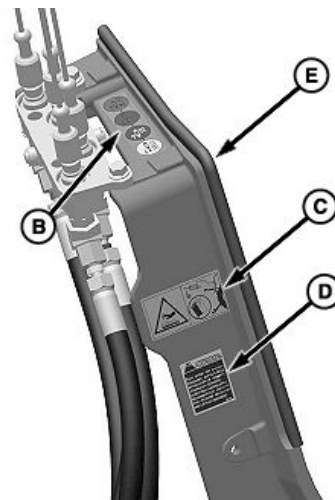


W28653 —UN—09SEP19

OOU6064.0002C1F -19-25FEB20-7/15

10. Install decals (A—D) and edge protector (E) as shown.

A—Decal (item 21 in parts list)
 B—Decal (item 22 in parts list)
 C—Decal (item 23 in parts list)
 D—Decal (item 24 in parts list)
 E—Edge Protector (item 6 in parts list)



W28642 —UN—04SEP19

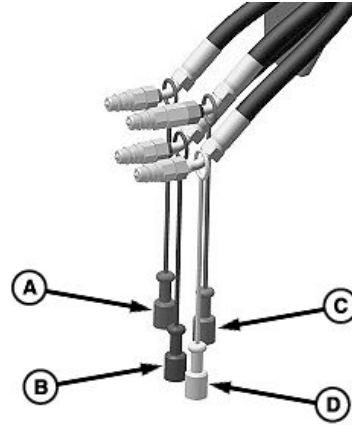
W28643 —UN—04SEP19

Continued on next page

OOU6064.0002C1F -19-25FEB20-8/15

11. Install the colored caps (A—D) over the quick-couplers as shown.

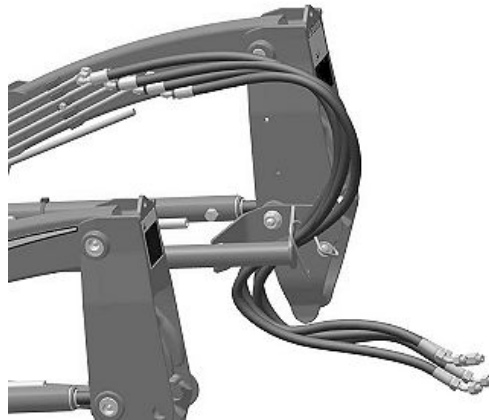
- A—Red Cap (item 28 in parts list)
- B—Black Cap
- C—Blue Cap
- D—Yellow Cap



OUO6064,0002C1F -19-25FEB20-9/15

W28644 —UN—04SEP19

12. Remove the current hydraulic hoses from the loader.



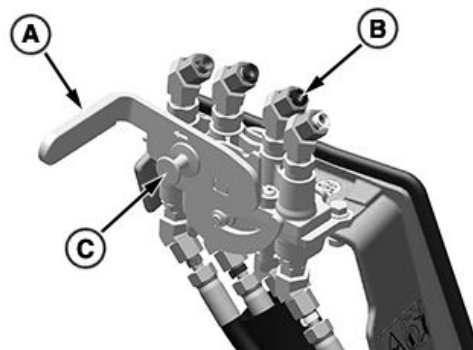
OUO6064,0002C1F -19-25FEB20-10/15

W28645 —UN—05SEP19

13. Install the loader coupler half (A) onto the tractor coupler half. Install fittings (B) onto the loader coupler half (A).

NOTE: To remove the loader coupler half, pull lock knob outward and lift coupler handle.

- A—Loader Coupler Half (item 15 in parts list)
- B—Fitting (4 used)
- C—Lock Knob



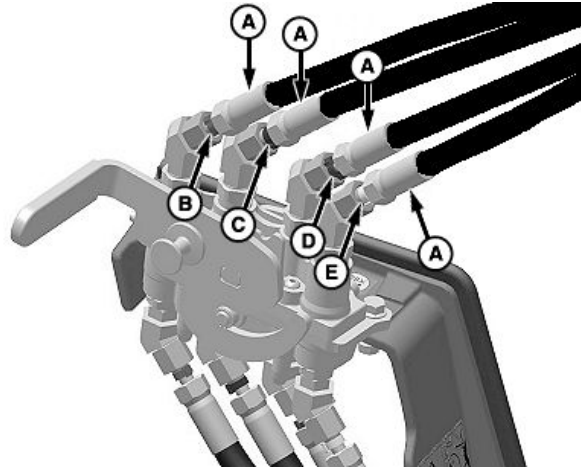
Continued on next page

OUO6064,0002C1F -19-25FEB20-11/15

LV30713 —UN—25FEB20

14. Install the hydraulic hoses (A) onto the fittings in sequence to the colored tie bands (B—E) as shown.
15. Install protective sleeves (item 4 in parts list) on the upper and lower hydraulic hoses.

- | | |
|---------------------------------------|---|
| A —Hydraulic Hose (4 used) | D —Black Tie Band (bucket retract) |
| B —Red Tie Band (lift retract) | E —Yellow Tie Band (bucket extend) |
| C —Blue Tie Band (lift extend) | |

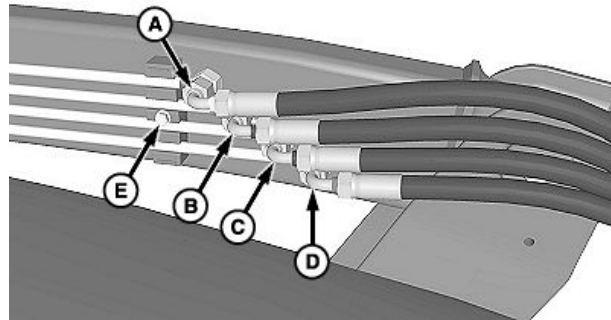


W28647 —UN—05SEP19

OUO6064,0002C1F -19-25FEB20-12/15

16. Install the hydraulic hoses (A—D) onto the matching oil lines on the loader. To aid in the installation of the hydraulic hoses loosen cap screw (E), retighten when finished.

- | | |
|---|---|
| A —Hydraulic Hose (yellow tie band, bucket extend) | D —Hydraulic Hose (red tie band, lift retract) |
| B —Hydraulic Hose (black tie band, bucket retract) | E —Cap Screw |
| C —Hydraulic Hose (blue tie band, lift extend) | |



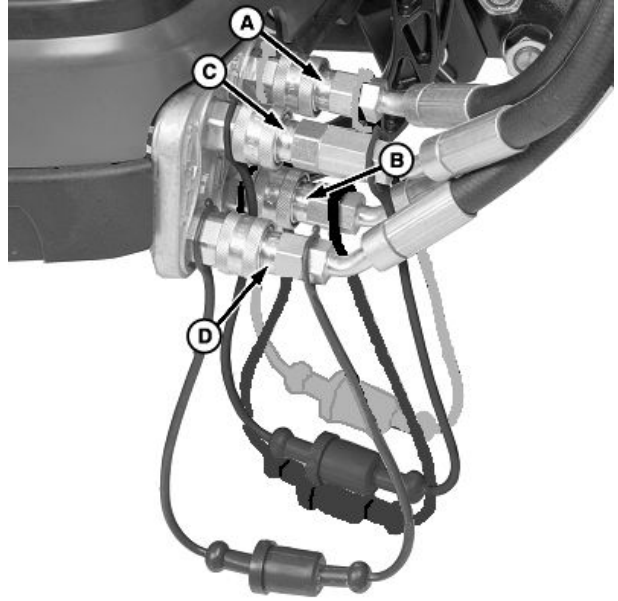
W27542 —UN—07JUL16

Continued on next page

OUO6064,0002C1F -19-25FEB20-13/15

17. Install the hydraulic hoses (A—D) into the matching tractor quick-couplers.

- | | |
|---|---|
| A —Hydraulic Hose (yellow tie band, bucket extend) | C —Hydraulic Hose (blue tie band, lift extend) |
| B —Hydraulic Hose (black tie band, bucket retract) | D —Hydraulic Hose (red tie band, lift retract) |

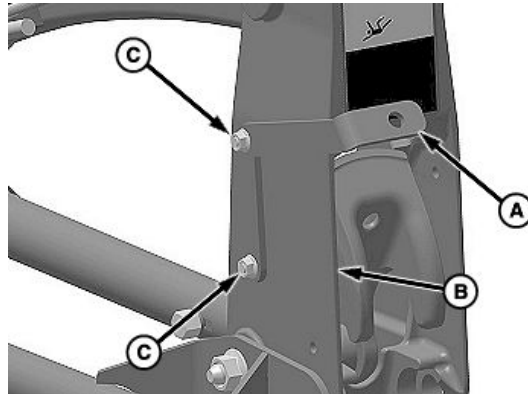


W27541 —UN—07JUL16

OOU6064,0002C1F -19-25FEB20-14/15

18. Install the bracket (A) onto the loader mast (B) with cap screws and nuts (C).

- | | |
|--|--------------------------------------|
| A —Bracket (item 1 in parts list) | C —Cap Screw and Nut (2 used) |
| B —Loader Mast | (items 2 and 3 in parts list) |



W28648 —UN—06SEP19

OOU6064,0002C1F -19-25FEB20-15/15

