

42 in. Deck Chute Kit

BG20766



JOHN DEERE

INSTALLATION INSTRUCTIONS

42 in. Deck Chute Kit

GX25355 20JAN14 (ENGLISH)

X300 Tractors

John Deere Power Products
GX25355 (20JAN14)

PRINTED IN U.S.A.
COPYRIGHT © 2014
DEERE & COMPANY
Moline, Illinois

All rights reserved.
A John Deere ILLUSTRATION © Manual

GX25355-19-20JAN14

Parts in Kit

Quantity	Description
1	Chute, Lower
1	Chute, Upper
2	Mower Blade, High Lift

NOTE: Retain these installation instructions with the machine operator's manual.

OUC2005.000030D -19-21JAN14-1/1

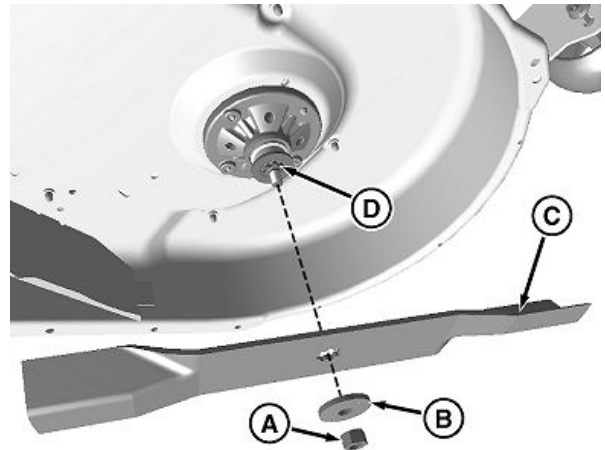
Parking Safely

1. Stop machine on a level surface, not on a slope.
2. Disengage mower blades or any other attachments.
3. Lower attachments to the ground.
4. Lock the park brake.
5. Stop the engine.
6. Remove the key.
7. Wait for engine and all moving parts to stop before you leave the operator's seat.
8. Close fuel shut-off valve, if your machine is equipped.
9. Disconnect the negative battery cable or remove the spark plug wire(s) (for gasoline engines) before servicing the machine.

TH84124.000014A -19-28AUG12-1/1

Install High Lift Blades (42 in. Cut and Throw)

1. Raise mower deck to gain access to mower blades. If necessary, remove mower deck.
2. Block mower blade being removed with a piece of wood to prevent it from spinning.
3. Remove standard mower blade:
 - Loosen and remove nut (A), washer (B), and blade (C).
4. Install high lift blade supplied with kit, making certain blade is properly seated against notched stud (D). Secure with original washer and nut. Tighten to 54-81 N·m (40-60 lb.-ft.).
5. Repeat procedure for remaining blade.



- A—Nut
- B—Washer
- C—Blade
- D—Notched Stud

GXT001288 —UN—20JAN14

OUC2005.000030E -19-21JAN14-1/1

Install Chute

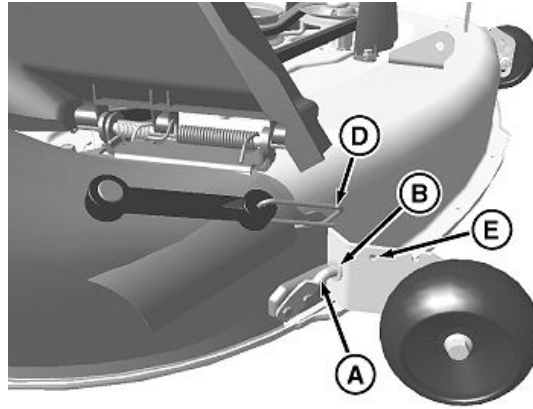
Lower Chute Installation

NOTE: The mulch plate, if installed, must be removed before installing the bagger discharge chute.

1. Raise and hold plastic discharge chute on mower deck.

NOTE: To raise inner metal deflector, pull outward at rear of deflector then pull up.

2. Raise inner metal deflector, and position lower bagger discharge chute in front of mower deck discharge opening.



⚠ CAUTION: Avoid injury! Prevent possible thrown objects. The discharge chute assembly must fit tight against the chute hinge bracket and completely cover the mower deck discharge opening.

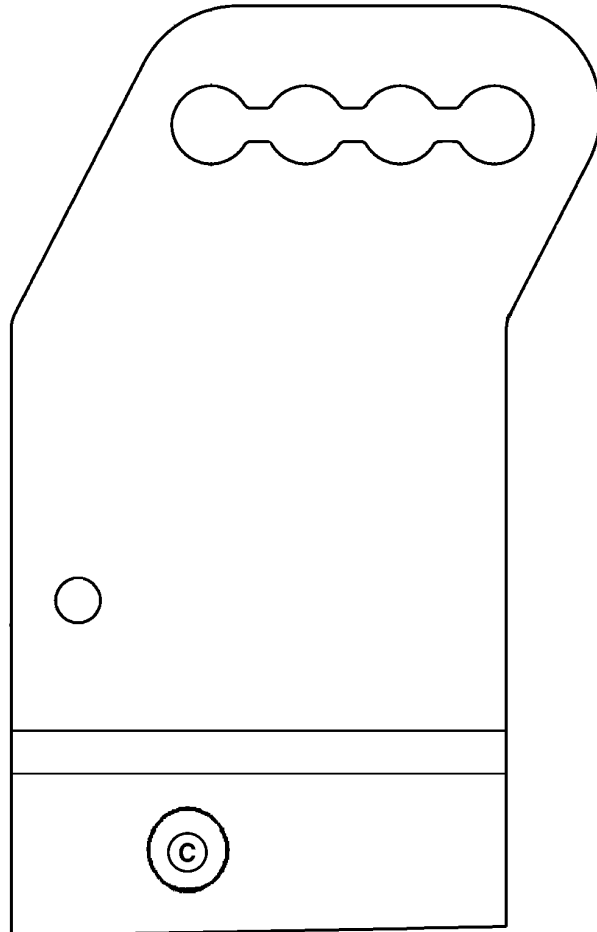
NOTE: Bagger discharge chute must fit on the outside of the mower deck discharge opening.

3. At the front of the discharge opening, slide pin (A) through hole (B) in gage wheel bracket.

NOTE: If your mower deck does not have the 12.7 mm (1/2 in.) hole (B) in gage wheel bracket, cut out and use template to the right to mark hole (C) and drill a 12.7 mm (1/2 in.) hole into gage wheel bracket. This hole is necessary to mount the front of the discharge chute.

4. Hook front rubber strap hook (D) over the top of the gage wheel bracket and insert through hole (E).

A—Pin	D—Rubber Strap Hook, Front
B—Hole (Gage Wheel Bracket)	E—Hole
C—Hole (Template)	



GXT001289 —JUN—20JAN14

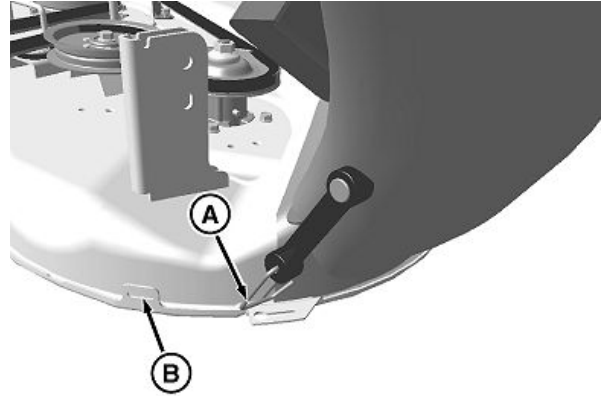
GXT001290 —JUN—21JAN14

Continued on next page

OUO2005,000030F -19-21JAN14-1/4

5. Rotate rear side of lower discharge chute toward mower deck, and insert rear rubber strap hook (A) on discharge chute into slot (B) on deck.

A—Rubber Strap Hook, Rear B—Slot



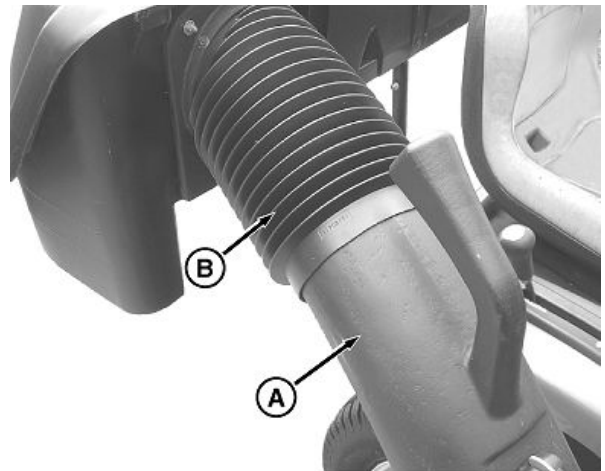
GXT001291—UN—20JAN14

OOU2005.000030F -19-21JAN14-2/4

Upper Chute Installation

1. Slide top (A) of upper discharge chute into flexible chute (B) of hopper assembly.

A—Discharge Chute, Top B—Flexible Chute



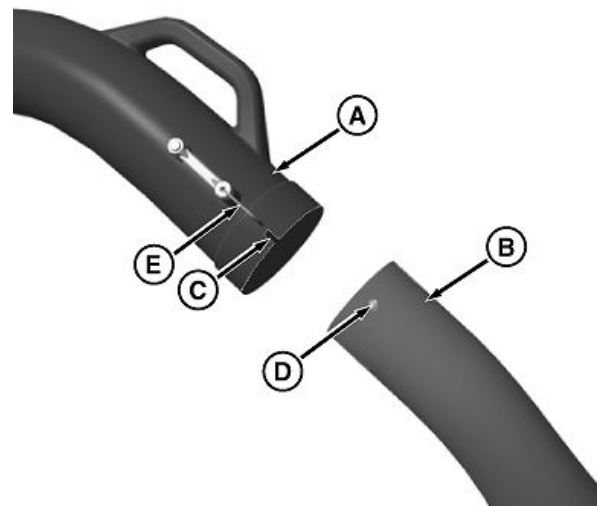
GXT001292—UN—20JAN14

OOU2005.000030F -19-21JAN14-3/4

2. Slide bottom (A) of upper discharge chute over top (B) of lower chute, aligning notch (C) with bolt (D).
3. Hook rubber strap latch (E) on to bolt (D) in lower chute.

NOTE: If bagging performance is not acceptable, purchase AM136660 lip kit.

A—Discharge Chute, Bottom D—Bolt
B—Lower Chute, Bottom E—Rubber Strap Latch
C—Notch



GXT001293—UN—20JAN14

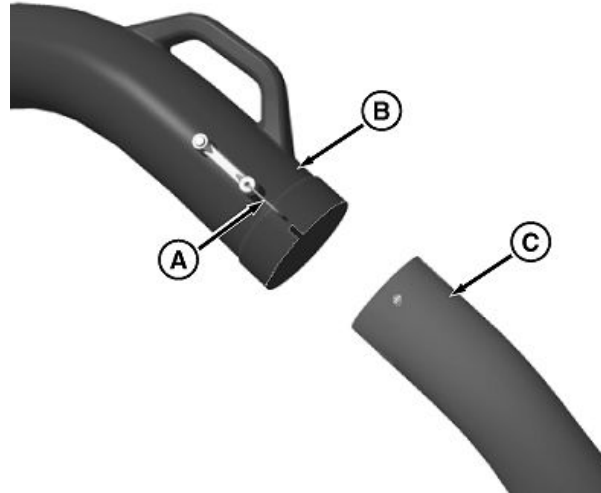
OOU2005.000030F -19-21JAN14-4/4

Remove Chute

1. Unhook rubber strap latch (A) connecting upper chute (B) to lower chute (C). Remove upper chute (B).

A—Rubber Strap Latch
B—Upper Chute

C—Lower Chute

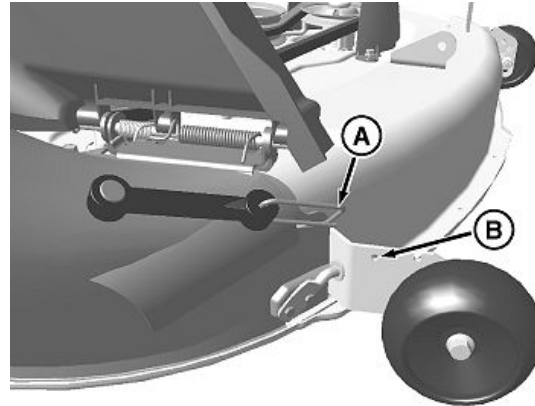


GXT001284 —UN—20JAN14

OOU2005,0000310 -19-21JAN14-1/3

2. Release front rubber strap hook (A) from hole (B) in gage wheel bracket.

A—Rubber Strap Hook, Front B—Hole

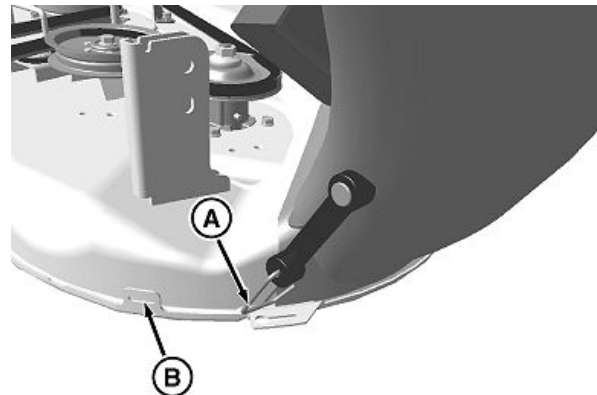


GXT001285 —UN—20JAN14

OOU2005,0000310 -19-21JAN14-2/3

3. Release rear rubber strap hook (A) from slot (B) on deck.
4. Lift discharge chute deflector and remove lower chute from mower.

A—Rubber Strap Hook, Rear B—Slot



GXT001291 —UN—20JAN14

OOU2005,0000310 -19-21JAN14-3/3

