

# Cruise Control Kit

BLV10486



**JOHN DEERE**

## INSTALLATION INSTRUCTIONS

LVU27935 15OCT18 (ENGLISH)

**John Deere Augusta Works**  
**LVU27935 (15OCT18)**

PRINTED IN U.S.A.  
COPYRIGHT © 2018  
DEERE & COMPANY  
Moline, Illinois

All rights reserved.  
A John Deere ILLUSTRATION™ Manual  
Previous Editions  
Copyright © 2013, 2016

LVU27935-19-15OCT18



## Introduction

**IMPORTANT:** Read through this instruction thoroughly and familiarize yourself with the tractor before installing parts.

This instruction demonstrates procedures for installing the Cruise Control Kit BLV10486 on 3025E, 3032E, 3036E, and 3038E Tractors.

OUC1023,000386B -19-15OCT18-1/1

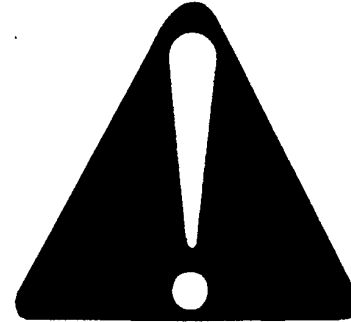
## Recognize Safety Information

**CAUTION:** To prevent bodily injury, machine damage or component failure:

- Use proper tools for the job.
- Do not take shortcuts; follow procedure as listed.
- Read and heed all **WARNINGS** placed within instructions.

This is a safety-alert symbol. When you see this symbol on your machine or in this manual, be alert to the potential for personal injury.

Follow recommended precautions and safe operating practices.

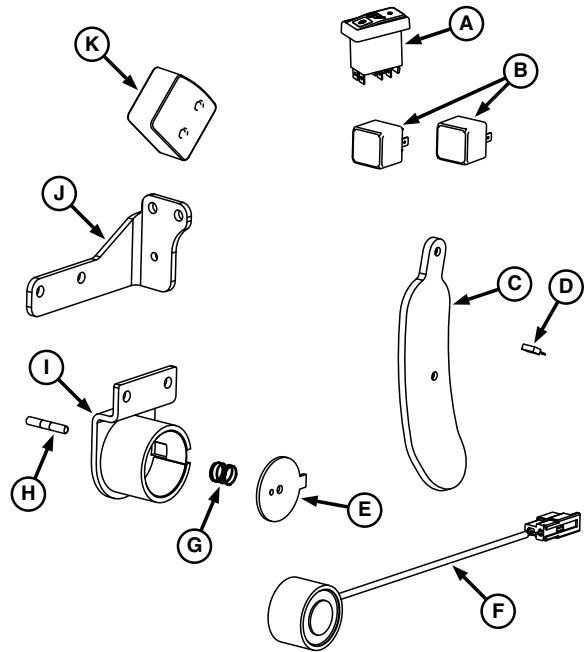


T81389—UN—28JUN13

OUC1023,000386C -19-22FEB13-1/1

## Kit Parts List

Quantity	Description
1	Switch, Cruise Control (A)
2	Relay (B)
3	Plate, Magnet (C)
4	Fuse (D)
1	Guide Plate (E)
1	Magnet (F)
1	Spring (G)
1	Stud (H)
1	Bracket, Magnet Assembly (I)
1	Bracket, Cruise Control (J)
1	Wire Harness
1	Plastic Damper
2	Hex Head Bolt, 3/16-32x7/8
2	Nut, 3/16
4	Flange Head Bolt, M8x25
4	Flange Locknut, M8
2	Flat Socket Head Bolt, M6x30
3	Flange Locknut, M6
1	Nut, M6
2	Flange Head Bolt, M6x16
2	Flange Nut, M6
14	Tie Strap



LV18710—UN—15AUG13

UP00731,0000080 -19-15AUG13-1/1

### Parking Safely

1. Stop machine on a level surface.
2. Disengage PTO and stop attachments.
3. Lower attachments to the ground.
4. Engage park brake.
5. Stop engine.
6. Remove key.
7. Wait for engine and all moving parts to stop before you leave the operator's station.
8. Disconnect the negative (-) battery cable before servicing the machine.

OUC1023,000386E -19-22FEB13-1/1

### Prepare Machine

1. Remove right and left footdeck from tractor to allow better access to travel pedal and brake/differential pedal.
2. Remove right rear wheel.
3. Remove cupholder panel (A) from right fender. It is not necessary to disconnect PTO knob.

A—Panel

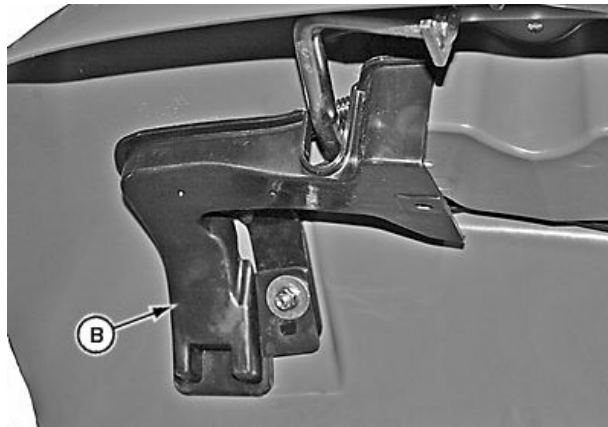


LV18717 —UN—15AUG13

UP00731,0000081 -19-20AUG13-1/2

4. Remove cover (B) from underside of right fender.

B—Cover



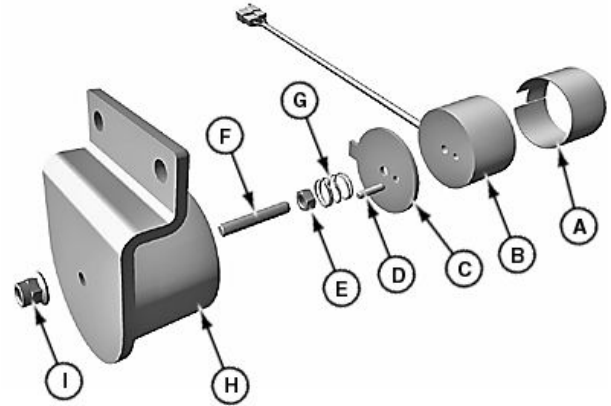
Underside of rear fender shown

LV18718 —UN—15AUG13

UP00731,0000081 -19-20AUG13-2/2

### Assemble Cruise Control Magnet

1. Remove backing from plastic damper (A) and secure it to surface of magnet (B).
2. Install guide plate (C) on magnet (B) with pin (D).
3. Install M6 nut (E) on one end of stud (F).
4. Install end of stud with nut through guide plate (C) and into magnet (B). Tighten nut (E) flush to guide plate.
5. Install spring (G).
6. Insert magnet assembly into bracket (H), and install M6 flange locknut (I). Tighten locknut until magnet is flush with bracket (H). Locknut will be loosened later for magnet adjustment.



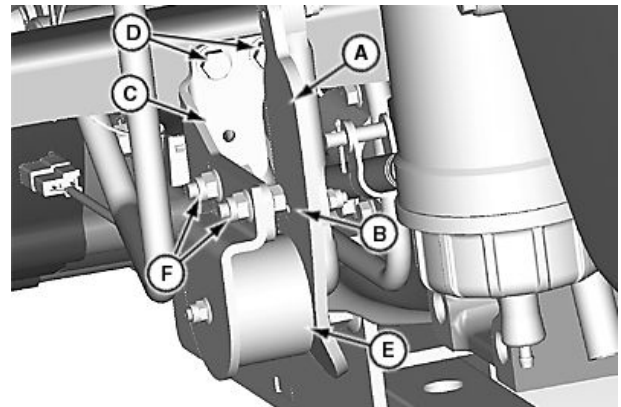
A—Damper	F—Stud
B—Magnet	G—Spring
C—Guide Plate	H—Bracket
D—Pin	I—Locknut
E—Nut	

UP00731.0000082 -19-20AUG13-1/1

LV18719 —UN—15AUG13

### Install Cruise Control

1. Install magnet plate (A) to forward travel pedal with two M6x30 flat socket head bolts (B) and M6 flange locknuts.
2. Install cruise control bracket (C) to foot deck frame with two M8x25 flange head bolts (D) and M8 flange locknuts. Do not tighten outboard mounting bolt; harness j-clamp will be installed on it later.
3. Install cruise control magnet assembly (E) to cruise control bracket (C) with two M8x25 flange head bolts and M8 flange locknuts (F).



A—Plate	D—Bolts, M8x25
B—Bolts, M6x30	E—Magnet Assembly
C—Bracket	F—Locknuts, M8

Continued on next page

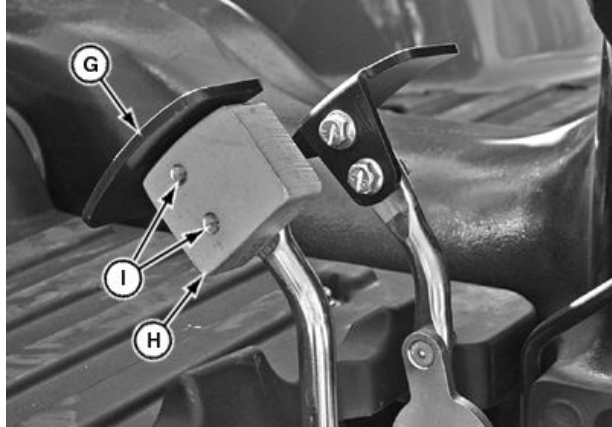
UP00731.0000083 -19-20AUG13-1/3

LV18709 —UN—15AUG13

- Remove existing locknuts from bolts on reverse travel pedal (G) and discard.
- Position counterweight (H) with mounting holes (I) toward rear of tractor as shown.

G—Reverse Travel Pedal  
H—Counterweight

I— Mounting Holes



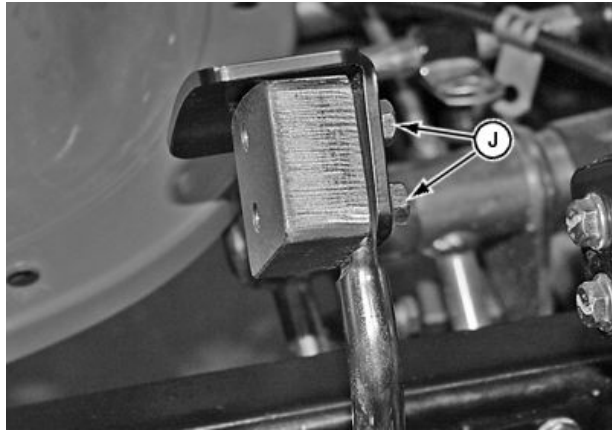
LV18720 —UN—15AUG13

UP00731,0000083 -19-20AUG13-2/3

- Tighten existing bolts (J) to secure counterweight.
- With machine off, depress reverse travel pedal and inspect to ensure:
  - that counterweight does not contact footdeck
  - that travel pedal freely returns to neutral position

If counterweight contacts footdeck, or travel pedal does not freely return to neutral position, the counterweight is not installed properly on travel pedal. Reposition as shown in previous steps to correct the interference.

J—Bolts



LV18721 —UN—15AUG13

UP00731,0000083 -19-20AUG13-3/3

### Install Cruise Control Switch

- Remove cover (A) closest to operator seat from cupholder panel.
- Install cruise control switch in opening.

A—Cover

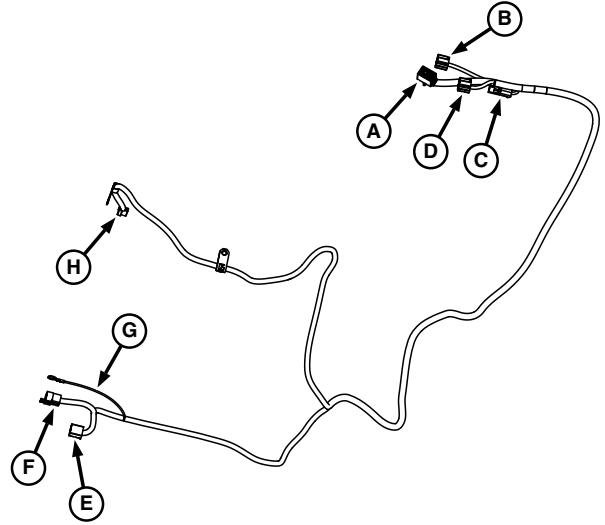


LV18722 —UN—15AUG13

UP00731,0000084 -19-20AUG13-1/1

### Identify Harness Connections

- A — To cruise control switch
- B — To relay
- C — To main chassis harness
- D — To relay
- E — To brake switch
- F — To main harness brake switch connector
- G — To ground
- H — To cruise control magnet



LV18711—UN—15AUG13

UP00731.0000085 -19-15AUG13-1/1

### Install Wire Harness

*NOTE: Wire harness should be secured to main wiring harness with tie straps every 152 - 203 mm (6 - 8 inches).*

1. Route end of wire harness (A) through hole (B) in fender, and out through hole in top of fender as shown.

A—Harness

B—Hole in Fender



LV18723—UN—15AUG13

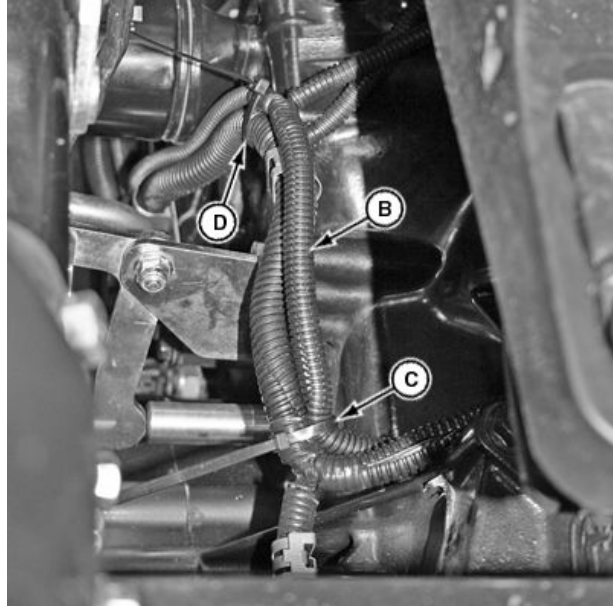
Continued on next page

UP00731.0000086 -19-20AUG13-1/9

2. Route harness (B) under seat alongside main wiring harness and secure with tie strap (C) at main harness breakout, and another at location where both main harness and new harness have breakouts (D).

**B—Harness**  
**C—Tie Strap**

**D—Breakouts**



LV18724 — UN — 15AUG13

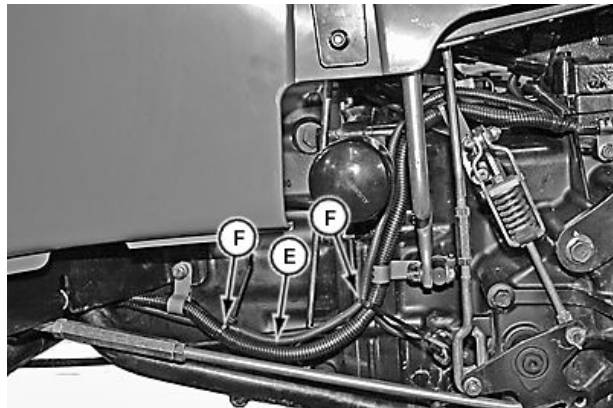
*View from rear left side of tractor.*

UP00731.0000086 -19-20AUG13-2/9

3. Continue routing harness (E) alongside main harness and secure with tie straps (F).
4. Remove existing connector from brake switch.

**E—Harness**

**F—Tie Straps**



LV18725 — UN — 15AUG13

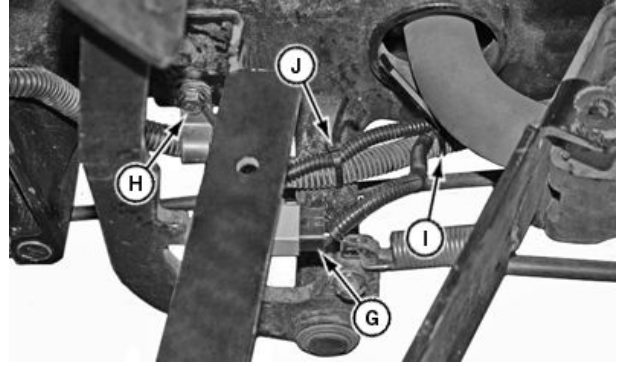
*View from left side of tractor with wheel removed.*

Continued on next page

UP00731.0000086 -19-20AUG13-3/9



5. Attach connector (G) to brake switch at brake/differential pedal.
6. Attach main harness brake switch connector to mating connector on cruise harness.
7. Attach ground wire (H) to bolt on tractor.
8. Install tie strap (I) behind harness junction, and another in front of harness junction (J).
9. Secure harness to main harness with tie straps at center of seat, and another to right of seat.



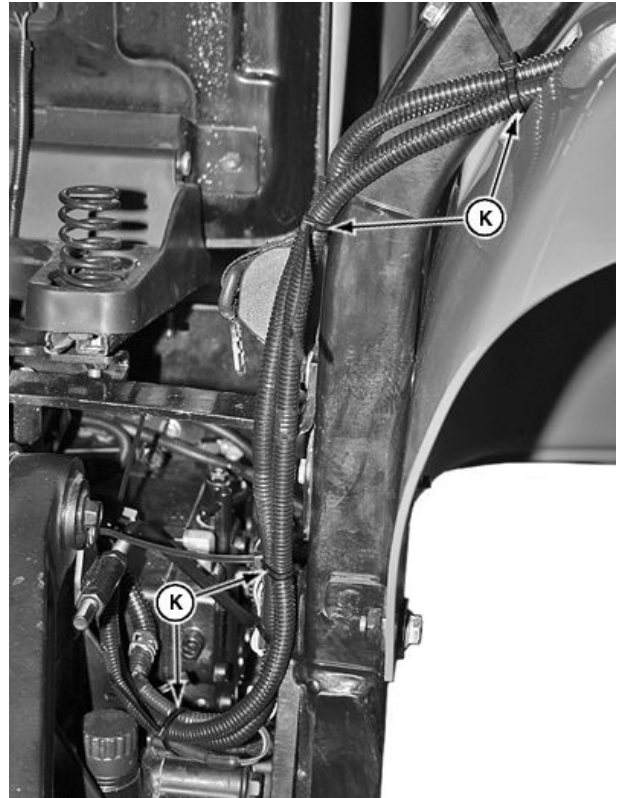
G—Connector  
 H—Ground Wire  
 I— Tie Strap  
 J— Harness Junction

LV18726—UN—15AUG13

UP00731,0000086 -19-20AUG13-4/9

10. Secure harness to main harness with four tie straps (K) alongside ROPS.

K—Tie Straps



LV18727—UN—15AUG13

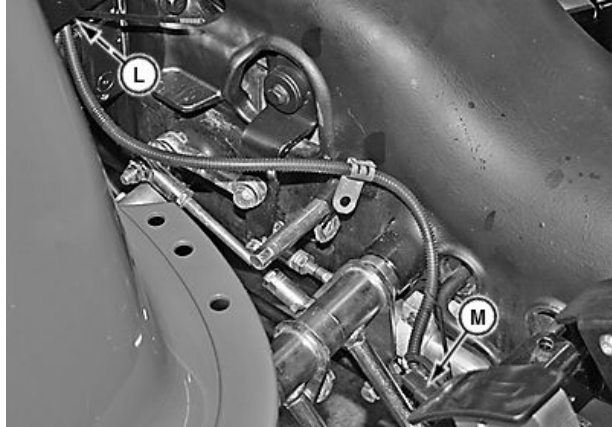
Continued on next page

UP00731,0000086 -19-20AUG13-5/9

11. Route breakout wire under seat and over to forward travel pedal. Install tie strap (L) at side of seat.
12. Attach connector (M) at travel pedal.
13. Install harness J-clamp to outboard cruise control mounting bracket (left loose earlier) in foot deck support.
14. Install foot deck.

L—Tie Strap

M—Connector



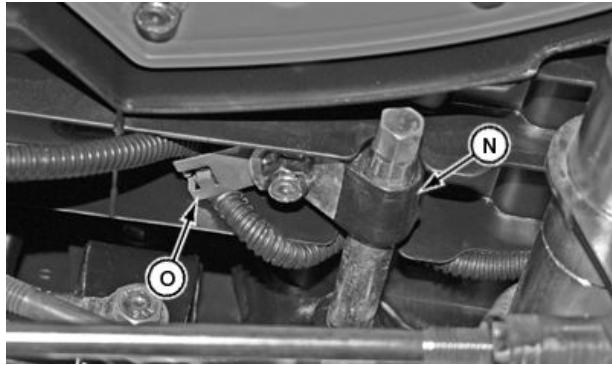
LV18728 —UN—15AUG13

UP00731,0000086 -19-20AUG13-6/9

15. Remove mounting bolt from existing clamp (N) and install harness J-clamp (O) as shown.

N—Clamp

O—J-Clamp



LV18729 —UN—15AUG13

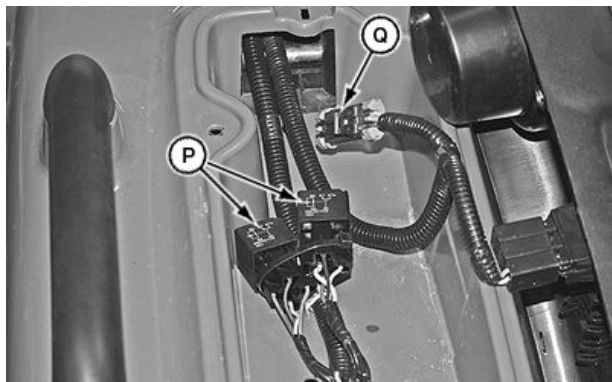
View from underside of right foot deck.

UP00731,0000086 -19-20AUG13-7/9

16. Install two relays (P) on harness at top of fender.
17. Remove cap (Q) from main chassis harness.

P—Relays

Q—Cap



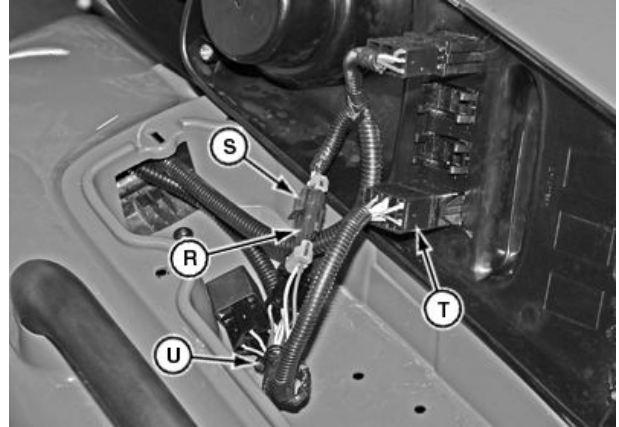
LV18730 —UN—15AUG13

Continued on next page

UP00731,0000086 -19-20AUG13-8/9

18. Connect new harness connector (R) to main harness connector (S).
19. Connect harness (T) to cruise control switch.
20. Fold relays back on harness and secure with tie strap (U).
21. Install cup holder panel on fender.
22. Install cover on underside of fender.
23. Connect battery cables.

**R—Harness Connector**                      **T—Harness**  
**S—Main Harness Connector**            **U—Tie Strap**



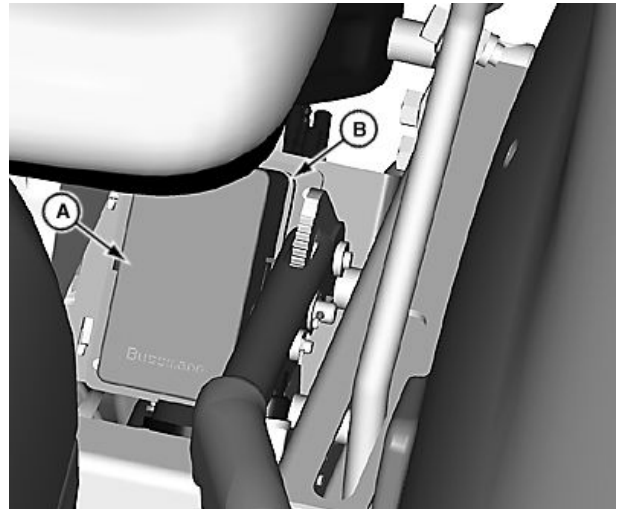
LV18731 —UN—15AUG13

UP00731,0000086 -19-20AUG13-9/9

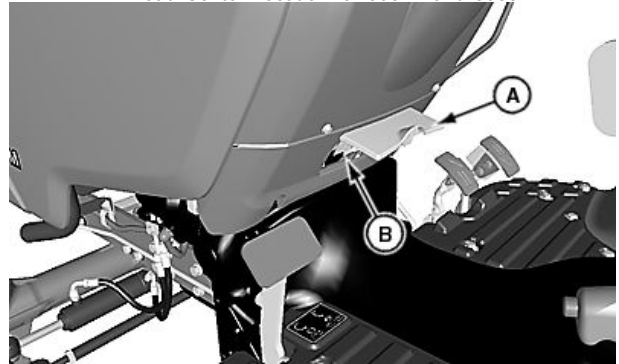
### Install Fuse

1. Remove cover (A) to access fuse block (B).

**A—Cover**                                      **B—Fuse Block**



*Load Center Location for 3032E and 3038E*



*Load Center Location for 3036E*

LV18783 —UN—20AUG13

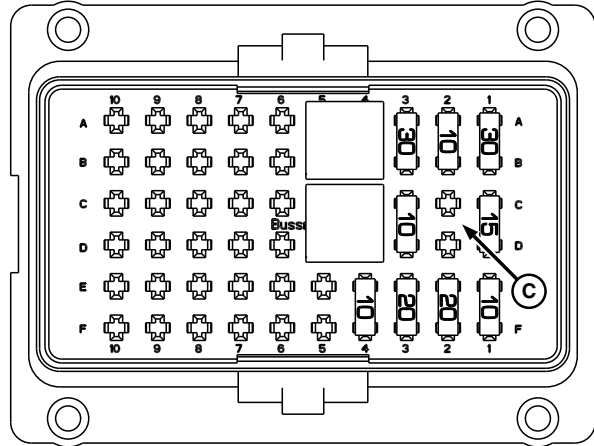
LV18732 —UN—15AUG13

Continued on next page

UP00731,0000087 -19-20AUG13-1/3

2. 3032E and 3038E only: Install fuse in F6 socket (C).

C—F6 Socket



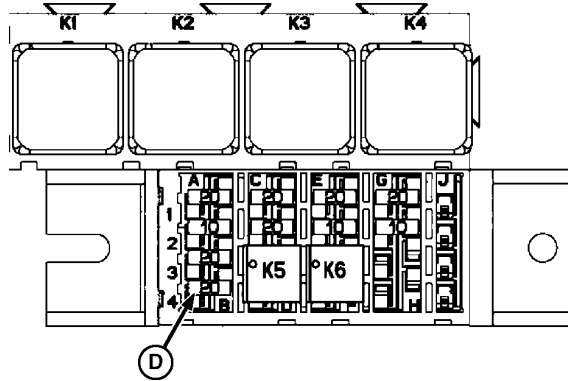
LV18713 —UN—15AUG13

3032E and 3038E load center shown.

UP00731,0000087 -19-20AUG13-2/3

3. 3036E only: Install fuse in F13 socket (D).

D—F13 Socket



LV18733 —UN—15AUG13

3036E load center shown

UP00731,0000087 -19-20AUG13-3/3

### Test Assembly Procedure

1. Check to make sure all warning lights, instrument panel lights, and gauges are working properly.
2. Make sure PTO and light switches are operating correctly in all positions.
3. Check to make sure all hardware is tight, and wiring is properly secured.

UP00731,0000088 -19-14AUG13-1/1

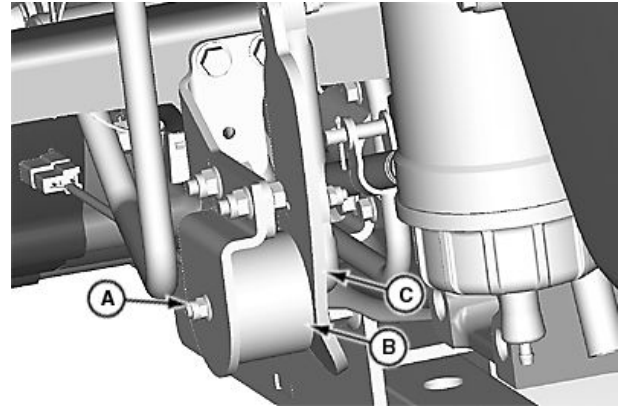
### Operating Cruise Control

See machine operator's manual for instructions on operating cruise control.

UP00731,0000089 -19-14AUG13-1/1

## Adjustment Procedure

1. Loosen M6 flange locknut (A) until there is a 5 - 10mm gap between magnet (B) and guide plate (C). A small gap should always be maintained between magnet and guide plate.
2. Sit on operators seat, unlock park brake and turn key to ON position. Do not start engine.
3. Press forward travel pedal and press switch to activate cruise control. Ensure that magnet (B) engages guide plate (C) and secures forward travel pedal.
4. Press switch to deactivate cruise control. Magnet should disengage guide plate and travel pedal should return to neutral.
5. If magnet fails to engage or disengage, readjust gap between magnet and guide plate by loosening or tightening the M6 flange locknut (A).
6. Check brake disengagement:
  - a. Sit on operators seat, unlock park brake and turn key to ON position. Do not start engine.
  - b. Press forward travel pedal and press switch to activate cruise control. Ensure that magnet engages guide plate and secures forward travel pedal.



A—Locknut, M6  
B—Magnet

C—Guide Plate

- c. If brake does not disengage forward travel pedal, adjust brake switch.
7. If cruise control does not engage or disengage properly during operation, perform previous steps to adjust.

LV18712—UN—15AUG13

UP00731,000008A -19-20AUG13-1/1





