

# Power Beyond Kit

BLV10962, BLV10502



**JOHN DEERE**

## INSTALLATION INSTRUCTIONS

LVU28916 13NOV17 (ENGLISH)

3033R, 3038R, 3039R, 3045R, and 3046R

**John Deere Augusta Works**  
**LVU28916 (13NOV17)**

PRINTED IN U.S.A.  
COPYRIGHT © 2017  
DEERE & COMPANY  
Moline, Illinois

All rights reserved.  
A John Deere ILLUSTRATION™ Manual

LVU28916-19-13NOV17



### Introduction

**IMPORTANT:** Read through this instruction thoroughly and familiarize yourself with the tractor before installing parts.

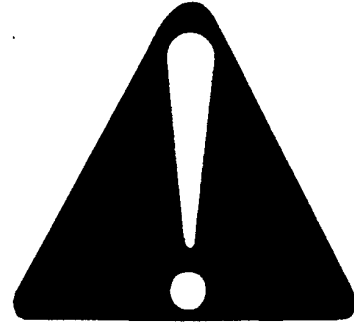
This instruction demonstrates procedures to install the power beyond kit on 3R tractor.

PR59899,00003E2 -19-28SEP17-1/1

### Recognize Safety Information

This is a safety-alert symbol. When you see this symbol on your machine or in this manual, be alert to the potential for personal injury.

Follow recommended precautions and safe operating practices.



T81389 —UN—28JUN13

DX,ALERT -19-29SEP98-1/1

### Understand Signal Words

**DANGER;** The signal word DANGER indicates a hazardous situation which, if not avoided, will result in death or serious injury.

**WARNING;** The signal word WARNING indicates a hazardous situation which, if not avoided, could result in death or serious injury.

**CAUTION;** The signal word CAUTION indicates a hazardous situation which, if not avoided, could result in minor or moderate injury. CAUTION may also be used to alert against unsafe practices associated with events which could lead to personal injury.

A signal word—DANGER, WARNING, or CAUTION—is used with the safety-alert symbol. DANGER identifies the most serious hazards. DANGER or WARNING safety signs are located near specific hazards. General



precautions are listed on CAUTION safety signs. CAUTION also calls attention to safety messages in this manual.

TS187 —19—30SEP88

DX,SIGNAL -19-05OCT16-1/1

## Follow Safety Instructions

Carefully read all safety messages in this manual and on your machine safety signs. Keep safety signs in good condition. Replace missing or damaged safety signs. Be sure new equipment components and repair parts include the current safety signs. Replacement safety signs are available from your John Deere dealer.

There can be additional safety information contained on parts and components sourced from suppliers that is not reproduced in this operator's manual.

Learn how to operate the machine and how to use controls properly. Do not let anyone operate without instruction.

Keep your machine in proper working condition. Unauthorized modifications to the machine may impair the function and/or safety and affect machine life.



TS201—UN—15APR13

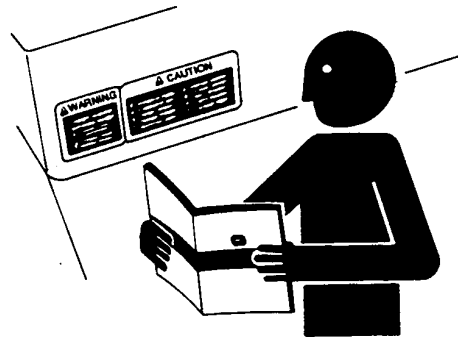
If you do not understand any part of this manual and need assistance, contact your John Deere dealer.

DX,READ -19-16JUN09-1/1

## Replace Safety Signs

Replace missing or damaged safety signs. Use this operator's manual for correct safety sign placement.

There can be additional safety information contained on parts and components sourced from suppliers that is not reproduced in this operator's manual.



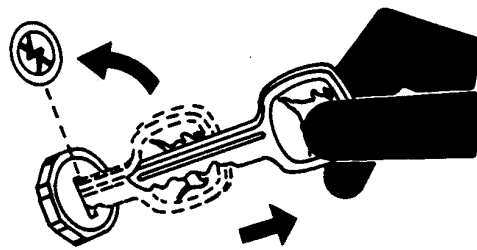
TS201—UN—15APR13

DX,SIGNS -19-18AUG09-1/1

## Park Machine Safely

Before working on the machine:

- Lower all equipment to the ground.
- Stop the engine and remove the key.
- Disconnect the battery ground strap.
- Hang a "DO NOT OPERATE" tag in operator station.



TS230—UN—24MAY89

DX,PARK -19-04JUN90-1/1

### Avoid High-Pressure Fluids

Inspect hydraulic hoses periodically – at least once per year – for leakage, kinking, cuts, cracks, abrasion, blisters, corrosion, exposed wire braid or any other signs of wear or damage.

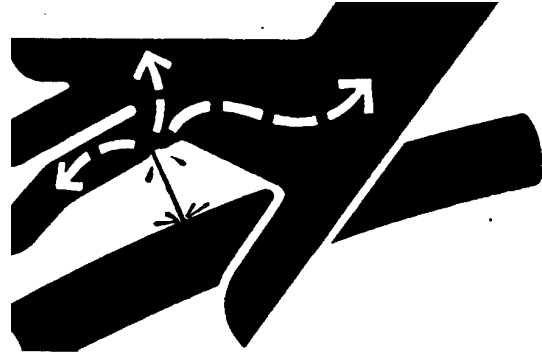
Replace worn or damaged hose assemblies immediately with John Deere approved replacement parts.

Escaping fluid under pressure can penetrate the skin causing serious injury.

Avoid the hazard by relieving pressure before disconnecting hydraulic or other lines. Tighten all connections before applying pressure.

Search for leaks with a piece of cardboard. Protect hands and body from high-pressure fluids.

If an accident occurs, see a doctor immediately. Any fluid injected into the skin must be surgically removed within a few hours or gangrene may result. Doctors unfamiliar

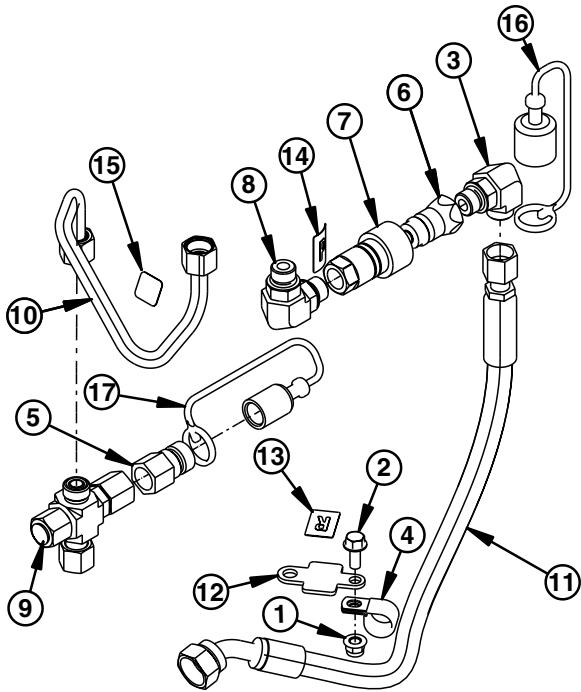


with this type of injury should reference a knowledgeable medical source. Such information is available in English from Deere & Company Medical Department in Moline, Illinois, U.S.A., by calling 1-800-822-8262 or +1 309-748-5636.

X9811—UN—23AUG88

DX,FLUID -19-12OCT11-1/1

**Parts List**



PY46368—UN—28SEP17

Item	Part Number	Description	Quantity
1	14M7396	Nut M8	1
2	19M7866	Screw M8	1
3	61H1005	90° Elbow W/O-Ring Fitting	1
4	AH78237	Hose Clamp	1
5	AM105467	Quick Connect Coupler	1
6	AR94522	Male Hydraulic Quick Connect Coupler	1
7	LVA13231	1/2 in. Hydraulic Quick Connect Coupler	1
8	LVA19764	90° Elbow Fitting	1
9	LVA19833	Cross Fitting	1
10	LVA19923	Hydraulic Line (3rd SCV to Tank)	1
11	LVA22641	PBY Hose	1
12	LVU28602	Plate	1
13	LVU28603	Power Beyond Coupler Label	3
14	LVU28604	Power Beyond Coupler Label	1
15	LVU32042	Return Line, Power Beyond Label	1
16	W42411	Dust Black Cap	1
17	W42990	Dust Black Cap	1

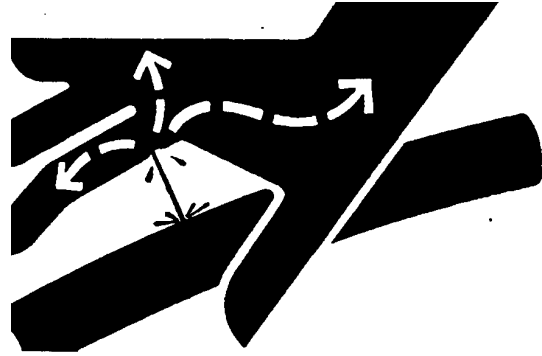
PR59899,00003E7 -19-28SEP17-1/1

## Prepare Machine

**⚠ CAUTION:** Escaping fluid under pressure can penetrate the skin, causing serious injury. Avoid the hazard by relieving pressure before disconnecting hydraulic or other lines. Tighten all connections before applying pressure. Search for leaks with a piece of cardboard. Protect hands and body from high-pressure fluids.

If an accident occurs, see a doctor immediately. Any fluid injected into the skin must be surgically removed within a few hours or gangrene may result. Doctors unfamiliar with this type of injury should reference a knowledgeable medical source. Such information is available from Deere & Company Medical Department in Moline, Illinois, U.S.A.

*NOTE: Retain all parts and hardware and return to customer unless specified differently in the procedure.*



Escaping Fluid

1. Place wheel chocks or wood blocks in front of and behind wheels.
2. Relieve pressure from the hydraulic system by lowering the rockshaft and moving the SCV lever through all positions.

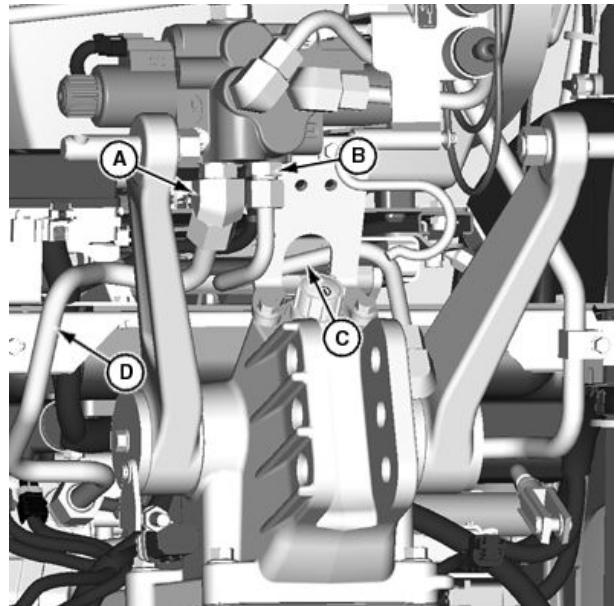
PR59899,00003E3 -19-28SEP17-1/2

X9811—UN—23AUG88

3. Remove and discard hydraulic oil lines (C and D).
4. Remove straight fitting (B) from EH valve and save fitting for reinstallation.
5. Remove and discard 45° elbow fitting (A).

A—45° Elbow Fitting  
B—Straight Fitting

C—Hydraulic Oil Line  
D—Hydraulic Oil Line



PR59899,00003E3 -19-28SEP17-2/2

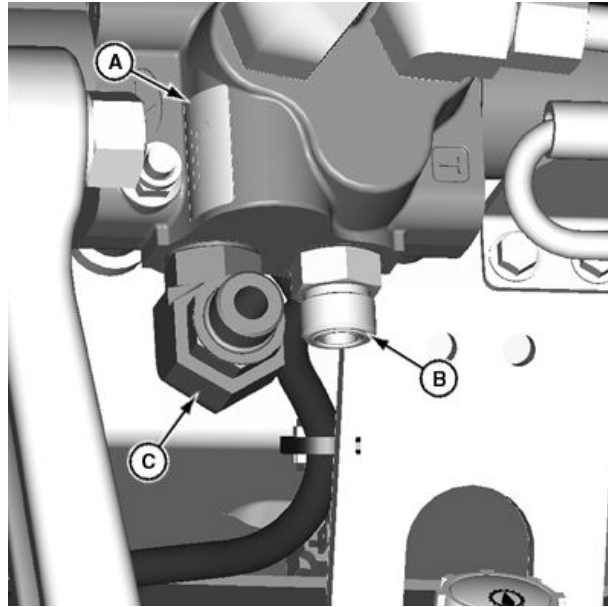
LV22172—UN—19JUN14

## Assemble Hydraulic Hose

**NOTE:** Assemble and torque hydraulic lines and fittings as per JDV 14.1. Make sure that adapter O-rings and face seals are properly installed. Inspect the fitting sealing surfaces and O-ring. They must be free of dirt or defects. Lubricate O-rings and install into groove using petroleum jelly to hold in place.

1. Clean area with rubbing alcohol and apply pressure port label (A).
2. Install 90° elbow fitting (C) into EH valve with port facing rear of tractor. Tighten to specification.
3. Install straight fitting (B) into EH valve. Tighten to specification.

**A**—Pressure Port Label (Item 14 on Parts List)  
**B**—Straight Fitting  
**C**—90° Elbow Fitting (Item 8 on Parts List)

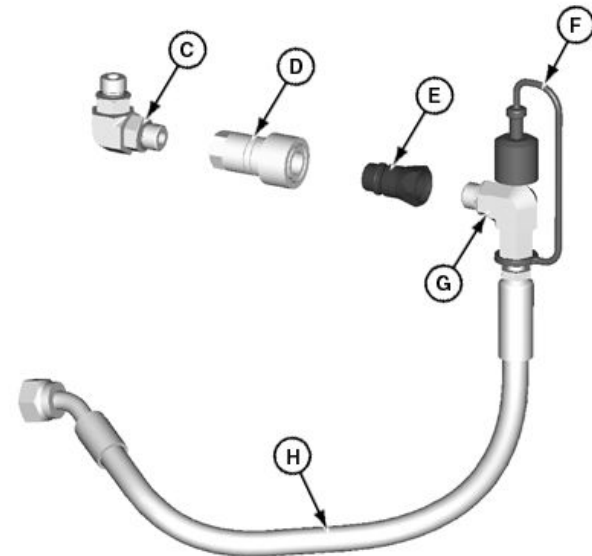


LV22173 —UN—19JUN14

PR59899,00003E4 -19-28SEP17-1/3

4. Install 1/2 in. female hydraulic quick connect coupler (D) to the 90° elbow fitting (C).
5. Install dust cap (F) on the straight end of the hydraulic hose (H).
6. Install 90° elbow fitting (G) to the straight end of the hydraulic hose (H).
7. Install 1/2 in. male hydraulic quick connect coupler (E) to the 90° elbow fitting (G).
8. Connect hydraulic couplers.

**C**—90° Elbow Fitting (Item 8 on Parts List)  
**D**—Female Hydraulic Quick Connect Coupler (Item 7 on Parts List)  
**E**—Male Hydraulic Quick Connect Coupler (Item 6 on Parts List)  
**F**—Dust Cap (Item 16 on Parts List)  
**G**—90° Elbow Fitting (Item 3 on Parts List)  
**H**—Hydraulic Hose (Item 11 on Parts List)



LV22175 —UN—19JUN14

Continued on next page

PR59899,00003E4 -19-28SEP17-2/3



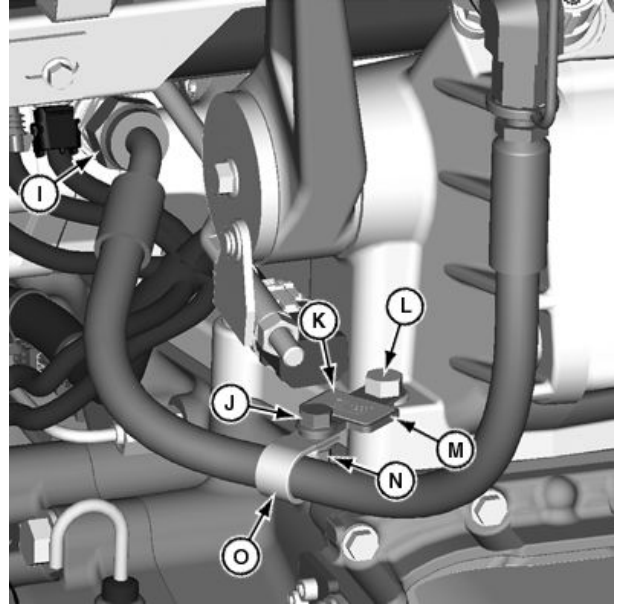
**IMPORTANT:** Make sure that the hydraulic hose is not interfering with the movement of the rockshaft position feedback link.

9. Connect hydraulic hose (I) to port on rockshaft.
10. Remove cap screw (L) and install plate (M) at 45° angle. Install cap screw.

**NOTE:** Do not allow hose to twist when tightening fittings. If needed, loosen nut to hose at rockshaft port and readjust hose.

11. Install hose clamp (O) onto hydraulic hose and attach hose clamp to plate using cap screw (J) and lock nut (N).
12. Clean area off with rubbing alcohol and apply return port label (K).

- |   |                                     |
|---|-------------------------------------|
| I—Hydraulic Hose (Item 11 on Parts List)    | M—Plate (Item 12 on Parts List)     |
| J—Cap Screw (Item 2 on Parts List)          | N—Lock Nut (Item 1 on Parts List)   |
| K—Return Port Label (Item 13 on Parts List) | O—Hose Clamp (Item 4 on Parts List) |
| L—Cap Screw                                 |                                     |



LV22176 —UN—19JUN14

PR59899,00003E4 -19-28SEP17-3/3

## Install Hydraulic Lines

**NOTE:** Assemble and torque oil lines and hydraulic fittings as per JDV 14.1. Make sure that adapter O-rings and face seals are properly installed. Inspect the fitting sealing surfaces and O-ring. They must be free of dirt or defects. Lubricate O-rings and install into groove using petroleum jelly to hold in place.

Some parts have been removed for picture clarity.

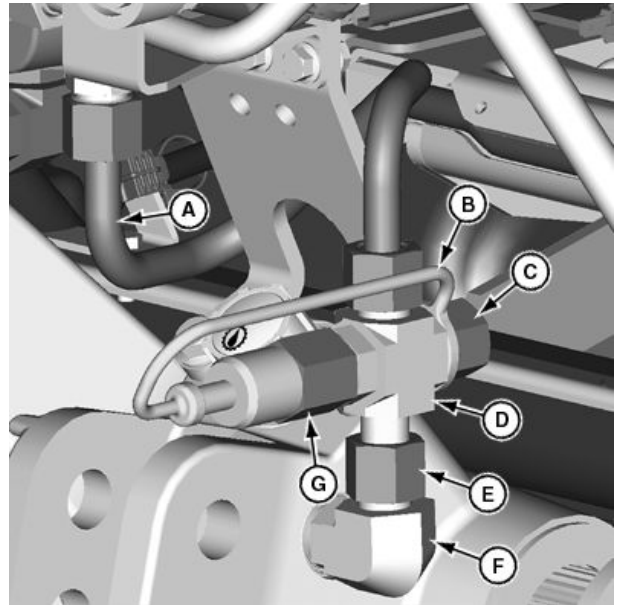
1. Rotate 90° elbow fitting (F) so that the port opening is facing up.

**NOTE:** The 13/16 in. threads should be facing the front of the machine and the 3/4 in. threads facing the rear.

2. Install cross fitting (D) to 90° elbow fitting (F).
3. Install dust cap (B) and cap fitting (C).
4. Install male hydraulic quick connect coupler (G).

**NOTE:** Rotate elbow fitting as needed to make connection.

5. Connect hydraulic line (A) between EH valve and cross fitting (D).



- |  |   |
|--|---|
| A—Hydraulic Line (Item 10 on Parts List) | E—Swivel Fitting  |
| B—Dust Cap (Item 17 on Parts List)       | F—90° Elbow Fitting   |
| C—Cap Fitting                            | G—Male Hydraulic Quick Connect Coupler (Item 5 on Parts List) |
| D—Cross Fitting (Item 9 on Parts List)   |   |

LV22181 —UN—19JUN14

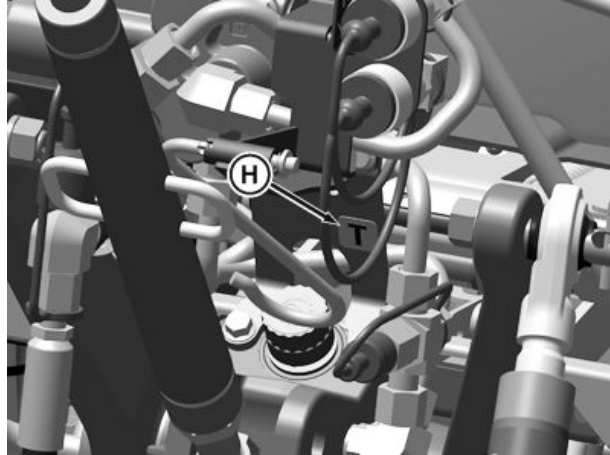
Continued on next page

PR59899,00003E5 -19-28SEP17-1/2

*NOTE: Install language appropriate CAUTION label.*

6. Install power beyond return line label (H) on 3rd SCV bracket as shown.
7. Bleed hydraulic system. See Hydraulic System Bleed Procedure in the technical manual.

**H—Power Beyond Return Line Label (Item 15 on Parts List)**



PY41293 —UN—28SEP17

PR59899,00003E5 -19-28SEP17-2/2

## Using Power Beyond

### Attachment Installed to Power Beyond

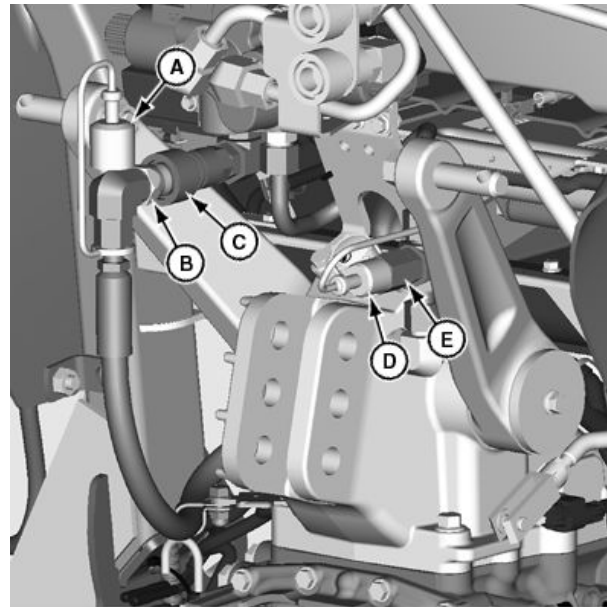
1. Disconnect male coupler (B).
2. Install dust cap (A) to male coupler (B).
3. Connect male coupler from attachment to female coupler (C).
4. Remove dust cap (D).
5. Connect female coupler from attachment to male coupler (E).

### Attachment Not Installed to Power Beyond

**IMPORTANT: Prevent overheating of the hydraulic system and damage to other internal hydraulic components.**

- Read instructions before operating.
- When not using the power beyond for operating a rear implement, the hydraulic hose end with the male quick coupler must be connected to the female quick coupler.

1. Connect male coupler (B) to female coupler (C).
2. Install dust cap (D) on male coupler (E) when not in use.



LV22184 —UN—25JUN14

**A—Dust Cap  
B—Male Coupler  
C—Female Coupler**

**D—Dust Cap  
E—Male Coupler**

PR59899,00003E6 -19-28SEP17-1/1



