

ROPS BRUSH GUARD KIT

BLV10620



JOHN DEERE

INSTALLATION INSTRUCTIONS

LVU28714 27MAR14 (ENGLISH)

John Deere Augusta Works
LVU28714 (27MAR14)

PRINTED IN U.S.A.
COPYRIGHT © 2013
DEERE & COMPANY
Moline, Illinois

All rights reserved.
A John Deere ILLUSTRATION © Manual

LVU28714-19-27MAR14

Introduction

IMPORTANT: Read through this instruction thoroughly and familiarize yourself with the tractor before installing parts.

UP00731,0000042 -19-11JUL13-1/1

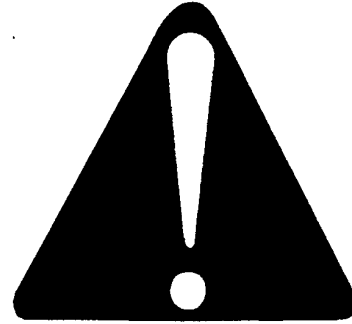
Recognize Safety Information

CAUTION: To prevent bodily injury, machine damage, or component failure:

- Use proper tools for the job.
- Do not take shortcuts; follow procedure as listed.
- Read and heed all **WARNINGS** placed within instructions.

This is a safety-alert symbol. When you see this symbol on your machine or in this manual, be alert to the potential for personal injury.

Follow recommended precautions and safe operating practices.



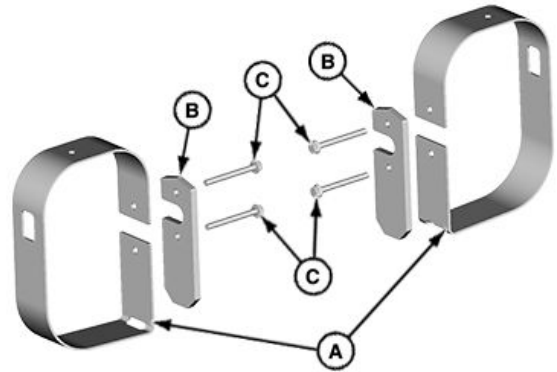
T81389—UN—28JUN13

OUO1023,00038D7 -19-09APR13-1/1

Parts List

Quantity	Description
2	Lamp Guard Bracket (A)
2	Spacers (Required for 3R with 1 Rear EH Valve installed and 4R without Dual Rear SCV only) (B)
4	Screw, Hex M8x1.25 (Required for 3R with 1 Rear EH Valve installed and 4R without Dual Rear SCV only) (C)

NOTE: File these installation instructions with your machine operator's manual for future reference.



LV21346—UN—18MAR14

UP00731,000017C -19-25MAR14-1/1

Parking Safely

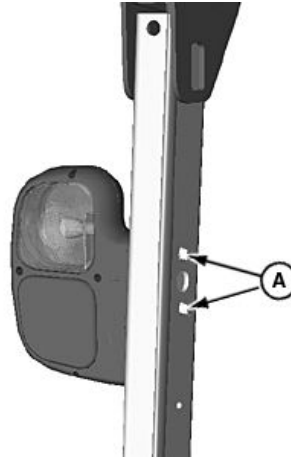
1. Stop machine on a level surface.
2. Disengage PTO and stop attachments.
3. Lower attachments to the ground.
4. Lock park brake.
5. Stop engine.
6. Remove key.
7. Wait for engine and all moving parts to stop before you leave the operator station.
8. Close fuel shutoff valve if your machine is equipped.
9. Disconnect the negative (–) battery cable before servicing the machine.

OUO1023,00038D9 -19-09APR13-1/1

Install Brush Guard Kit

1. Remove capscrews (A).

A—Hex Head Screws



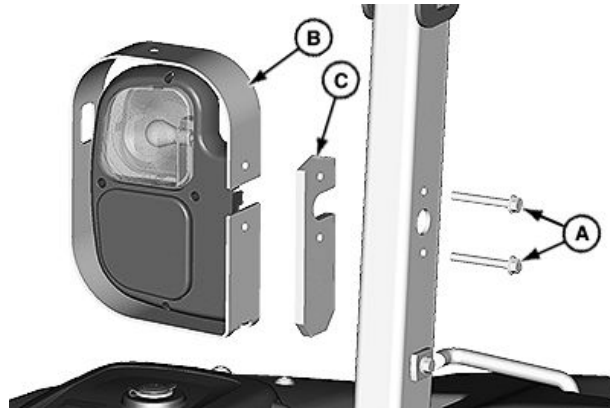
LV18247—UN—10JUL13

UP00731.000017B -19-25MAR14-1/2

2. Install bracket (B) between each light assembly and the ROPS.
 - Additional spacer is required for 3R tractors equipped with 1 Rear EH Valve and for 4R tractors without Dual Rear. Install spacer (C) between bracket and ROPS.
3. Fasten bracket (B) and each light assembly to the ROPS with hex head screws (A). For 3R equipped with 1 Rear EH Valve and 4R without Dual Rear SCV, use the M8x1.25x80 hex head screws supplied with the kit.

A—Hex Head Screws
B—Bracket

C—Spacer (For 3R with 1 Rear
EH Valve and 4R without
Dual Rear)



LV21345—UN—18MAR14

UP00731.000017B -19-25MAR14-2/2