

# Engine Heater Kit

BLV10640



**JOHN DEERE**

## INSTALLATION INSTRUCTIONS

LVU29395 16APR19 (ENGLISH)

1023E, 1025R, 1026R, 2025R, 2027R, 2032R, 2038R,  
3025D, 3025E, 3032E, 3035D, 3036E, 3038E, 3033R,  
3038R, 3039R, 3043D, 3045R, 3046R, 4044M, 4044R,  
4049M, 4049R, 4052M, 4052R, 4066M, 4066R

**John Deere Augusta Works**  
**LVU29395 (16APR19)**

PRINTED IN U.S.A.  
COPYRIGHT © 2019  
DEERE & COMPANY  
Moline, Illinois

All rights reserved.  
A John Deere ILLUSTRATION™ Manual  
Previous Editions  
Copyright © 2014, 2014, 2016, 2018

LVU29395-19-16APR19



## Introduction

**IMPORTANT:** Read through this instruction thoroughly and familiarize yourself with the tractor before installing parts.

This instruction demonstrates procedures for installing the LVU29395 Engine Coolant Heater Kit on the 1 Series, 2 Series, 3 Series, and 4 Series tractors.

KN52281,1004DC1 -19-21AUG14-1/1

## Recognize Safety Information

This is a safety-alert symbol. When you see this symbol on your machine or in this manual, be alert to the potential for personal injury.

Follow recommended precautions and safe operating practices.



T81389—UN—28JUN13

DX,ALERT -19-29SEP98-1/1

## Understand Signal Words

**DANGER;** The signal word DANGER indicates a hazardous situation which, if not avoided, will result in death or serious injury.

**WARNING;** The signal word WARNING indicates a hazardous situation which, if not avoided, could result in death or serious injury.

**CAUTION;** The signal word CAUTION indicates a hazardous situation which, if not avoided, could result in minor or moderate injury. CAUTION may also be used to alert against unsafe practices associated with events which could lead to personal injury.

A signal word—DANGER, WARNING, or CAUTION—is used with the safety-alert symbol. DANGER identifies the most serious hazards. DANGER or WARNING safety signs are located near specific hazards. General



**▲ WARNING**

**▲ CAUTION**

precautions are listed on CAUTION safety signs. CAUTION also calls attention to safety messages in this manual.

TS187—19—30SEP88

DX,SIGNAL -19-05OCT16-1/1

## Follow Safety Instructions

Carefully read all safety messages in this manual and on your machine safety signs. Keep safety signs in good condition. Replace missing or damaged safety signs. Be sure new equipment components and repair parts include the current safety signs. Replacement safety signs are available from your John Deere dealer.

There can be additional safety information contained on parts and components sourced from suppliers that is not reproduced in this operator's manual.

Learn how to operate the machine and how to use controls properly. Do not let anyone operate without instruction.

Keep your machine in proper working condition. Unauthorized modifications to the machine may impair the function and/or safety and affect machine life.



TS201—UN—15APR13

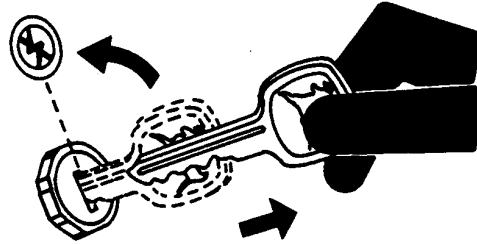
If you do not understand any part of this manual and need assistance, contact your John Deere dealer.

DX,READ -19-16JUN09-1/1

## Park Machine Safely

Before working on the machine:

- Lower all equipment to the ground.
- Stop the engine and remove the key.
- Disconnect the battery ground strap.
- Hang a "DO NOT OPERATE" tag in operator station.

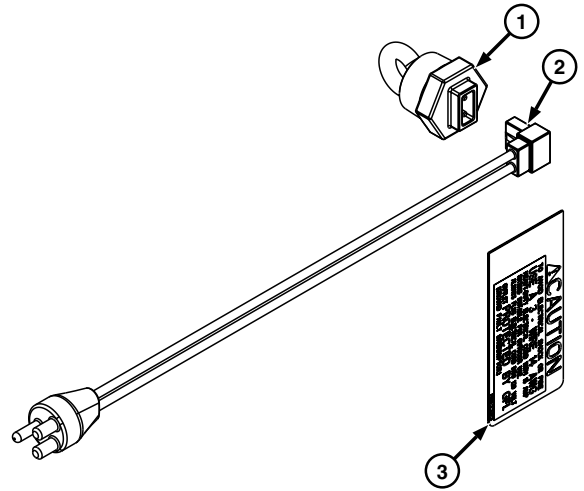


TS230—UN—24MAY89

DX,PARK -19-04JUN90-1/1

### Parts List

Item	Description	Quantity
1	Coolant Heater	1
2	Coolant Heater Power Cord	1
3	Caution Label	1



LV22828—UN—19AUG14

KN52281,1004DC2 -19-20AUG14-1/1

## Prepare Tractor

1. Park tractor on level surface and engage park brake.
2. Turn front wheels to the right.
3. Turn off engine and remove key.
4. Place wheel chocks or wood blocks in front of and behind rear wheels.
5. Raise hood.

**CAUTION:** Keep all sparks and flames away from batteries, as gas given off by electrolyte is explosive. To avoid sparks, connect ground cable last and disconnect it first.

To avoid shocks and burns, disconnect battery ground cable before servicing any part of electrical system.

6. Disconnect negative (—) battery cable first, then positive (+) battery cable.

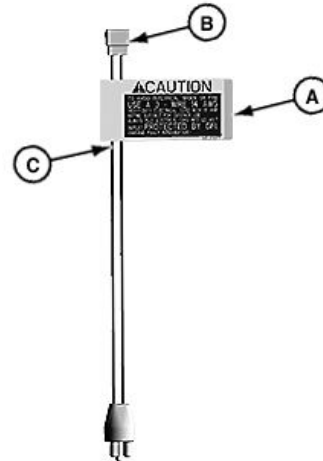
**CAUTION:** Explosive release of fluids from pressurized cooling system can cause serious burns.

Shut off engine. Only remove filler cap when cool enough to touch with bare hands. Slowly loosen cap to first stop to relieve pressure before removing completely.

7. Drain coolant from radiator and engine.

### Prepare Coolant Heater Power Cord

*NOTE: Coolant heater caution label is 2 sided. Wrap it around the cord to attach.*



A—Caution Label  
B—Coolant Heater Power Cord  
C—Position

1. Attach caution label (A) on coolant heater power cord (B) at position (C).
2. Set aside.

KN52281,1004DCF -19-21AUG14-1/1

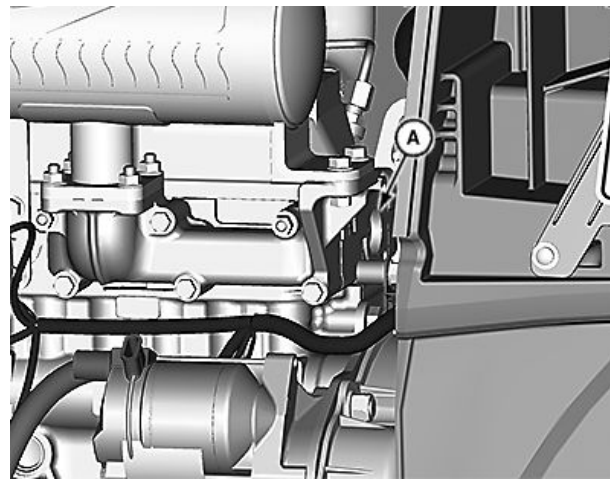
LV22831—UN—19AUG14

## Engine Heater Installation—1023E Series

*NOTE: Part MIA881629 (engine block heater adapter) is required to complete this installation.*

1. Remove left side engine panel.
2. Locate and remove the plug (A) at the rear of the engine block.

A—Plug



Continued on next page

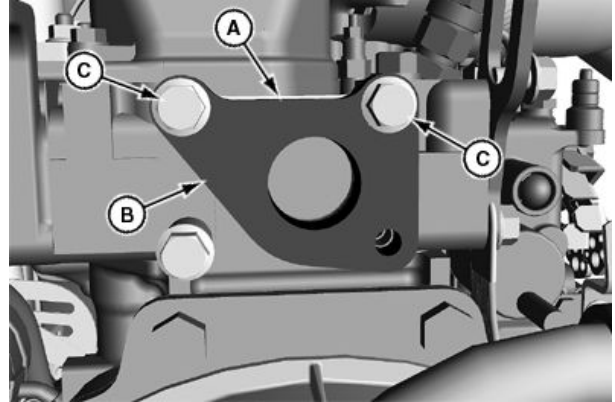
UP00731,00002CE -19-05JAN18-1/3

LV22840—UN—19AUG14

*NOTE: Parts used on this step are from MIA881629.*

- Place gasket (A) between the heater adapter (B) and engine block. Install two cap screws (C).

A—Gasket  
 B—Heater Adapter  
 C—Cap Screw (2 used)



LV22841—UN—20AUG14

UP00731,00002CE -19-05JAN18-2/3

*NOTE: Lubricate O-ring on the coolant heater before installation.*

*NOTE: Be sure to prevent coolant heater element from contacting the engine block.*

- Insert coolant heater (A) through the heater adapter (B). Tighten to specification.

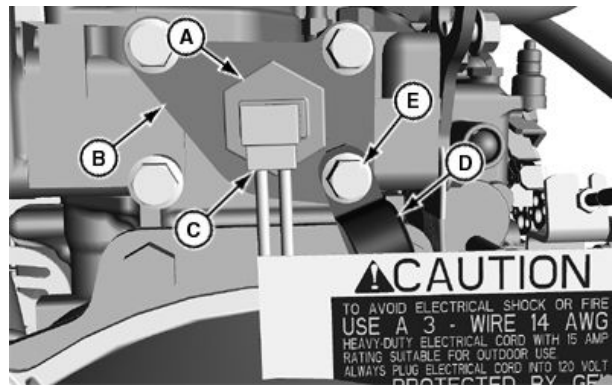
**Specification**

Coolant Heater—Torque..... 75 +/- 15 N·m  
 55 +/- 11 lb-ft

- Connect coolant heater power cord (C) to coolant heater (A).
- Route cable through clamp (D) and install cap screw (E). Tighten cap screws to specification.

**Specification**

Cap Screw—Torque.....40 N·m  
 30 lb-ft



A—Coolant Heater  
 B—Heater Adapter  
 C—Coolant Heater Power Cord  
 D—Clamp  
 E—Cap Screw



LV22842—UN—20AUG14

- Fill radiator with engine coolant.
- Check for leaks.

- Install engine side panel.

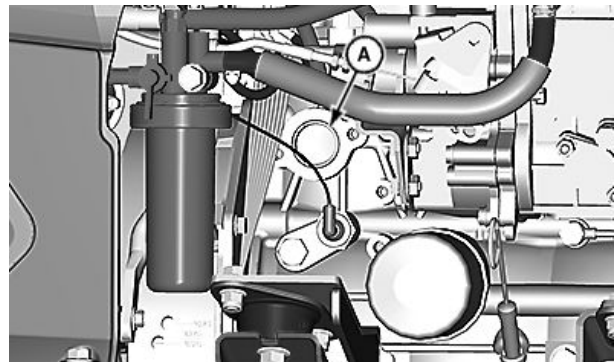
UP00731,00002CE -19-05JAN18-3/3

**Engine Heater Installation—1025R, 1026R, 2025R, 2026R**

*NOTE: Part AM134805 (engine block heater adapter) is required to complete this installation.*

- Remove right side engine panel.
- Locate and remove the plug (A) at the right side of the engine block.

A—Plug



LV22843—UN—19AUG14

Continued on next page

UP00731,00002CF -19-05JAN18-1/3

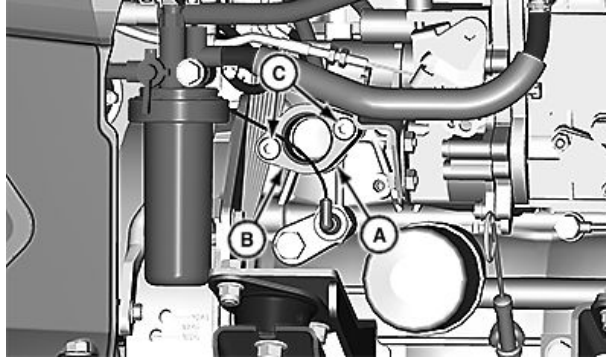
*NOTE: Parts on this step are from AM134805.*

- Place gasket (A) between the heater adapter (B) and engine block. Install cap screws (C). Tighten cap screws to specification.

**Specification**

Cap Screw—Torque..... 40 N·m (30 lb-ft)

- A—Gasket
- B—Heater Adapter
- C—Cap Screw (2 used)



LV22844 —UN—19AUG14

UP00731,00002CF -19-05JAN18-2/3

*NOTE: Lubricate O-ring on the coolant heater before installation.*

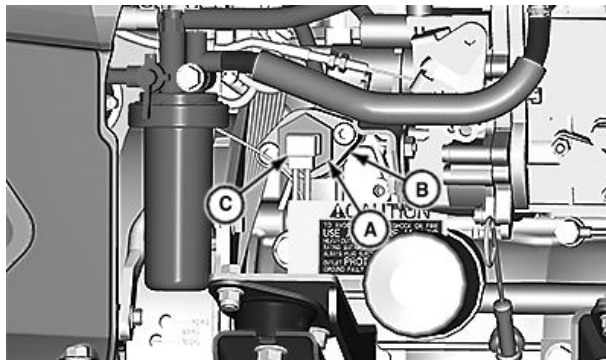
*NOTE: Be sure to prevent coolant heater element from contacting the engine block.*

- Insert coolant heater (A) through the heater adapter (B). Tighten to specification.

**Specification**

Coolant Heater—Torque..... 75 +/- 15 N·m  
55 +/- 11 lb-ft

- Connect coolant heater power cord (C) on coolant heater (A).
- Fill radiator with engine coolant.
- Check for leaks.
- Install engine side panel.



LV22845 —UN—19AUG14

- A—Coolant Heater
- B—Heater Adapter
- C—Coolant Heater Power Cord

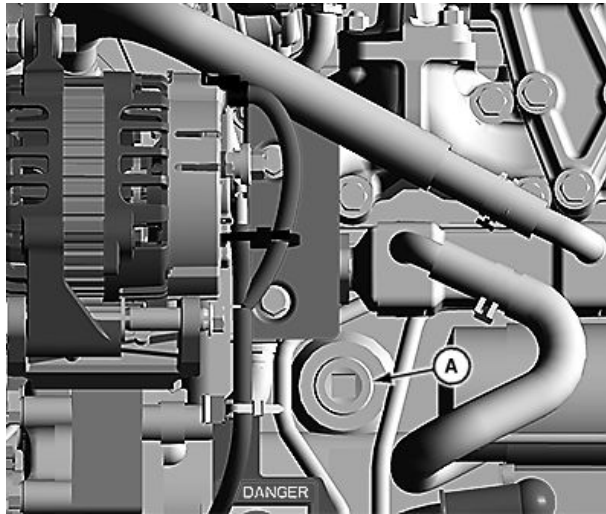
UP00731,00002CF -19-05JAN18-3/3

**Engine Heater Installation—2027R, 2032R, 2036R, 2038R, 3E Series, 3R Series and 4M/4R Series**

*NOTE: 3E series tractor shown, all others are similar.*

- Remove left side engine panel.
- Locate and remove the plug (A) from the left side of the engine block.

- A—Plug



LV22829 —UN—19AUG14

Continued on next page

UP00731,00002CD -19-05JAN18-1/3



*NOTE: Lubricate O-ring on the coolant heater before installation.*

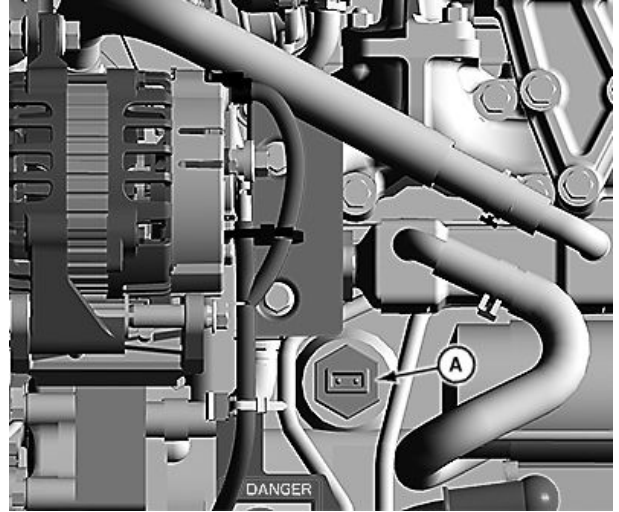
*Be sure to prevent the coolant heater from contacting the engine block.*

3. Insert coolant heater (A) through the port in the left side of the engine block. Tighten to specification.

**Specification**

Coolant Heater—Torque..... 75 +/- 15 N·m  
 55 +/- 11 lb·ft

**A—Coolant Heater**

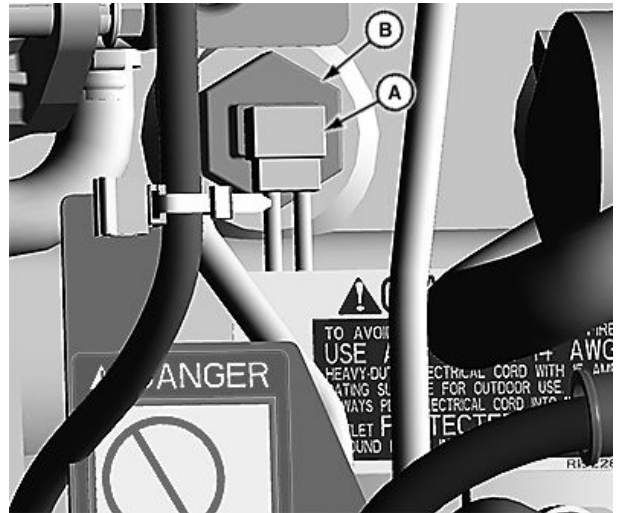


LV22830—UN—19AUG14

UP00731,00002CD -19-05JAN18-2/3

4. Connect coolant heater power cord (A) on coolant heater (B).
5. Fill radiator with engine coolant.
6. Check for leaks.
7. Install engine side panel.

**A—Coolant Heater Power Cord B—Coolant Heater**



LV22832—UN—19AUG14

UP00731,00002CD -19-05JAN18-3/3





